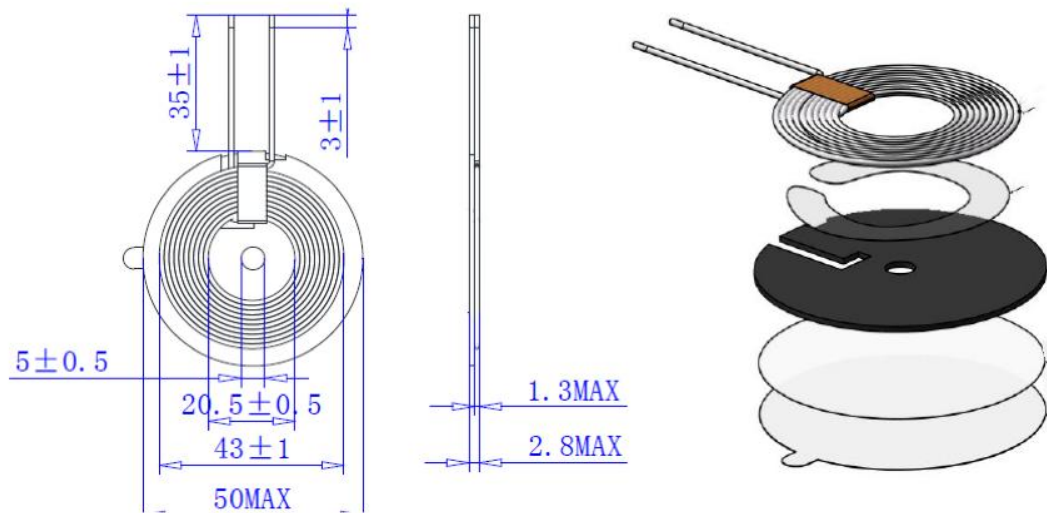


Guangdong Jinsheng intelligent Co., Ltd

SPECIFICATION FOR APPROVAL

Item description	transmitter coil
Model	20.5x0.08x105px10Tx6.3uH



number	Material name	Description	Material Code
1	wire rod	0.08*105P	
2	magnetic sheet	G50x1.0 ,external diameter50MAX, thickness1.0±0.15	
3	adhesive plaster	8MM	
4	application of gum	G48.5x0.08h	