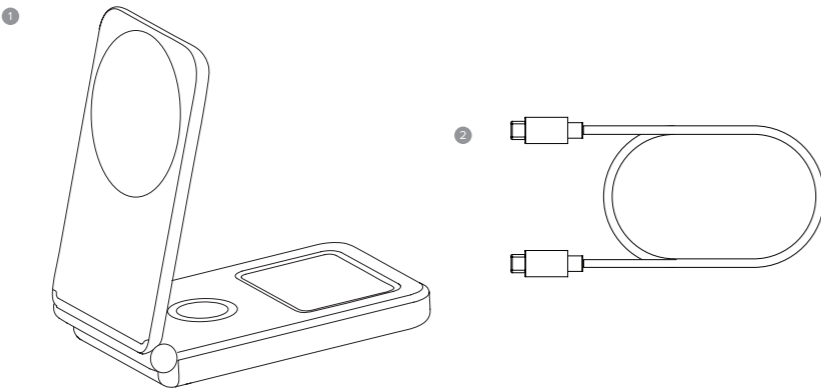
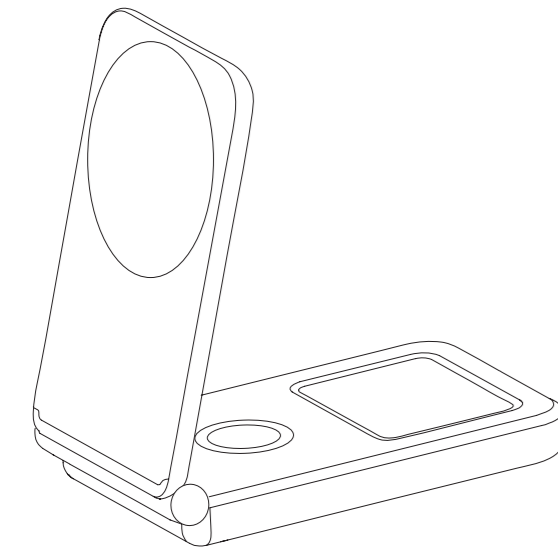


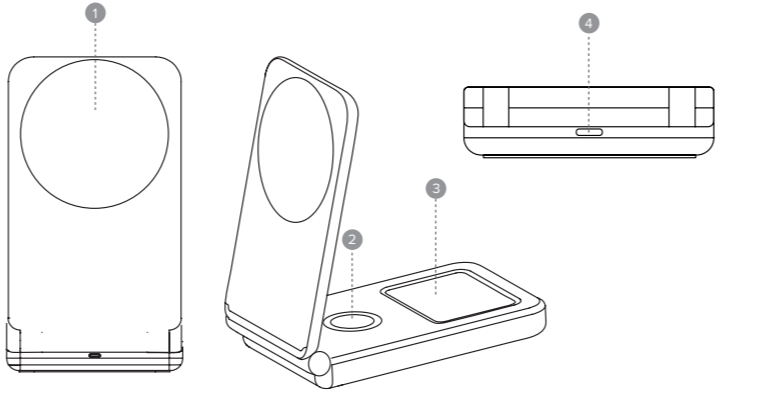


YOGA 3 in 1 Wireless Charging Stand



Package Contents

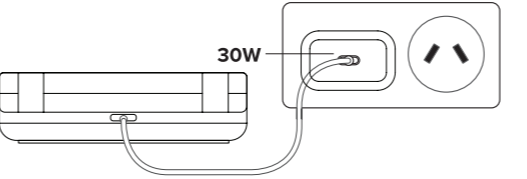
1	YOGA 3 in 1 Wireless Charging Stand
2	USB-C to USB-C Cable



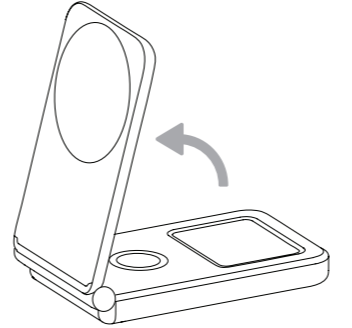
1	MagSafe-compatible Charging Surface
2	Apple Watch Charger
3	Qi/Airpods Charger
4	USB-C Power Input



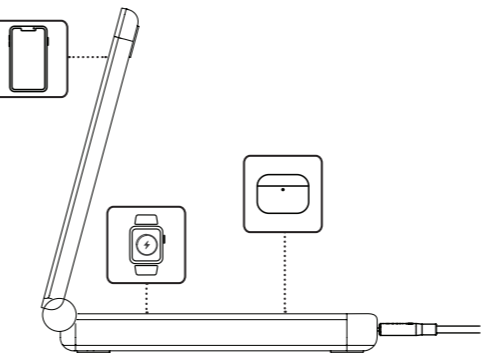
1



2



3



Specifications

Model	A31FWCBK A31FVCWH A31FWCBKAU A31FVCWHAU	
Dimensions	19mm (H) x 110mm (D) x 65mm (W) – Folded 115mm (H) x 110mm (D) x 65mm (W) – Unfolded	
Weight	173g	
Output	MagSafe-compatible Wireless Charger AirPods/Pro Charging Pad Apple Watch Charging	5W/7.5W/10W/15W (Max) 5W (Max) 1.5W (Max)
Input	5V~3A, 9V~3A	
Warranty	2 Years	

FCC Compliance Statement

This device complies with Part 15 of the FCC Rules. Operation is subject to the following two conditions:

- (1) this device may not cause harmful interference, and
- (2) this device must accept any interference received, including interference that may cause undesired operation.

Changes or modifications not expressly approved by the party responsible for compliance could void the user's authority to operate the equipment.

This equipment has been tested and found to comply with the limits for a Class B digital device, pursuant to Part 15 of the FCC Rules. These limits are designed to provide reasonable protection against harmful interference in a residential installation. This equipment generates, uses and can radiate radio frequency energy and, if not installed and used in accordance with the instructions, may cause harmful interference to radio communications. However, there is no guarantee that interference will not occur in a particular installation.

If this equipment does cause harmful interference to radio or television reception, which can be determined by turning the equipment of and on, the user is encouraged to try to correct the interference by one or more of the following measures:

- Reorient or relocate the receiving antenna.
- Increase the separation between the equipment and receiver.
- Connect the equipment into an outlet on a circuit different from that to which the receiver is connected.
- Consult the dealer or an experienced radio/TV technician for help.

FCC Radiation Exposure statement

The device has been evaluated to meet general RF exposure requirement. This equipment should be installed and operated with a minimum distance of 20 cm between the radiator and your body.

Responsible Party - U.S. Contact Information

ALOGIC USA LLC
3730 Parish Ave
Fremont CA 94536 USA

EU Declaration of Conformity

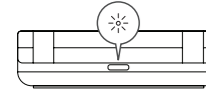
Hereby, ALOGIC Corporation declares that this product is in compliance with Directive 2014/53/EU. The full text of the EU declaration of conformity is available at the following internet address by clicking on the Compliance Documentation link: www.alogic.co



Designed in Australia. Manufactured in China

Troubleshooting

Symptom	Solution
Wireless device does not commence charging	<ul style="list-style-type: none">• Move the device slightly on the charging surface, ensuring the centre of your device is on the centre of the pad.
Wireless device stops charging before fully charged	<ul style="list-style-type: none">• Try reattaching your device to the pad to re-align it.• Ensure there are no extra objects on the charging pad – the charger will automatically shut down if so to protect your device.• Ensure that your device supports MagSafe or Qi wireless charging.• Thick cases can interfere with wireless charging – if using a case try removing your device from the case while charging.

	LED status	Device Behavior
	White LEDs	Powered on
	Breathing White	Charging
	Blinking White	Foreign object detected



EN Scan this code for
FAQs and Troubleshooting