

ZONE		REV	ECN	REVISIONS	DESCRIPTION	DATE	DRAWN	APPROVED
A		1454797		RELEASE FOR PROTOTYPE		20-JAN-22	NAGENDRA	JOHN.L
B		1455436		ORIGINAL RELEASE		04-MAR-22	NAGENDRA	JOHN.L
C		2304923		ADDED LABEL		19-MAY-22	NAGENDRA	JOHN.L

**SPECIFICATIONS:**

**ITEM ORDERING INSTRUCTIONS:**

IN ADDITION TO THIS DRAWING AND RELATED DOCUMENTS FOR ALL BOM STRUCTURE ITEMS, PROVIDE MANUFACTURING VENDOR WITH LATEST RELEASED VERSION ZIP FILE DATA CONTAINED IN THE FOLLOWING ITEMS:

TM-VD1T-499-2C, MANUFACTURING DATA

**PACKAGING INSTRUCTIONS:**

PLACE ASSEMBLED BACK CAP ITEM IN ESD BAG WITH APPROPRIATE LABELING AS SPECIFIED IN PACKAGING BOM TABLE.

SEAL ESD BAG BY FOLDING OVER TOP PORTION AND SECURE FLAP WITH ESD LABEL.

FORMAT OF THE "ESD BAG REV LABEL" SHALL BE PRODUCED PER "LABEL EXAMPLE" ILLUSTRATION. PROVIDED BELOW. NOTE: CHARACTERS ILLUSTRATED AS "X" TO BE REPLACED WITH CURRENT REVISION LEVEL.

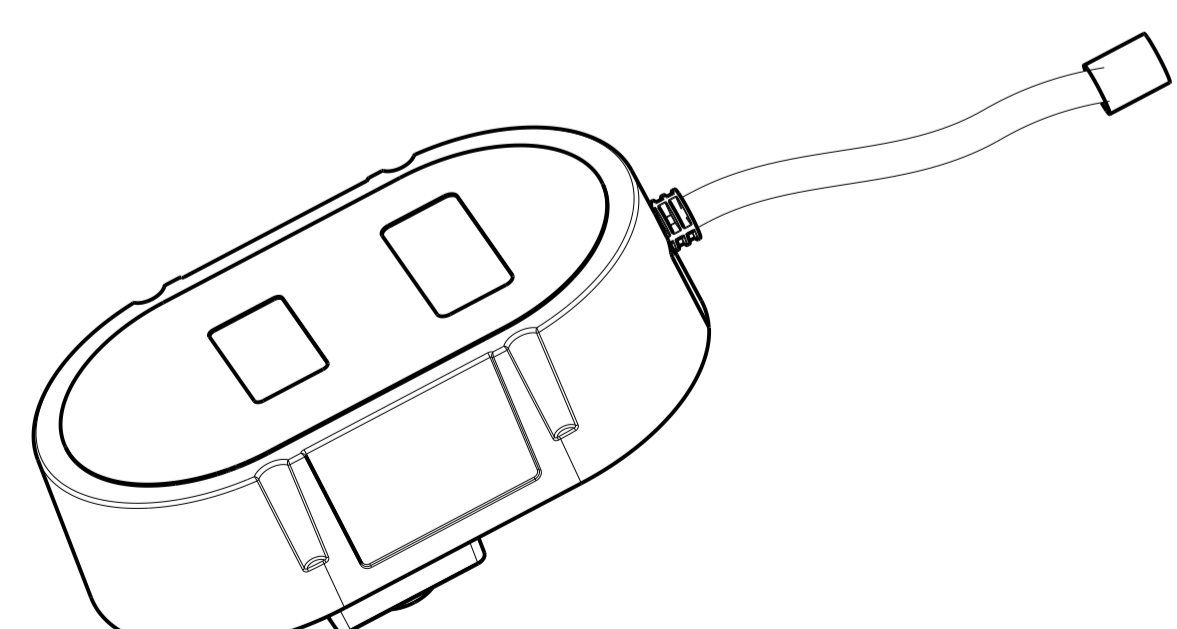
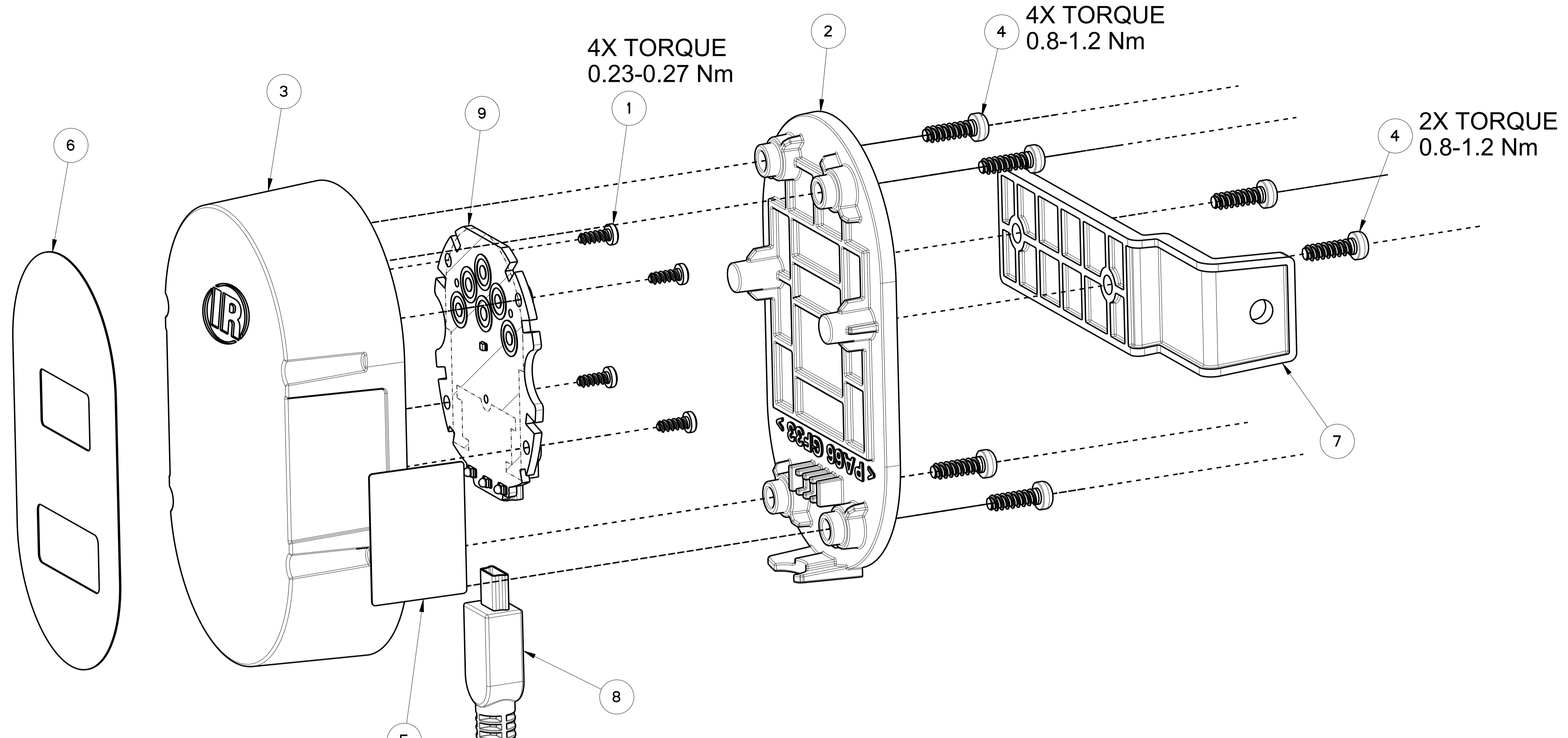
LABEL EXAMPLE:

**TA-VD1T-888-2C, REV-X**

TA-VD1T-499-2C, REV-X, LOT NO

PCBA LOT NUMBER

SOURCE CANNOT BE CHANGED WITHOUT ENGINEERING APPROVAL



**PACKAGING BOM (SUBSTITUTES ALLOWED)**

ITEM	PART NAME	DESCRIPTION	MFR NAME	PART NO.	QTY
1	ESD BAG	5" X 6" TRANSPARENT METAL-IN STATIC SHIELDING BAG	TECHNI-TOOL	295ST056	1
2	ESD LABEL	ESD SUSCEPTIBILITY SYMBOL; JEDEC/EIA471 2" X 2"	TECHNI-TOOL	758ST722	1
3	ROHS LABEL	SCC LEAD FREE LABEL, RoHS COMPLIANT, 1-3/4" X 1-3/4"	3M	80000917759	1
4	ESD BAG REV LABEL	ZEBRA (SEE LABEL EXAMPLE FOR TEXT)	ZEBRA	LV-56001, RED	1

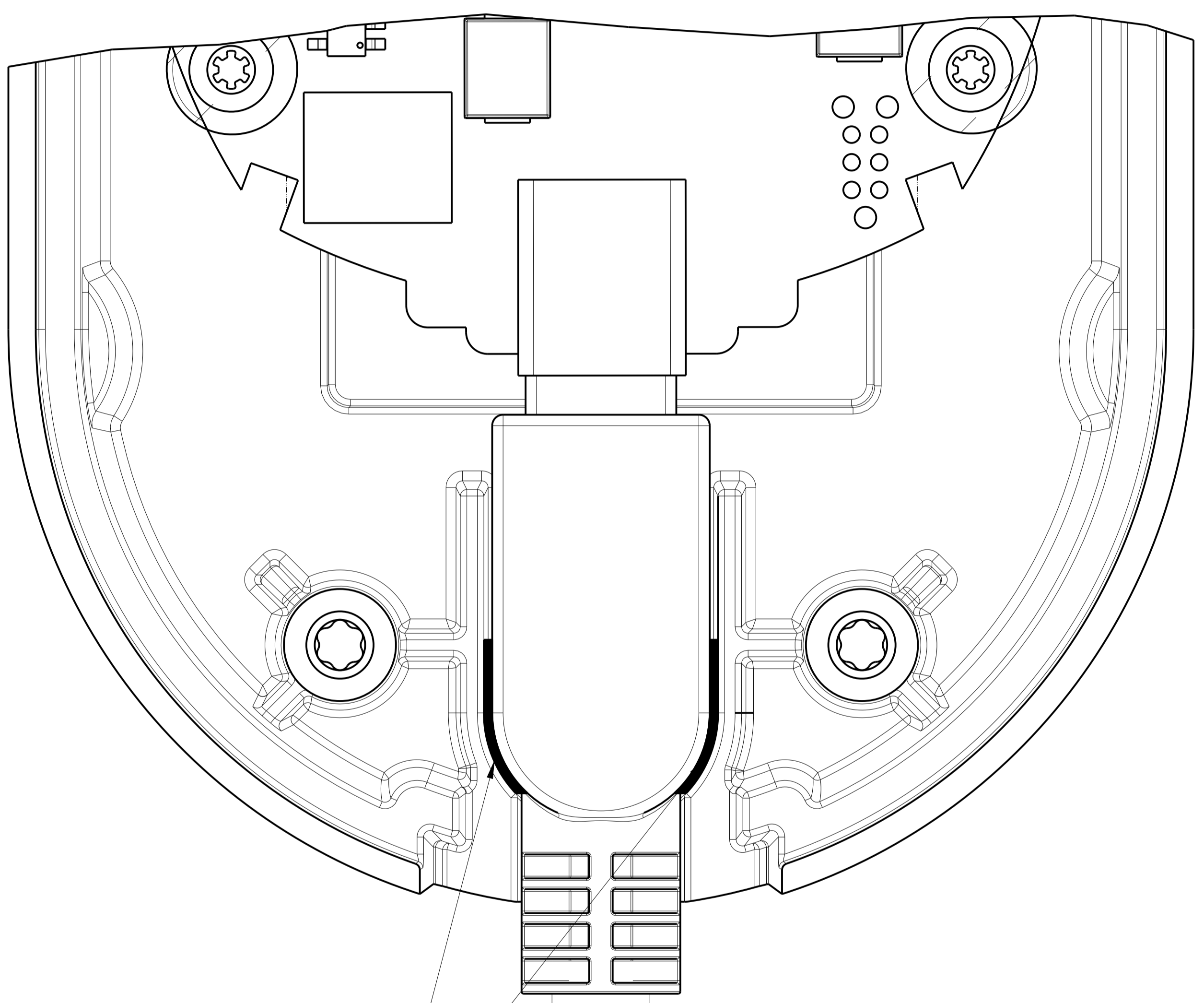
9	1	TA-VD1T-499-2C	TA-VD1T-499-2C	INSIGHT QCX RF BOARD ASSEMBLY		
8	1	QCX-CABLE-15-LUSB	QCX-CABLE-15-LUSB	INSIGHT QCX RF USB CABLE		
7	1	QCX-366-RP	QCX-366-RP	INSIGHT QCX RF MOUTING BRACKET		
6	1	QCX-301-2C	QCX-301-2C	RADIO MODULE LABEL		
5	1	QCX-300-2C	QCX-300-2C	INSIGHT QCX RF HOUSING LABEL		
4	6	QCX-78-2C	QCX-78-2C	THREAD FORMING SCREW		
3	1	QCX-40-RT	QCX-40-RT	INSIGHT QCX RADIO HOUSING TOP		
2	1	QCX-40-RB	QCX-40-RB	INSIGHT QCX RADIO HOUSING BOTTOM		
1	4	47095807	VP1-142	SCREW, M2.2 X 6		
ITEM	QTY.	PART NO.	NOMENCLATURE	DESCRIPTION	MATL.	SHT/Z

**BOM FOR TA-VD1T-888-2C**

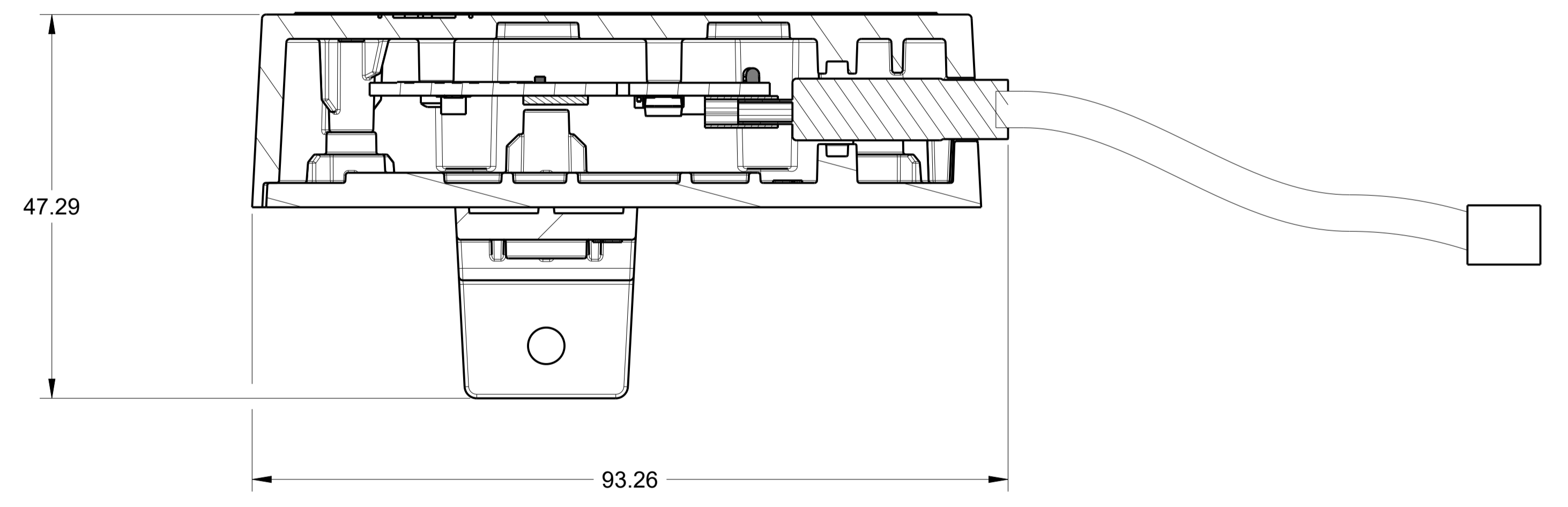
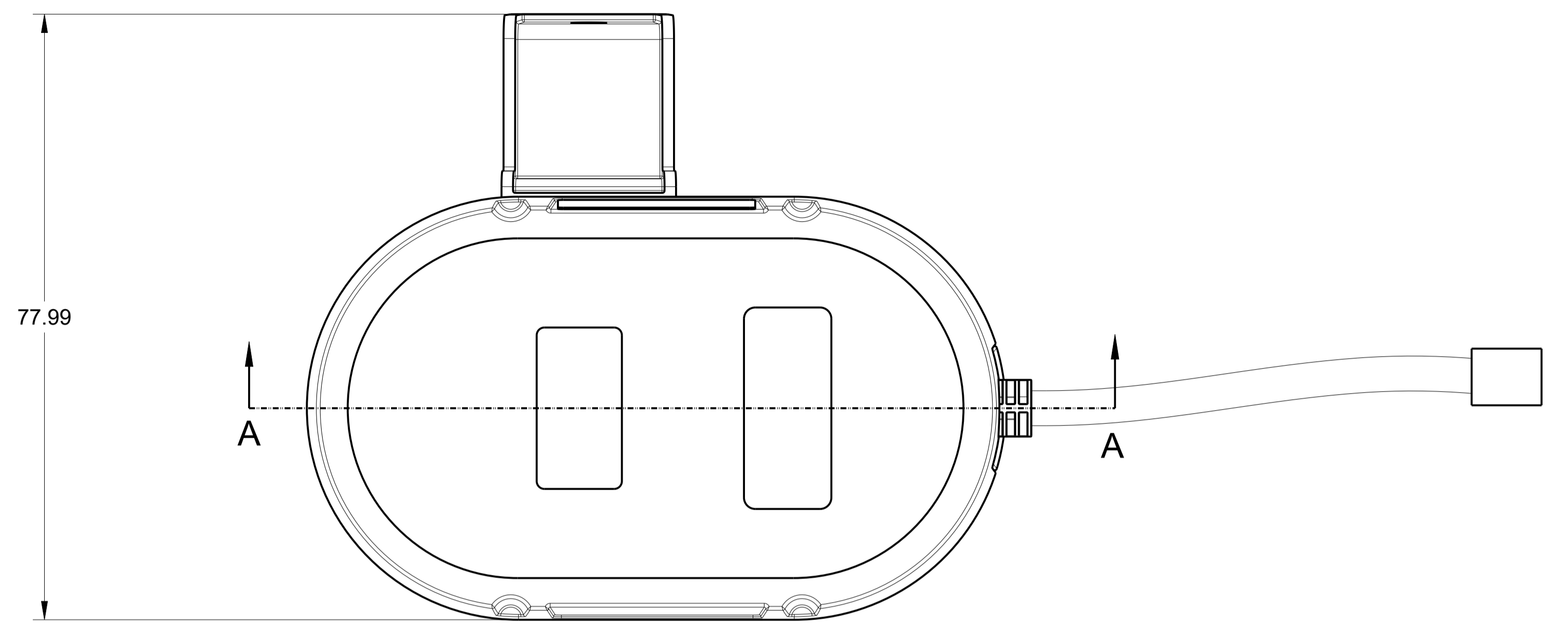
<b>STANDARD TOLERANCES</b> UNLESS OTHERWISE SPECIFIED DIMENSIONS ARE IN MILLIMETERS PER ASME Y14.5M-1994  UNSPECIFIED TOLERANCES: X +/- 1.0 XX +/- 0.5 XXX +/- 0.25 ANGLES +/- 1.0°  MACHINED SURFACES 3.2 MAX ♦ CRITICAL TO QUALITY INGERSOLL RAND - POWER TOOLS - METRIC	<b>WARNING:</b> THE EXPORT OR REEXPORT OF THIS DRAWING OR A PRODUCT PRODUCED BY THIS DRAWING IS SUBJECT TO U.S. EXPORT ADMINISTRATION REGULATIONS & OTHER APPLICABLE GOVERNMENT RESTRICTIONS OR REGULATIONS. COMPANY <b>INGERSOLL RAND</b>  <b>PROPRIETARY NOTICE:</b> THIS DRAWING CONTAINS CONFIDENTIAL AND TRADE SECRET INFORMATION. IS THE PROPERTY OF THE COMPANY., AND IS GIVEN TO THE RECEIVER IN CONFIDENCE. THE RECEIVER BY RECEPTION AND RETENTION OF THE DRAWING ACCEPTS THE DRAWING IN CONFIDENCE AND AGREES THAT, EXCEPT AS AUTHORIZED IN WRITING BY THE COMPANY, IT WILL (1) NOT USE THE DRAWING OR ANY COPY THEREOF OR THE CONFIDENTIAL OR TRADE SECRET INFORMATION THEREIN; (2) NOT COPY THE DRAWING; (3) NOT DISCLOSE TO OTHERS EITHER THE DRAWING OR THE CONFIDENTIAL OR TRADE SECRET INFORMATION THEREIN; AND (4) UPON COMPLETION OF THE NEED TO RETAIN THE DRAWING, OR UPON DEMAND, RETURN THE DRAWING, ALL COPIES THEREOF, AND ALL MATERIAL COPIED THEREFROM.	<b>DO NOT SCALE DRAWING</b> DRAWING CONFORMS TO ASME Y14.5M - 1994  CAD GENERATED DRAWING, NO MANUAL REVISIONS ALLOWED  UNLESS OTHERWISE SPECIFIED: - REMOVE ALL BURRS AND SHARP CORNERS - WELD SYMBOLS TO BE IN ACCORDANCE WITH ANSI/AWS A2.4	THIRD ANGLE PROJECTION DRAWN: NAGENDRA CHECKED: SIJI APPROVED: JOHN.L DATE: 1-20-2022 DATE: 1-20-2022 DATE: 1-20-2022 DRAWING TYPE: Detail Drawing NOMENCLATURE: TA-VD1T-888-2C	
		COPYRIGHT © 2022 ALL RIGHTS RESERVED INGERSOLL RAND	NAME: <b>INSIGHT QCX RF MODULE ASSEMBLY</b> SIZE: <b>A1</b> ESTIMATED WEIGHT (NO UNLESS OTHERWISE SPECIFIED): SCALE: 2.00 MODEL: SHEET: 1 of 2	

8 7 6 5 4 3 2 1

D  
C  
B  
A



APPLY 3M HOT MELT ADHESIVE 3748 ON THESE LOCATIONS



SECTION A-A

COMPANY INGERSOLL RAND		NAME INSIGHT QCX RF MODULE ASSEMBLY	
<small>PROPRIETARY NOTICE: THIS DRAWING CONTAINS CONFIDENTIAL AND TRADE SECRET INFORMATION IS THE PROPERTY OF THE COMPANY AND IS GIVEN TO THE RECEIVER IN CONFIDENCE. THE RECEIVER BY RECEPTION AND RETENTION OF THE DRAWING ACCEPTS THE DRAWING IN CONFIDENCE AND AGREES THAT EXCEPT AS AUTHORIZED IN WRITING BY THE COMPANY IT WILL (1) NOT COPY THE DRAWING, (2) NOT DISCLOSE TO OTHERS EITHER THE CONFIDENTIAL OR TRADE SECRET INFORMATION THEREIN, (2) NOT COPY THE DRAWING, (3) NOT DISCLOSE TO OTHERS EITHER THE CONFIDENTIAL OR TRADE SECRET INFORMATION THEREIN, AND (4) UPON COMPLETION OF THE NEED TO RETAIN THE DRAWING OR UPON DEMAND, RETURN THE DRAWING, ALL COPIES THEREOF, AND ALL MATERIAL COPIED THEREFROM.</small>			
SIZE <b>A1</b>	PART NO. <b>TA-VD1T-888-2C</b>	REVISION <b>C</b>	INGERSOLL RAND
SCALE 2.00	NOMENCLATURE TA-VD1T-888-2C	SHEET 2 OF 2	

8 7 6 5 4 3 2 1