



## Test-Setup Photos

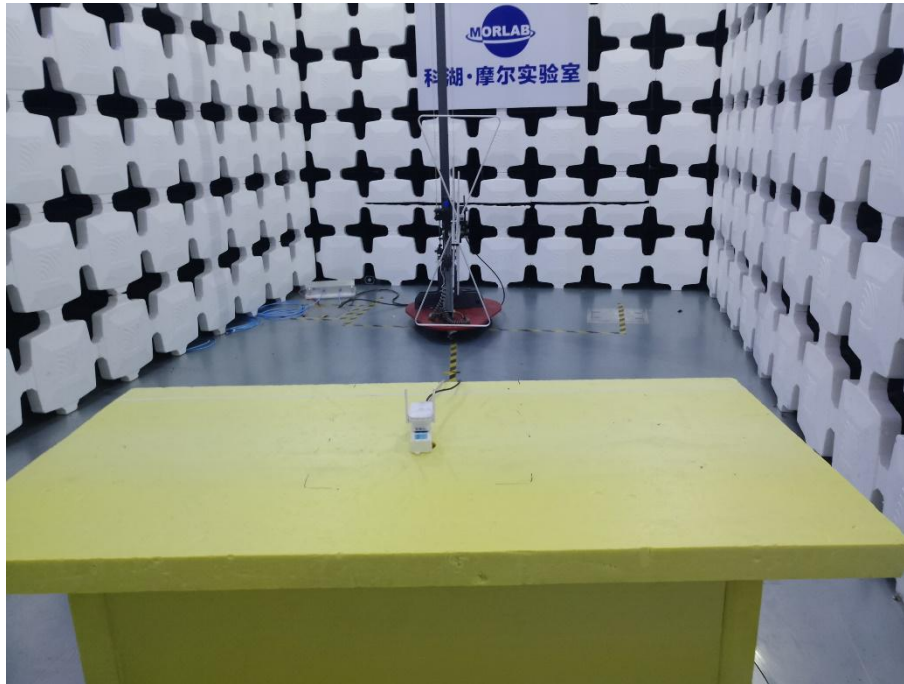
### 1. Mains Terminal Disturbance Voltage Measurement



**NOTE:** 1.The report is invalid when there is no the approver signature and the special stamp for test report. 2.The test report shall not be reproduced except in full without prior written permission of the company. 3.The report copy is invalid when there is no the special stamp for test report. 4.The altered report is invalid. 5.The entrust test is responsibility for the received sample only.



## 2. Radiated Emission (30MHz-1GHz)



## 3. Radiated Emission (above 1GHz)



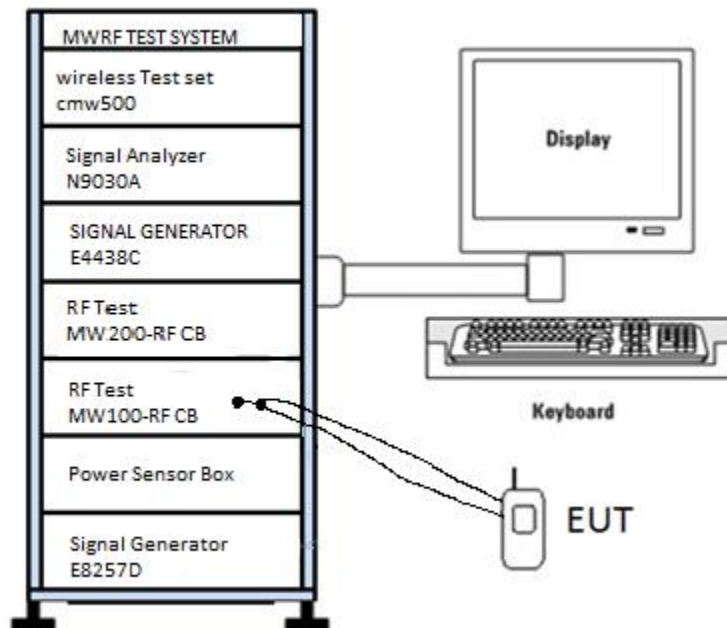
**NOTE:** 1.The report is invalid when there is no the approver signature and the special stamp for test report. 2.The test report shall not be reproduced except in full without prior written permission of the company. 3.The report copy is invalid when there is no the special stamp for test report. 4.The altered report is invalid. 5.The entrust test is responsibility for the received sample only.



#### 4. RF conducted measured



**NOTE:** 1.The report is invalid when there is no the approver signature and the special stamp for test report. 2.The test report shall not be reproduced except in full without prior written permission of the company. 3.The report copy is invalid when there is no the special stamp for test report. 4.The altered report is invalid. 5.The entrust test is responsibility for the received sample only.



**NOTE:** 1.The report is invalid when there is no the approver signature and the special stamp for test report. 2.The test report shall not be reproduced except in full without prior written permission of the company. 3.The report copy is invalid when there is no the special stamp for test report. 4.The altered report is invalid. 5.The entrust test is responsibility for the received sample only.