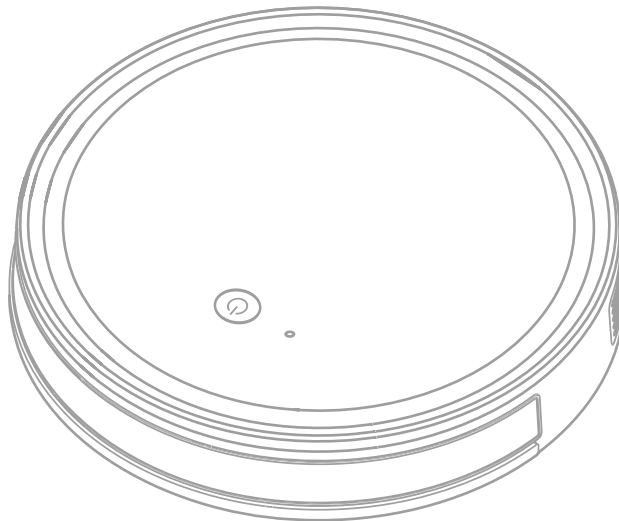


Robotic Vacuum Cleaner

# User Manual

Please read the instructions carefully before using this product and keep it properly.



Intelligent technology for professional cleaner

---

# CONTENT

<b>1.Safety Regulations</b> .....	<b>3</b>
<b>2.Product Composition</b> .....	<b>5</b>
2.1Component Name .....	5
2.2Technical Parameter .....	8
<b>3.Product Instructions</b> .....	<b>9</b>
3.1Considerations .....	9
3.2Rapid Operation .....	10
3.3Mode Selection .....	13
3.4Use of Water Permeable Rag .....	15
3.5Roller Brush Assembly and Sucking Assembly .....	16
<b>4.Maintenance</b> .....	<b>17</b>
4.1Dust Box and Filter .....	17
4.2Water Tank Assembly .....	18
4.3Rolling Brush、Suction and Side Brushes .....	19
4.4Other Assembly .....	20
<b>5.Light Effect And Alarm Tips</b> .....	<b>21</b>
5.1Light Effect .....	21
5.2Alarm Tips .....	22
<b>6.FAQ</b> .....	<b>23</b>

# 1.Safety Regulations

When using the product, please keep your vigilance and follow below information  
**Please read the manual carefully before using the product. Please keep instruction**

- 1) Products cannot be used by children under 8 years of age or people with mental disabilities. If you need to use it, please do so under the supervision of the guardian. Please do not let children ride on the product or play the product as a toy.
- 2) Problems that may arise in cleaning products should be eliminated as early as possible. Clean the power cords and small items on the floor to prevent the product from being blocked during the cleaning process. Fold the edge of the carpet to the underside of the carpet, and keep the hanging curtains, tablecloths, etc. from touching the ground.
- 3) If there is a suspended environment such as a staircase, test the product first to see if it can detect the edge of the suspended area without falling. Protective barriers should be installed at the edge of the suspended area to prevent falling products. Make sure that the protective equipment does not cause personal injury.
- 4) Please follow the manual in the instructions to use the product. Use only accessories recommended or sold by the manufacturer.
- 5) Ensure that the power supply voltage meets the voltage indicated on the cradle
- 6) Used only in indoor home environments. Do not use in outdoor, commercial or industrial locations.
- 7) Use only original rechargeable batteries and charging docks that are unique to the manufacturer. Do not use non-rechargeable batteries. For battery specifications, please refer to "Technical Data".
- 8) Ensure that dust boxes and filter materials are installed before using products.
- 9) Use of the product in an environment with open flames or fragile items is prohibited.
- 10) Do not use the product in extreme heat (above 40 ° C) or very cold (below -5 ° C).
- 11) It is forbidden to close the body's hair, clothes, fingers and other parts close to the opening and operating parts of the product.
- 12) Do not use the product in a room where infants sleep.
- 13) Do not use the product on wet or watery ground.
- 14) It is forbidden to absorb any items such as stones, waste paper and any other products that may block the product.
- 15) Do not allow the product to absorb any flammable materials such as toner, toner or toner for printers or copies. Do not use the product in a clean area with flammable materials.
- 16) Do not take any product that is burning, such as cigarettes, matches, ash, or other items that may cause a fire.

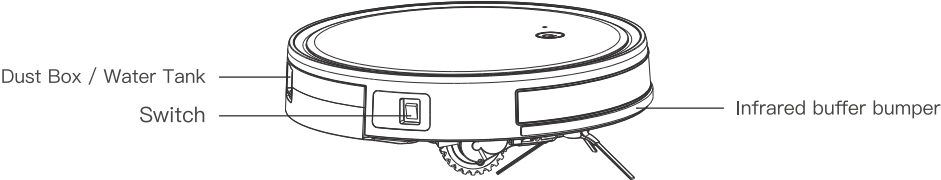
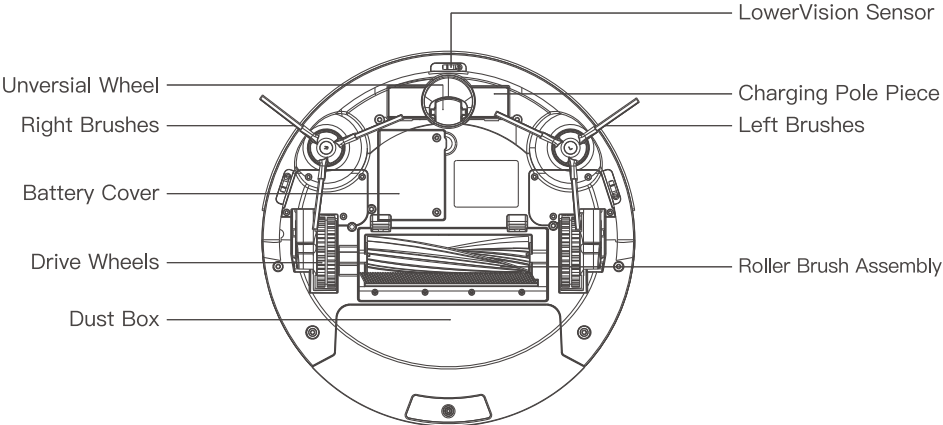
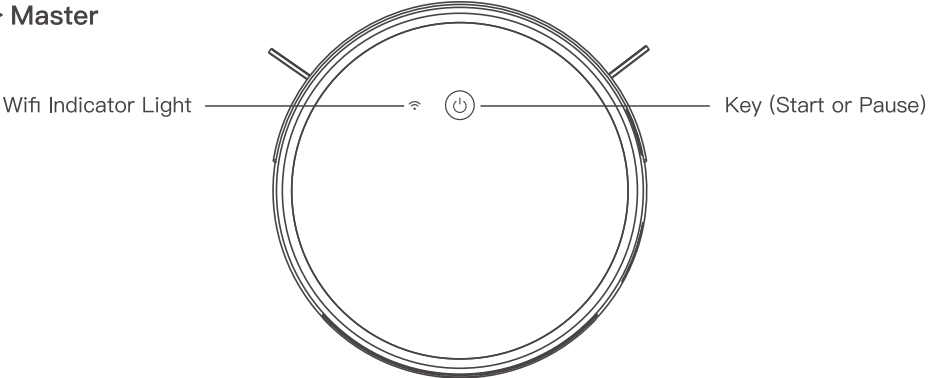
# 1.Safety Regulations

- 17) Do not place items at the suction outlet. Do not use products when suction is blocked. Clean dust, cotton wool, hair, etc. at the suction port to ensure smooth air circulation at the suction port.
- 18) Use the power cord carefully to avoid damage. Do not use the power cord to drag or pull the product and the product charging stand. Do not use the power cord as a handle. Do not clamp the power cord into the door seam. Do not pull the power cord at sharp corners and corners. Do not operate the product on the power line, and the power cord should be kept away from heat.
- 19) If the power cord is damaged, it must be replaced by a manufacturer, a professional in its maintenance department or a similar department to avoid danger.
- 20) Do not use the damaged charging stand.
- 21) Do not use the product with a damaged power cord or power outlet. Do not use the product when it is not working properly due to dropping, damage, outdoor use or water ingress. To avoid injury, the product should be repaired by the manufacturer or its after-sales service.
- 22) Turn off the product switch before cleaning and maintaining the product.
- 23) The plug must be unplugged from the power outlet before cleaning and maintaining the product.
- 24) Before discard of the product, remove the product from the charge stand, turn off the product power switch, and remove the battery.
- 25) The product battery must be removed and discarded in accordance with local laws and regulations before disposing of the product.
- 26) Please dispose of used batteries in accordance with local laws and regulations.
- 27) Even if the product has been severely damaged, it is forbidden to incinerate the product, and the product battery may cause an explosion.
- 28) If you do not use the product for a long time, please turn off the product.
- 29) Please follow the instructions in the manual to use the product. The company is not responsible for any loss or damage caused by improper use.

## 2.Product Composition

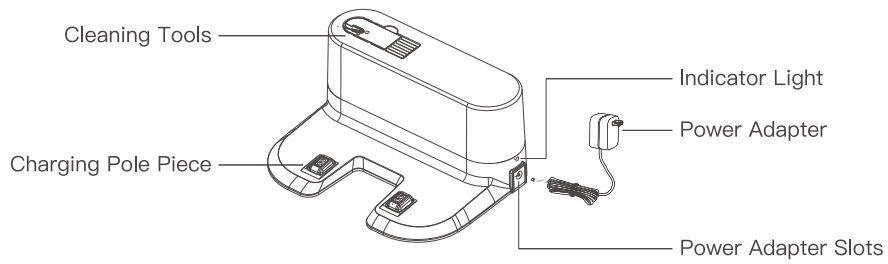
### 2.1 Assembly Name

► Master

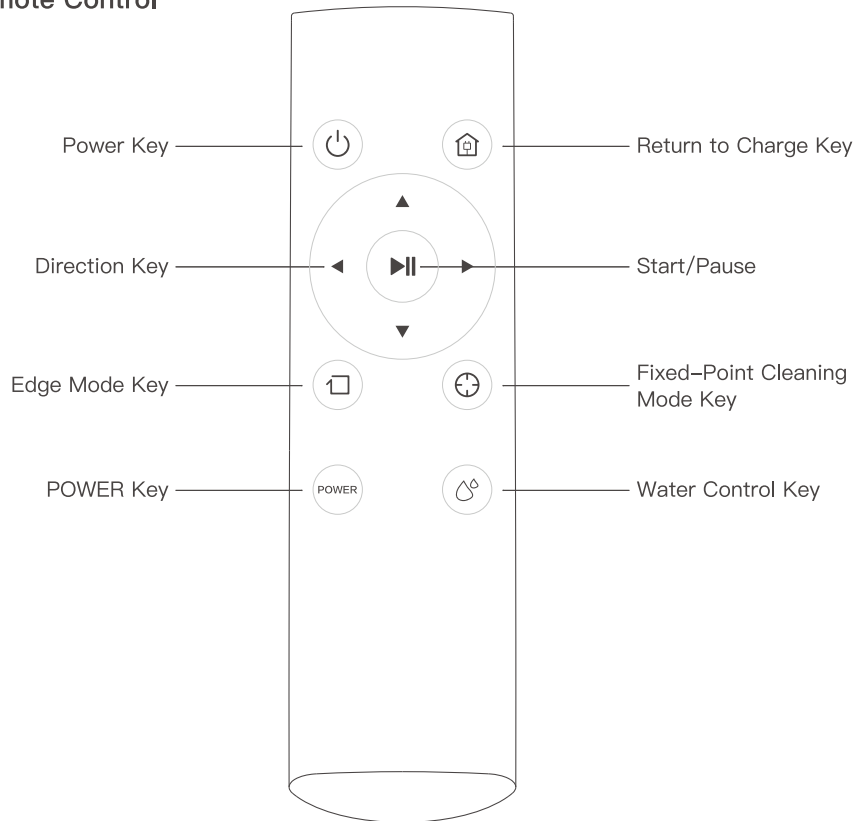


## 2.Product Composition

### ► Charging Stand Assembly

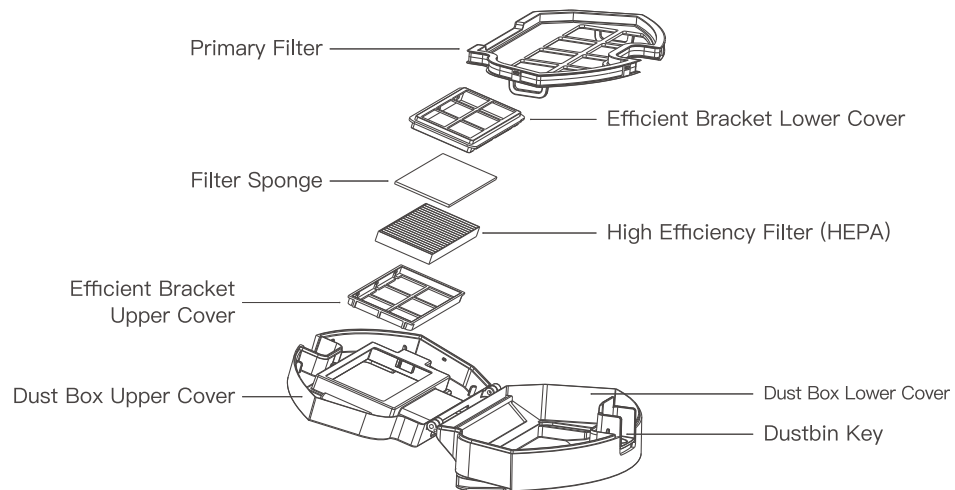


### ► Remote Control

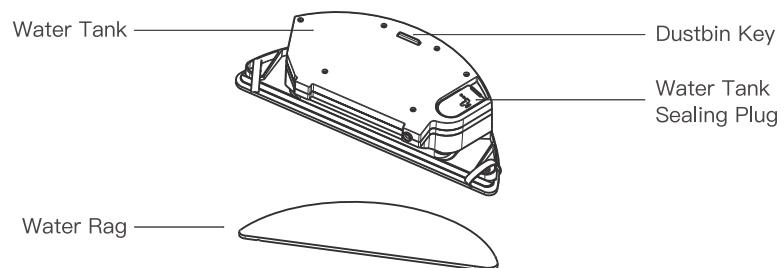


## 2.Product Composition

### ► Dust Box





### ► Water Permeable Rag Assembly



## 2.Product Composition

### 2.2 Technical Parameters

<b>Master :</b>	
Working Voltage: 10.89 V 	Power Rating: 20W
<b>Charging Stand</b>	
Rated Input Voltage: 19 V 	Rated output current: 0.6A
<b>Battery and Specifications</b>	Lithium Battery 2600mAh
<b>Adapter :</b> Output parameter 100–240V ~50/60HZ Input parameter 19VDC/0.6A	



## 3.Product Composition

### 3.1 Considerations

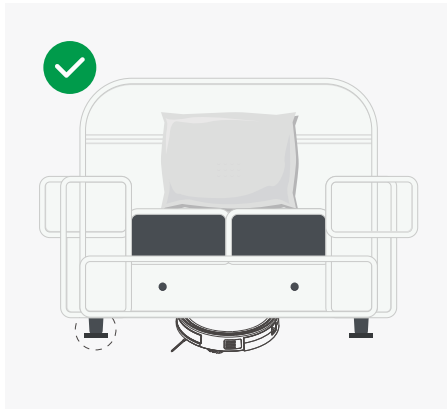
Please refer to the following guidelines to check the cleaning area before the main engine works.



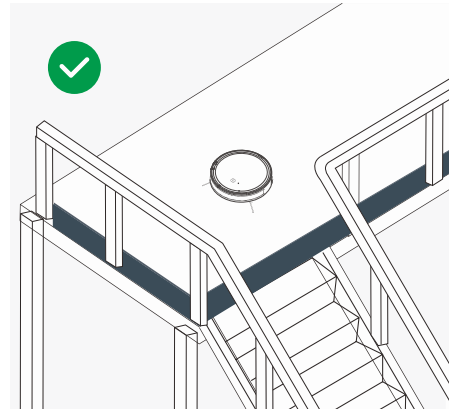
Power lines and other debris scattered on the ground may trip up.Product must be removed



Please roll the carpet tassels or work on short-hair rugs.



A gap of less than 8 cm on the bottom of the furniture may catch the product. If you need to clean it, please raise the furniture.



A guardrail should be placed at the edge of the duplex to ensure safe operation of the product.

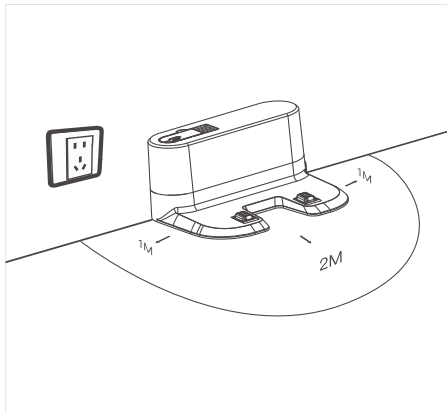
## 3.Product Composition

### 3.2 Rapid Operation

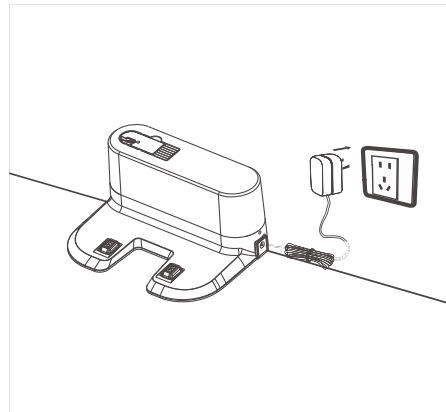
#### Charging Preparation

##### 1 Connect the adapter to the charging stand

Place the charging stand flat against the wall. Do not place objects in the left and right 1M and the front 2M, and do not have objects with strong reflection surfaces such as mirrors.



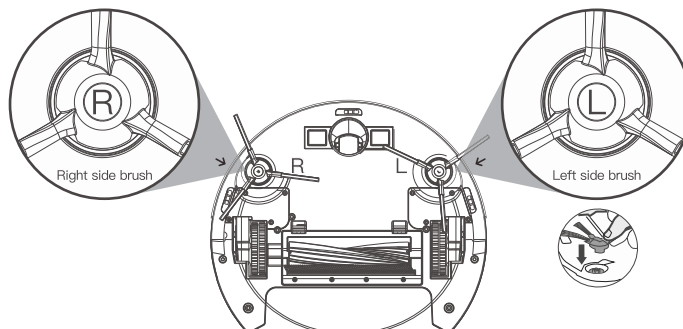
Place the charging stand



Connect the power supply

##### 2 Install The Side Brushes

Please install the right brush into the right bottom mounting port of the machine, the left brush into the left bottom mounting port of the machine, and ensure that the two side brushes are in place



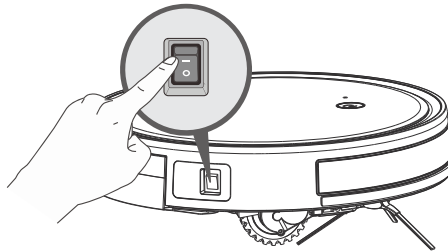
## 3.Product Composition

### Start to charge

#### 1 Turn On The Master

Turn on the side power switch, “I” is the turn on, “O” is the turn off.

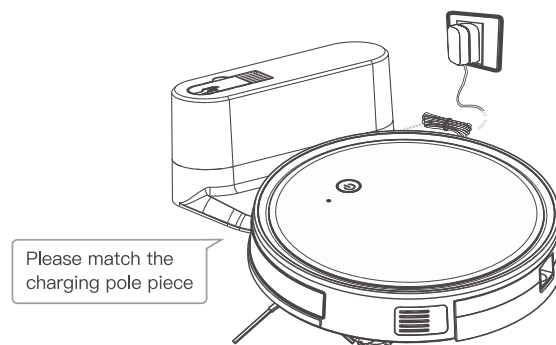
After the master finishes working, it is recommended not to shut down; keep the master in a state of charge so that it can perform its next job better.



#### 2 Master Charge

Place the master in the charging stand and pay attention to the charging pole piece

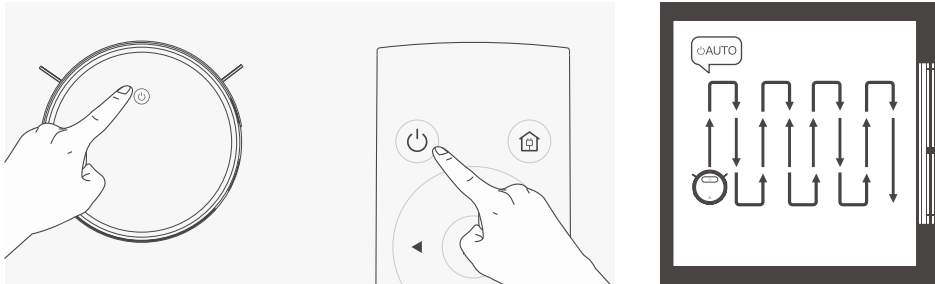
Turn on the power switch, the robot will enter standby mode. Ⓜ Red light/pink light/Blue light breathing light flashes indicate charging. Ⓜ When the blue light is off means charging is completed. For the first use, please charge continuously for more than 12 hours.






## 3.Product Composition

### Start Cleaning

Start the Automatic Cleaning Mode with the master's  key or remote control  key



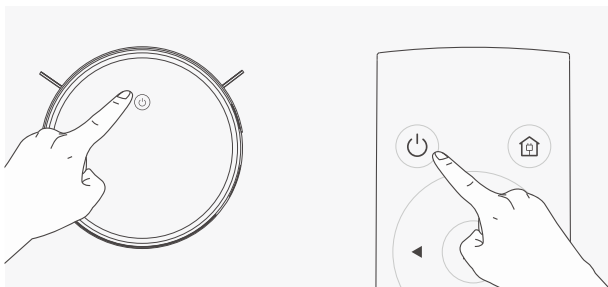
Before starting the mode, make sure that the outer ring of the  key is red/blue and the master is in the state of being awakened. If the master does not wake up, short press the master  or remote control  key to wake it up.

The master enters the sleep state after 10 minutes of standby, and the  key light is off.

If you need to select another mode, please refer to the (Mode Selection) section.

### Stop Working

While the master is working, press the master  key or remote control and the master will pause.



## 3.Product Composition

### 3.3 Mode Selection

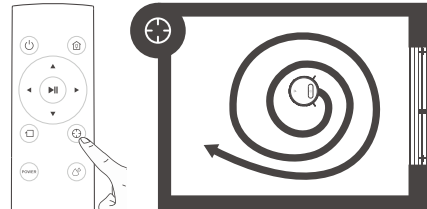
In order to adapt to different ground conditions and achieve deep cleaning, this product has a variety of cleaning modes, which can be selected by remote control as needed.

The remote control can switch any mode directly.

Before starting the mode, make sure that the outer ring of the ⏻ key is red/blue and the master is in the state of being awakened. If the master does not wake up, short press the master ⏻ or remote control ⏻ key to wake it up.

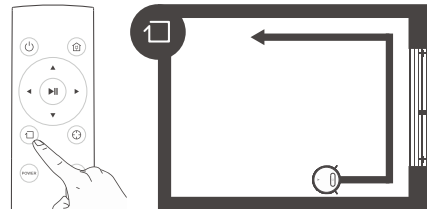
#### Fixed-Point Mode

It is suitable for the ground environment where the garbage is concentrated. The master centralized cleaning in the designated area, and master centralized cleaning with the "spiral" route. After the diameter is 1m, the machine returns to the original point. If the obstacle is encountered in the middle, the spiral is cleaned for 2 minutes



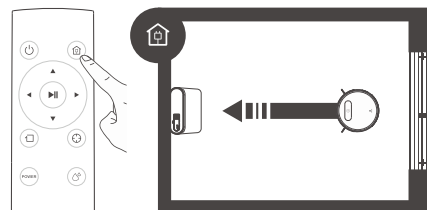
#### Edge Mode

It is suitable for cleaning at the corners of the room. The master is cleaned around the periphery of a fixed object (such as a wall) and cleaned back to the charging stand.



#### Return Charging Mode

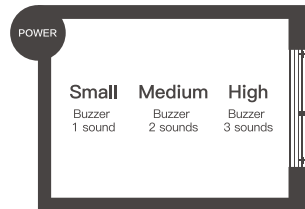
It can also be commanded by the button on the remote control to start the "return charging" mode. During the cleaning process, the master can sense that its own power is insufficient, and automatically start the "return charging" mode, and automatically find the charging stand for charging.



## 3.Product Composition

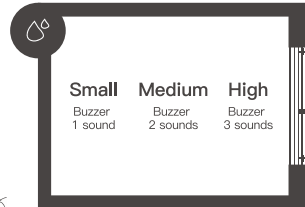
### POWER MODE

The power of the master can be commanded by the POWER button on the remote control. The size of the master is small, medium and high. The buzzer of the master prompts 1 sound, 2 sounds and 3 sounds respectively.



### Water Control Mode

The water drop button on the remote control can be used to command the drip size of the water tank in the mopping mode, sub-small, mid-range, high-grade, and the main buzzer prompts 1 sound, 2 sounds, 3 sounds respectively



## 3.Product Composition

### 3.4 Use of Water Permeable Rag

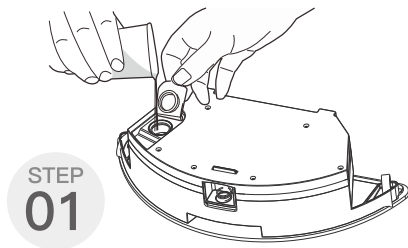
This product is equipped with a water tank assembly. After the cleaning work is completed, if there is a demand for mopping, the dust box can be replaced with a water tank assembly. For the cleaning method, please refer to the [Maintenance] section in this manual.

Do not use the water tank assembly on the carpet. When cleaning with the rag function, fold the edge of the carpet to avoid foreign matter on the rag from soiling the carpet.

In the cleaning, please pay attention, add water or clean up in time, remove the water storage box when adding water. When charging, be sure to remove the water permeable wiper assembly.

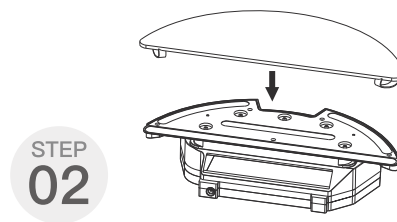
#### ■ Add Water

Open the water inlet cover and take enough water.



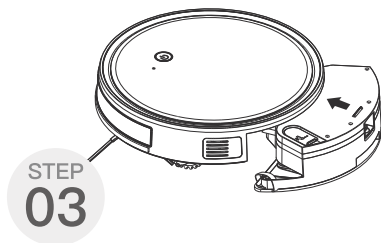
#### ■ Sticking The Water Rag

Close the water inlet cover and stick the water rag.



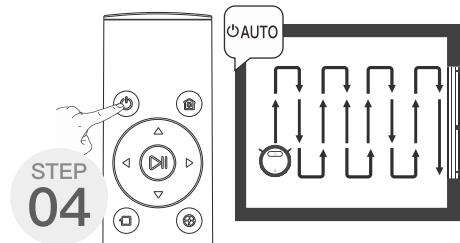
#### ■ Install Water Tank Assembly

Press the dust box release button at the rear of the master to remove the dust box and replace the water tank assembly.



#### ■ Mop

Start any cleaning mode as needed, and the master will perform cleaning and mopping.



## 3.Product Composition

### 3.5 Roller Brush Assembly and Sucking Assembly

#### Assembly Choices

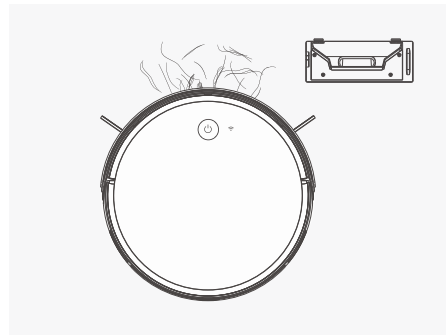
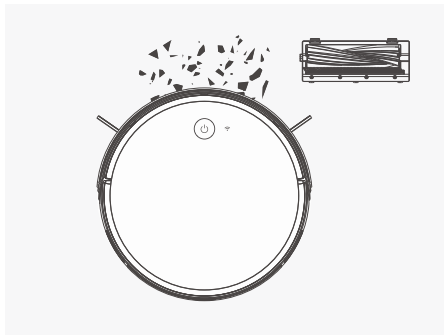
It comes with roller brush assembly and sucking assembly to satisfy different needs.

#### Roller brush assembly:

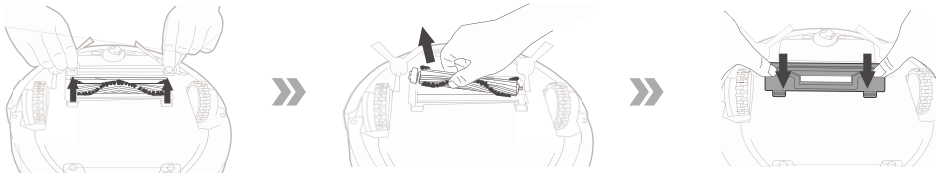
Scratch the floor, sweep and suck dust effectively.

#### Sucking assembly:

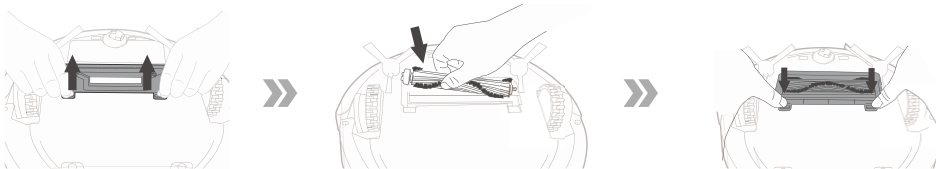
used for daily cleaning, specially for hair and pet hair.



**Set sucking parts:** take Aout roller brush cover board and brush first, and change suction cover board and then press to lock.



**Set roller brush assembly:** take out sucking assembly first, set the roller brush and cover the board and then press to lock.



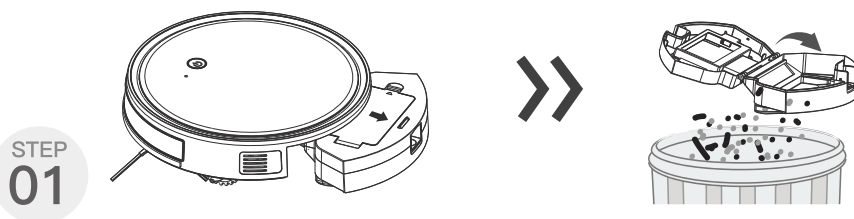


## 4.Maintenance

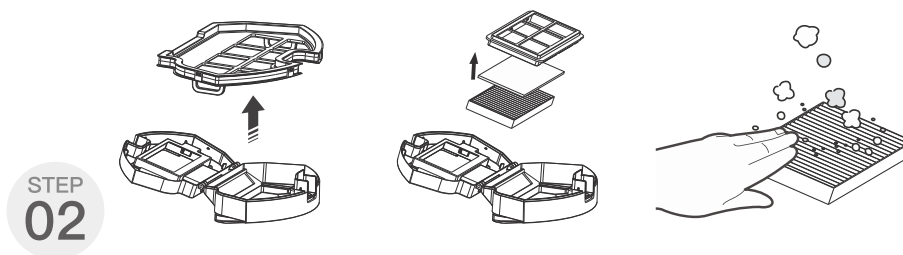
### 4.1Dust Box and Filter

When cleaning and maintaining the master and its accessories, turn off the master and unplug the charging stand.

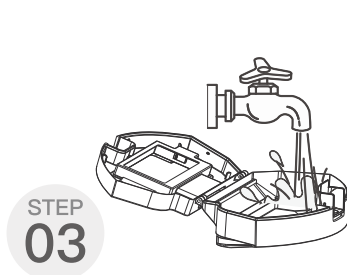
- Remove the dust box, open the dust box cover, and clean the garbage;



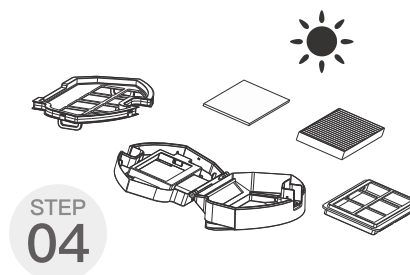
- Remove dust filter. HEPA is not recommended for washing. Please pat and remove ash.



- Flush the dust box and the primary filter;



- Dry the dust box and dust filter assembly and keep it dry to ensure its service life.



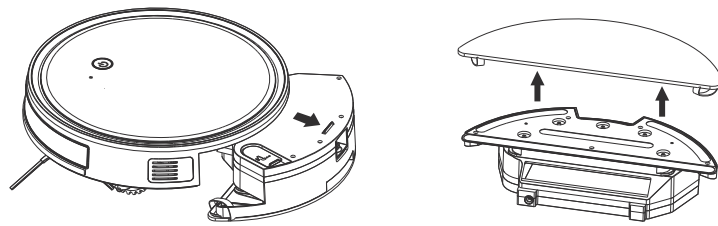
## 4.Maintenance

### 4.2 Water Tank Assembly

#### Cleaning Of Water Rag

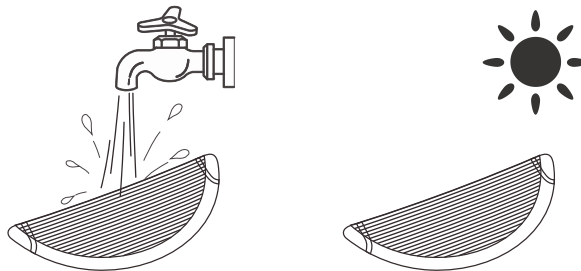
- **Remove:** After the mopping is completed, remove the water tank assembly and remove the water permeable rag.

STEP  
01



- **Maintenance:** Rinse and dry the water rag

STEP  
02

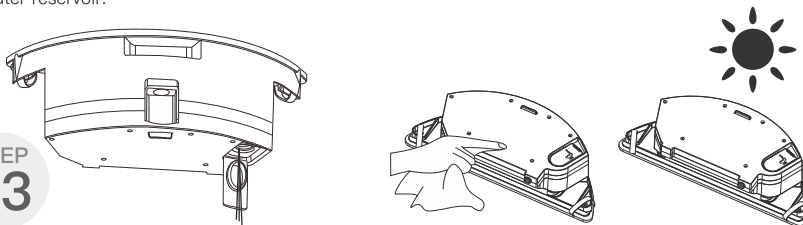


- **Cleaning The Water Reservoir**

**Remove:** After mopping the floor, remove the water tank assembly, remove the water permeable cloth, and pour off the remaining water in the water reservoir.

**Maintenance:** Dry the reservoir and allow it to dry.

STEP  
03

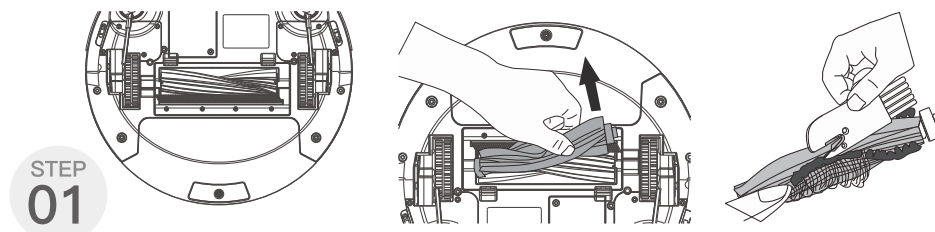


## 4.Maintenance

### 4.3 Rolling Brush、 Side Brushes

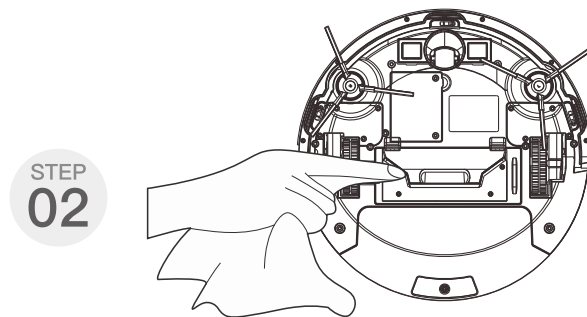
#### ■ Cleaning Rolling Brush

Remove the rolling brush cover plate, remove the rolling brush, cut off the hair wound on the rolling brush, and facilitate cleaning.



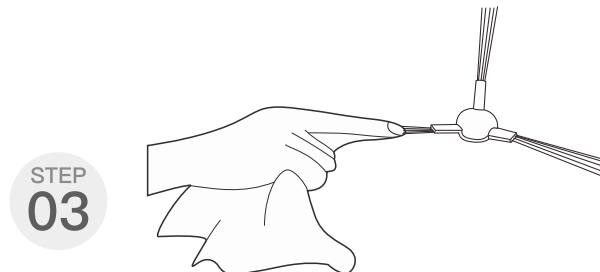
#### ■ Cleaning Suction Port

If there is more dust on the suction port, please use a rag to clean it.



#### ■ Cleaning Side Brushes

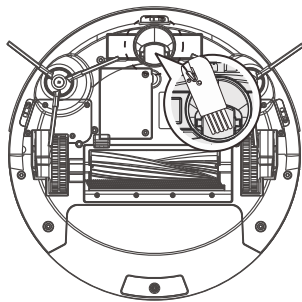
Pull out the side brush and wipe it with a clean rag.



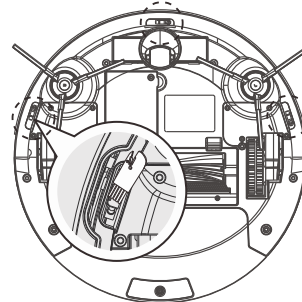
## 4.Maintenance

### 4.4 Other Assembly

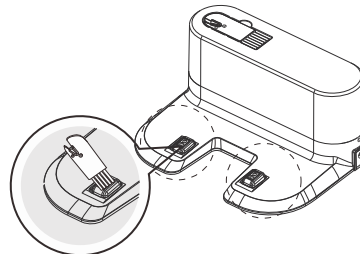
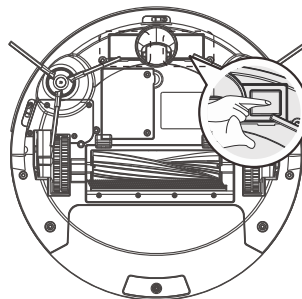
- Clean the universal wheel to reduce hair entanglem.



- Clear down the sensor to ensure the sensitivity of the sensor.



- To clean the charging pole pieces, use a dry rag to clean the charging poles on the bottom of the master or the charging stand



Do not use this product for a long time, please remove the battery and keep it in a safe place. If the battery leaks, remove the battery and wipe the battery compartment clean.  
This product uses a high-life battery and does not require frequent replacement. If you need to replace, you can contact our company for after-sales service replacement.

## 5. Lighting Effects And Alarm Tips

### 5.1 Lighting Effects

Cleaner status	AUTO Display Status
Cleaner stop cleaning	Blue lamp light on
Start auto charge	Purple & blue lamp light on
Start to Spiral clean	Blue lamp light on
Start to wall follow cleaning	Blue lamp light on
Start recharging	Blue lamp flash
Start zigzag clean	Blue lamp light on
Switch on	Blue lamp light on (red lamp means low power)
Start to mopping mode	Blue lamp light on
Low power, Start to auto charge	Blue lamp light on
Press any direction button	"non"
Connect wifi	Blue lamp flash
Connect successfully	Blue lamp light on

## 5 Lighting Effects And Alarm Tips

### 5.2 Alarm Tips

When the host fails, the red light of the outer ring of the host key flashes, and the buzzer sounds of different lengths will be emitted. Refer to the following table to check the cause of the fault:

Cleaner status	AUTO Display Status	Solution
Side brush error	Red lamp light on two sounds three times	Please check if the side brush is entangled and clean the side brushes
Fan motor error	Red lamp light on three sounds three times	Please check the garbage and air duct outlet
Main brush error	Red lamp light on four sounds three times	Please check if the roller brush is entangled and clean the roller brush
Dustbin error	Red lamp light on five sounds three times	Please check whether dustbin put in position
Ground sensor error	Red lamp flash two sounds three times	Clean the cliff sensor ground detector or manually pick up the cleaner if wheel are not on the floor
Cleaner trapped	Red lamp flash three sounds three times	Please move to the open space
Low power, need charge manually	Red lamp flash four sounds three times	Manually move the cleaner back to the dock station recharging
Adapter failuer	Red lamp flash five sounds three times	Please use 19V 0.6A adapter for charging

#### Tips

If the above method does not solve the problem, please try the following:  
Re-open the power switch on the side of the master and restart the machine.

## 6.FAQ

If the following problems occur during the use of the product, you can solve it yourself by checking the queries.

No	Cause of Failure	Probable Reasons	Solution
01	Master cannot be charged	The master is not in full contact with the charging pole of the charging stand.	Make sure that the master is fully docked with the charging poles of the cradle.
		The charging stand power is turned off and the main power switch is turned on, resulting in power loss.	When the master does not work, it is recommended to keep it in charge so that it can carry out the next work better
02	The master is in trouble when working	The master is entangled or obstructed by scattered wires on the ground, drape curtains or carpet edges.	The master will try various ways to get rid of difficulties, if you are not able to get out of trouble, it is recommended to help manually
03	After the cleaning is completed, the host returns to charging.	When the master is working, it can sense that the battery is low and automatically returns to charging.	Charge the master
		Wooden floor, tile and other flat ground master speed and time difference	The working time of the master varies depending on the complexity of the room, the amount of garbage and the cleaning mode.
04	The master did not automatically clean up according to the appointment time	The master power switch is not turned on, and the master is in the off state to clear the reservation information on the master side.	Turn on the power switch of the master, reconnect the network and use the APP to determine the reservation information.
		The master is low on battery.	When the master is in standby, it should be kept on the charging stand to ensure that it has sufficient power to work at any time.
		The master is clogged and tangled by garbage	Turn off the power and clean the dust box with the bottom of the master facing up. Clean each part separately.
05	The remote control is out of order (the remote control has an effective control range of 5 meters)	The remote control is low on battery.	Replace the battery with a new one and install it properly.
		Master power switch is not turned on or master is not enough power.	Make sure the master power switch is turned on and has sufficient power to complete the operation
		The infrared emission of the remote control or the master receiver is dirty and cannot transmit or receive signals.	Wipe the infrared emitter of the remote control and the infrared receiver of the master with a clean cotton cloth.
		There is a device interference signal that generates infrared rays near the master.	Avoid using the remote control near other infrared devices.

**FCC Instructions:**

This product has been tested and found to comply with the limits for a Class B digital device, pursuant to Part 15 of the FCC Rules. These limits are designed to provide reasonable protection against harmful interference in a residential installation. This product generates, uses and can radiate radio frequency energy and, if not installed and used in accordance with the instructions, may cause harmful interference to radio communications. However, there is no guarantee that interference will not occur in a particular installation. If the product does cause harmful interference to radio or television reception, which can be determined by turning the equipment off and on, the user is encouraged to try to correct the interference by one or more of the following measures:

- Reorient or relocate the receiving antenna.
- Increase the separation between the product and receiver.
- Connect the product into an outlet on a circuit different from that to which the receiver is connected.
- Consult the dealer or an experienced radio/TV technician for help.

This device complies with Part 15 of the FCC Rules. Operation is subject to the following two conditions:

- (1) this device may not cause harmful interference, and
- (2) this device must accept any interference received, including interference that may cause undesired operation.

**Warning:** Changes or modifications not expressly approved by the party responsible for compliance could void the user's authority to operate the product.

FCC Radiation Exposure Statement:

The equipment complies with FCC Radiation exposure limits set forth for uncontrolled environment. This equipment should be installed and operated with minimum distance 20cm between the radiator and your body.