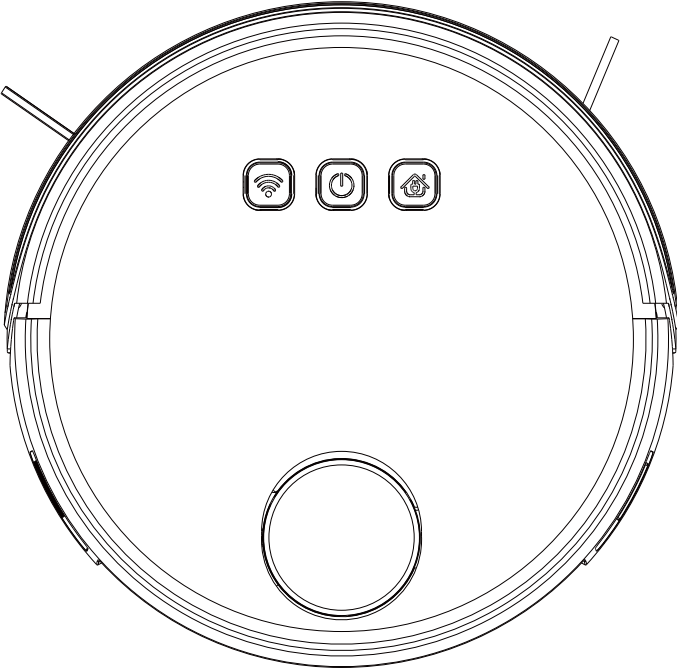


Instruction Manual

Robotic Vacuum Cleaner







Model:MT-1000

Instruction Manual

1. Safety Regulations	01
2. Product Instruction	03
3. Parameter	07
4. Use Instructions	08
5. Maintenance	19
6. Alarm Tips	23
7. FAQ	24

1. Safety Regulations

Please read the manual carefully before using the product and keep this instruction for reference.

-  Products cannot be used by children under 8 years of age or people with mental disabilities. If you need to use it, please do so under the supervision of the guardian. Please do not let children ride on the product or play the product as a toy. Do not use the product in a room where infants sleep.
- Problems that may arise in cleaning products should be eliminated as early as possible. Clean the power cords and small items on the floor to prevent the product from being blocked during the cleaning process. Fold the edge of the carpet to the underside of the carpet, and keep the hanging curtains, tablecloths, etc from touching the ground.
- If there is a suspended environment such as a staircase, test the product first to see if it can detect the edge of the suspended area without falling. Protective barriers should be installed at the edge of the suspended area to prevent falling products. Make sure that the protective equipment does not cause personal injury.
- Please follow the manual in the instructions to use the product. Use only accessories recommended or sold by the manufacturer.
- Ensure that the power supply voltage meets the voltage indicated on the cradle.
- Used only in indoor home environments. Do not use in outdoor, commercial or industrial locations.
- Use only original rechargeable batteries and charging docks that are unique to the manufacturer. Do not use non-rechargeable batteries. For battery specifications, please refer to " Technical Data".
- Ensure that dust boxes and filter materials are installed before using products.
-  Use of the product in an environment with open flames or fragile items is prohibited. Do not use the product in extreme heat (above 104 °F) or very cold (below -41 °F).
- It is forbidden to close the body's hair, clothes, fingers and other parts close to the opening and operating parts of the product.
-  Do not use the product on wet or watery ground.
-  It is forbidden to absorb any items such as follows:
 - stones, waste paper.
 - flammable materials such as toner, toner or toner for printers or copies.

-cigarettes, matches, ash, or other items that may cause a fire.

Do not take any product that is burning, such as Do not place items at the suction outlet. Do not use products when suction is blocked. Clean dust, cotton wool, hair, etc. at the suction port to ensure smooth air circulation at the suction port.

Use the power cord carefully to avoid damage. Do not use the power cord to drag or pull the product and the product charging stand. Do not use the power cord as a handle. Do not clamp the power cord into the door seam. Do not pull the power cord at sharp corners and corners.

- Do not use the product if the power cord, power outlet or charging stand are damaged. Do not use the product when it is not working properly due to dropping, damage, outdoor use or water ingress. To avoid injury, the product should be repaired by the manufacturer or its after-sales service.
- Turn off the product switch before cleaning and maintaining the product.

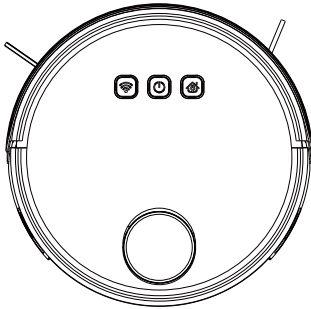
Before discard of the product, remove the product from the charge stand, turn off the product power switch, and remove the battery. Even if the product has been severely damaged, it is forbidden to incinerate the product, and the product battery may cause an explosion. Please dispose of used batteries in accordance with local laws and regulations.

If you do not use the product for a long time, please turn off the product.

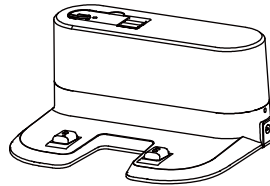
2. Product Instruction

2.1. What's in the box

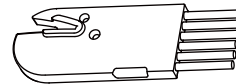
1. Robot Vacuum	3. Clean Brush	5. Side Brushes X4	7. Water Tank
2. Charging Base	4. Power Adapter	6. HEPA X 1	8. Instruction Manual



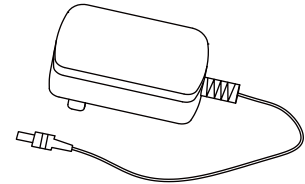
1



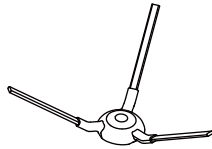
2



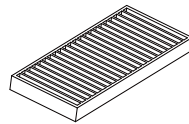
3



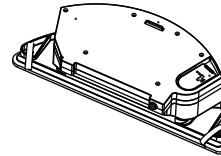
4



5



6



7

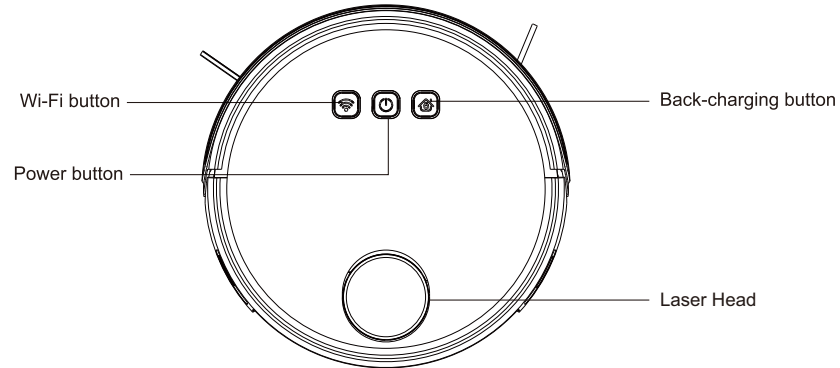
Instruction Manual
ROBOT VACUUM CLEANER



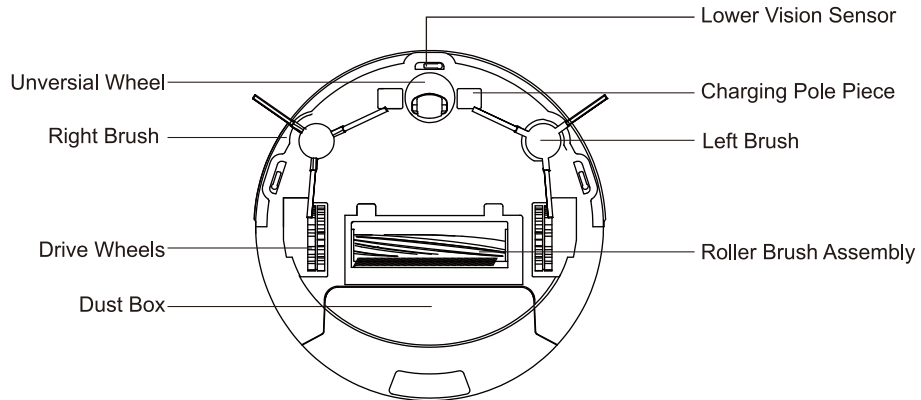
8

2.2. Assembly Name

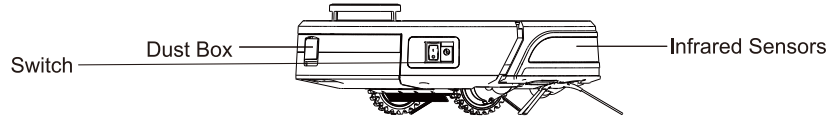
► Master



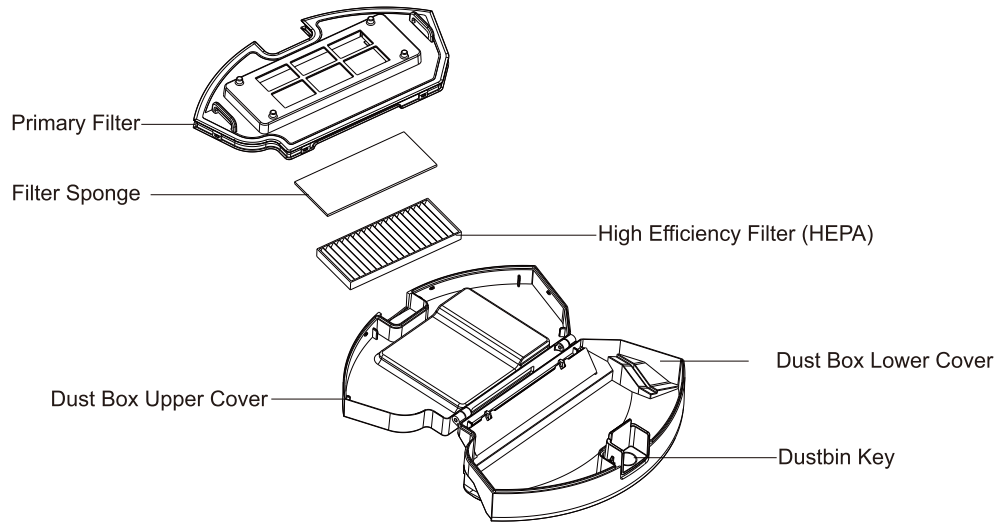
Top View



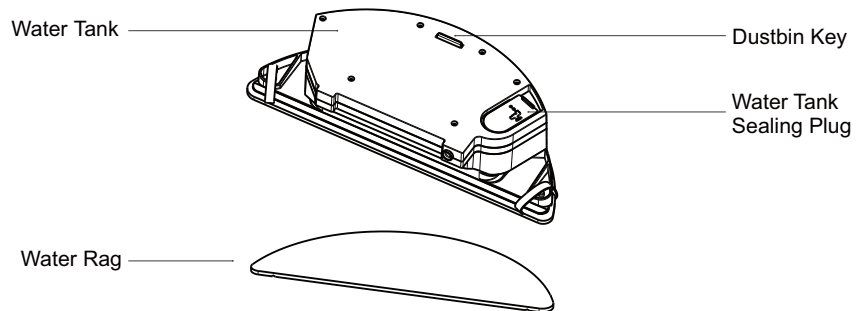
Bottom View



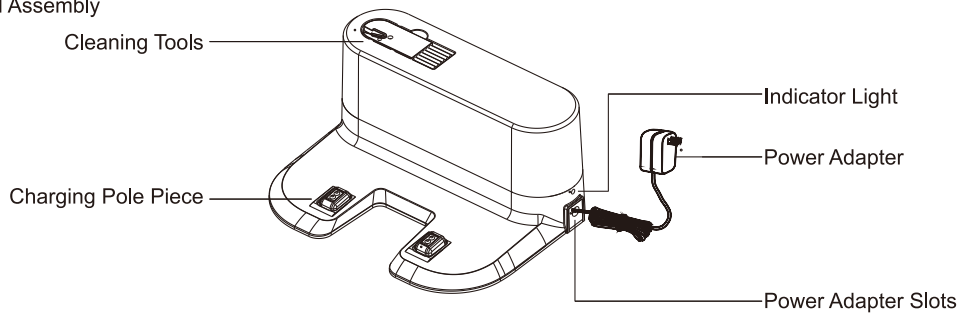
► Dust box



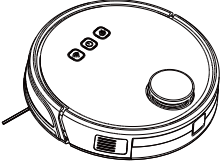
► Water Permeable Rag Assembly



► Changing Stand Assembly



3. Parameter

	Product Model	MT-1000
	Input	19V/1A
	Power Consumption	30W
	Battery Capacity	Li-ion 3200mAh
	Dust Collector Capacity	0.5L
	Cleaning Time	Max. 150 mins
	Charging Time	Round 300 mins

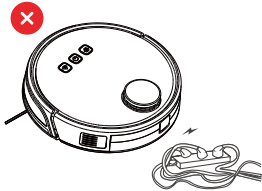
	Input	100-240V/50-60Hz
	Output	19V/1A

Install 2 AAA batteries before using the remote control for the first time. Make sure the positive and negative ends are facing the correct polarity direction as marked in the battery compartment.

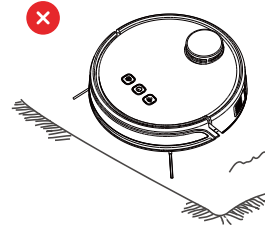
4. Use Instructions

4.1 Considerations

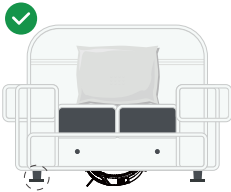
Please refer to the following guidelines to check the cleaning area before the cleaner works.



1. Power lines and other debris scattered on the ground may trip up product must be removed.



2. Please roll the carpet tassels or work on short-hair rugs.



3. A gap of less than 8 cm on the bottom of the furniture may catch the product.
If you need to clean it, please remove the furniture.

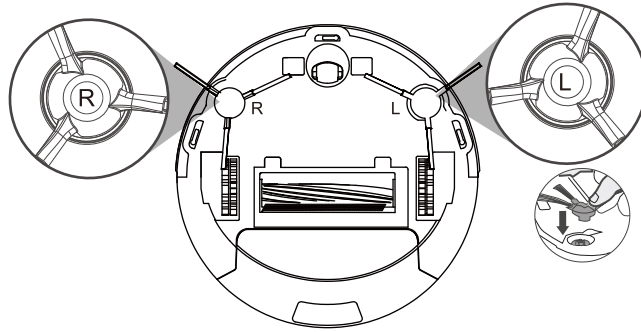


4. A guardrail should be placed at the edge of the duplex to ensure safe operation of the product.

4.2 Rapid Operation

4.2.1 Install The Side Brushes

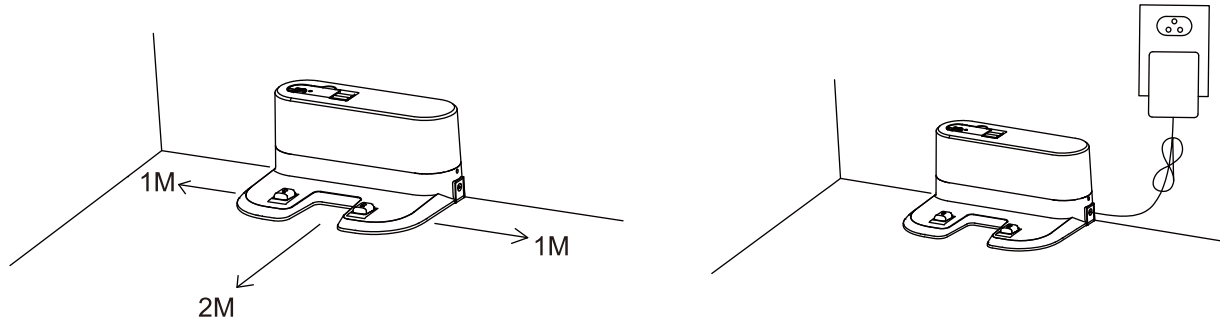
Please install the right brush into the right bottom mounting port of the machine, the left brush into the left bottom mounting port of the machine, and ensure that the two side brushes are in place.



4.2.2 Charging Operation

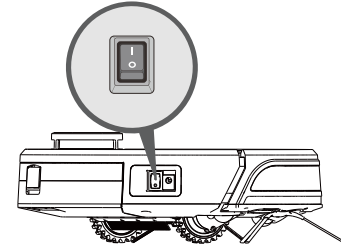
1. Connect the adapter to the charging stand.

Place the charging stand flat against the wall. Do not place objects in the left and right 1M and the front 2M, and do not have objects with strong reflection surfaces such as mirrors.




2. Turn On The Master

Turn on the side power switch, “I” is the turn, “O” is the turn off.
After the master finishes working, it is recommended not to shut down; keep the master in a state of charge so that it can perform its next job better.




3.Master Charge

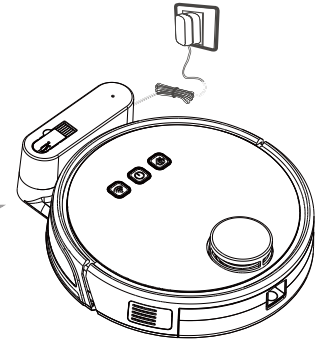
Place the master in the charging stand and pay attention to the charging pole piece.
Turn on the power switch, the robot will enter standby mode.

 The solid orange light indicates the appliance is returning for charging.
The blinking orange light indicates the appliance is charging.
The light will go off when it is fully charged.

 The blue light indicates the appliance is working normally/fully charged.

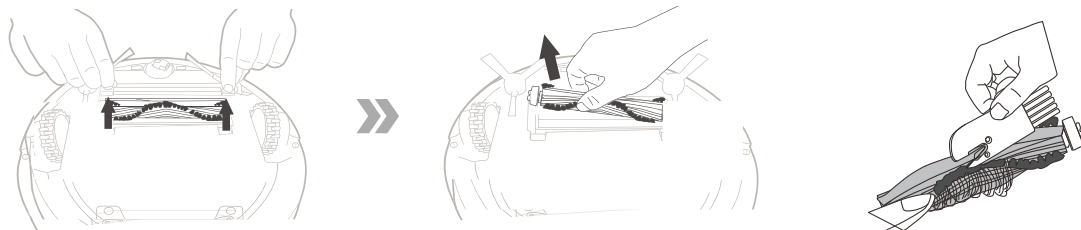
 The blinking blue light indicates the appliance is ready to connect Wi-Fi.
The solid blue light indicates the Wi-Fi is connected.
For the first use, please charge continuously for more than 6 hours.
Note: Please match the charging pole piece.

Please match the charging pole piece



4.2.3 Roller Brush Assembly and Cleaning

Remove the roller brush brush cover plate, remove the roller brush, cut off the hair wound on it and then use the cleaning brush to clean it.



Set roller brush assembly: take out sucking assembly first, set the roller brush, cover the board and press it to lock.

