

BRP 715003018

ATV %2F SSV KIT - LinQ Audio Trunk Box (Outside Europe)

Part number (SKU) : 715003018

Product: **ATV / SSV**

Project no: **487801898_rev4**

Instruction Sheet **487801898**

P/N:

Revision no: **4**

Revision date: **November, 2018**

Item covered: **LinQ™ Audio Trunk Box (Outside Europe),
To install the trunk box on models with metal rack, the LinQ Base kit (P/N
715002350) is required.**

The following symbols may be used in this document:

WARNING

Indicates a hazardous situation which, if not avoided, could result in death or serious injury.

 **CAUTION:** Indicates a hazard situation which, if not avoided, could result in minor or moderate injury.

NOTICE Indicates an instruction which, if not followed, could severely damage vehicle components or other property.

WARNING

- This kit is designed for specific applicable models only (authorized BRP dealers will confirm model(s)). It is not recommended for units other than the one (those) for which it was sold.
- If the installation of the kit requires a template, make sure template is to scale.
- Should removal of a locking device (e.g. lock tabs, self-locking fasteners, etc.) be required when undergoing disassembly/assembly, always replace with a new one.
- Torque wrench tightening specifications must strictly be adhered to.

WARNING

Some important safety information and/or operating instructions dedicated to the end user might be included in this instruction sheet. Make sure to give the kit part number as well as the instruction sheet included with this kit to the customer. Verify that the customer has access to all the information required for proper use of the accessory.

NOTE: USE TIGHTENING TORQUES IN THE FOLLOWING TABLE IF NOT OTHERWISE SPECIFIED.

| | GRADE | | | |
|-----|-------------------------------------|-----------------------------------|-------------------------------------|-----------------------------------|
| | 5.8 | 8.8 | 10.9 | 12.9 |
| M4 | 1.8 ± 0.2 N•m (16 ± 2 lbf•in) | 2.8 ± 0.2 N•m (25 ± 2 lbf•in) | 3.8 ± 0.2 N•m (34 ± 2 lbf•in) | 4.5 ± 0.5 N•m (40 ± 4 lbf•in) |
| M5 | 3.3 ± 0.2 N•m (29 ± 2 lbf•in) | 5 ± 0.5 N•m (44 ± 4 lbf•in) | 7.8 ± 0.7 N•m (69 ± 6 lbf•in) | 9 ± 1 N•m (80 ± 9 lbf•in) |
| M6 | 7.5 ± 1 N•m (66 ± 9 lbf•in) | 10 ± 2 N•m (89 ± 18 lbf•in) | 12.8 ± 2.2 N•m (113 ± 19 lbf•in) | 16 ± 2 N•m (142 ± 18 lbf•in) |
| M8 | 15.3 ± 1.7 N•m (135 ± 15 lbf•in) | 24.5 ± 3.5 N•m (18 ± 3 lbf•ft) | 31.5 ± 3.5 N•m (23 ± 3 lbf•ft) | 40 ± 5 N•m (30 ± 4 lbf•ft) |
| M10 | 29 ± 3 N•m (21 ± 2 lbf•ft) | 48 ± 6 N•m (35 ± 4 lbf•ft) | 61 ± 9 N•m (45 ± 7 lbf•ft) | 73 ± 7 N•m (54 ± 5 lbf•ft) |
| M12 | 52 ± 6 N•m (38 ± 4 lbf•ft) | 85 ± 10 N•m (63 ± 7 lbf•ft) | 105 ± 15 N•m (77 ± 11 lbf•ft) | 128 ± 17 N•m (94 ± 13 lbf•ft) |
| M14 | 85 ± 10 N•m (63 ± 7 lbf•ft) | 135 ± 15 N•m (100 ± 11 lbf•ft) | 170 ± 20 N•m (125 ± 15 lbf•ft) | 200 ± 25 N•m (148 ± 18 lbf•ft) |
| M16 | 126 ± 14 N•m (93 ± 10 lbf•ft) | 205 ± 25 N•m (151 ± 18 lbf•ft) | 255 ± 30 N•m (188 ± 22 lbf•ft) | 305 ± 35 N•m (225 ± 26 lbf•ft) |
| M18 | 170 ± 20 N•m (125 ± 15 lbf•ft) | 273 ± 32 N•m (201 ± 24 lbf•ft) | 330 ± 25 N•m (243 ± 18 lbf•ft) | 413 ± 47 N•m (305 ± 35 lbf•ft) |



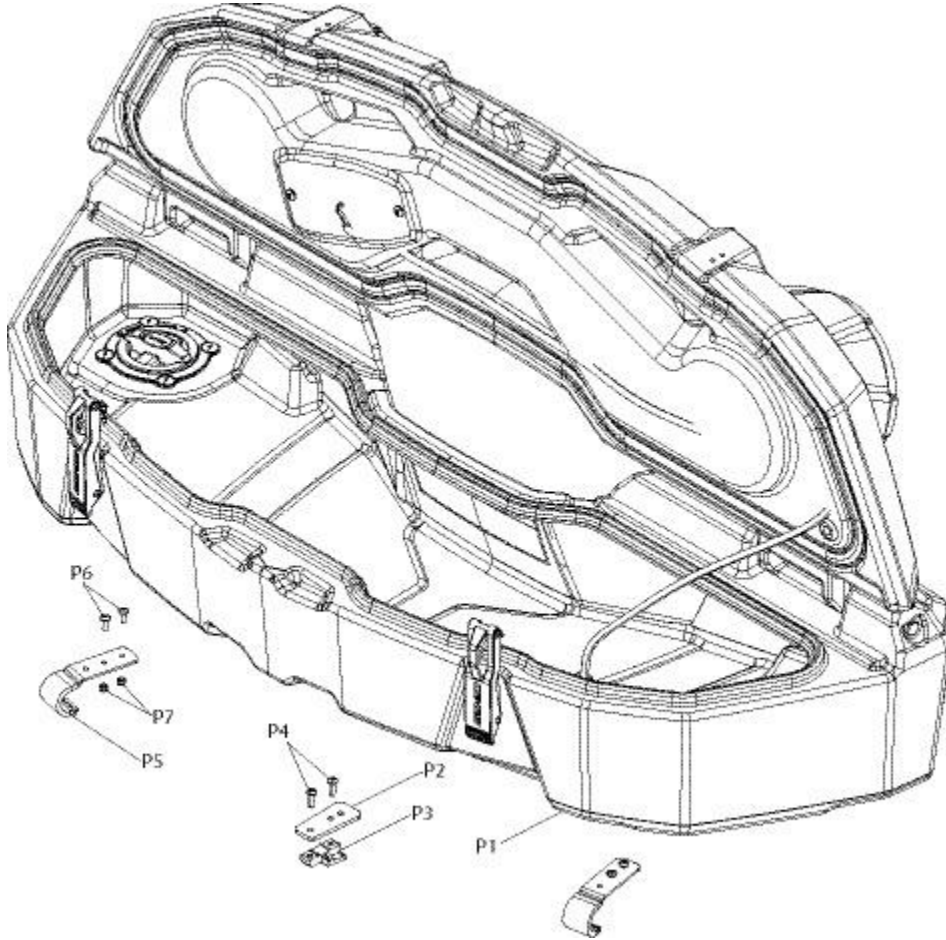
The illustrations in this document show typical construction of the different assemblies and may not reproduce the full detail or exact shape of the parts; however, they represent parts that have the same or similar function.

Installation time is approximately 0.5 hour.

REQUIRED TOOLS

| Required Tool | | Use |
|---------------|-----------------------------|----------------------------|
| T1 | Drill bit 4.5 mm (11/64 in) | To drill holes for hook(s) |

ITEMS IN KIT

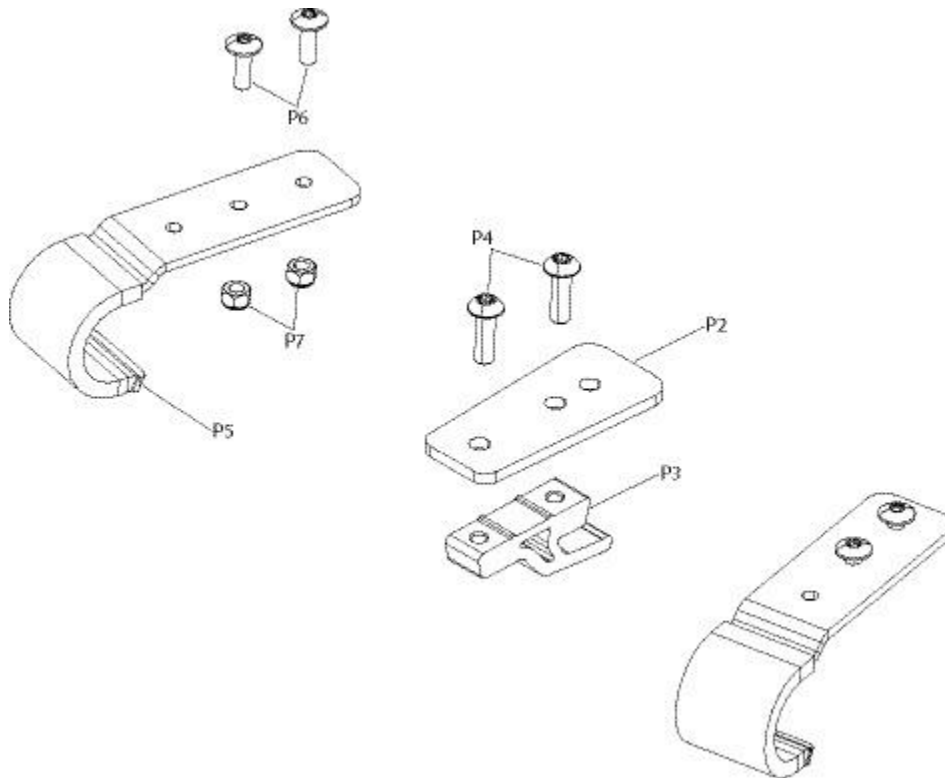


| ITEM | DESCRIPTION | Part Number | Quantity |
|------|-------------------------|--------------------------|----------|
| P1 | Audio Trunk Box | Not available separately | 1 |
| P2 | Reinforcement plate | Not available separately | 1 |
| P3 | Hook (for plastic rack) | Not available separately | 1 |
| P4 | M5 x 16 Torx screw | Not available separately | 2 |
| P5 | Hook (for metal rack) | Not available separately | 2 |

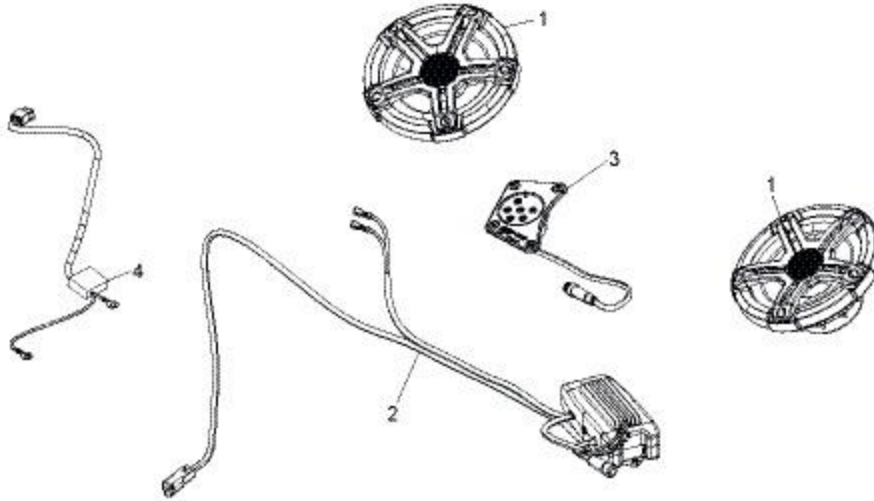
| | | | |
|----|---|--------------------------|---|
| P6 | M4 X 12 Torx screw | Not available separately | 4 |
| P7 | M4 Elastic nut | Not available separately | 4 |
| P8 | English warning label (not illustrated) | 704905220 | 1 |
| P9 | French warning label (not illustrated) | 704905221 | 1 |

SERVICE PARTS

The items below are included in the service part (P/N 715004386).



| Item | description | Part Number | qty |
|------|-------------------------|--------------------------|-----|
| P2 | Reinforcement plate | Not available separately | 1 |
| P3 | Hook (for plastic rack) | Not available separately | 1 |
| P4 | M5 x 16 Torx screw | Not available separately | 2 |
| P5 | Hook (for metal rack) | Not available separately | 2 |
| P6 | M4 X 12 Torx screw | Not available separately | 4 |
| P7 | M4 Elastic nut | Not available separately | 4 |



| Item | description | Part Number | qty |
|------|--|-------------|-----|
| 1 | Speakers | 710004652 | 1 |
| 2 | Amplifier | 710004769 | 1 |
| 3 | Audio Controller | 710004770 | 1 |
| 4 | Electric audio harness | 710004771 | 1 |
| 5 | Electric cable extension (for Maverick with front mounted battery) | 710005294 | 1 |



2x

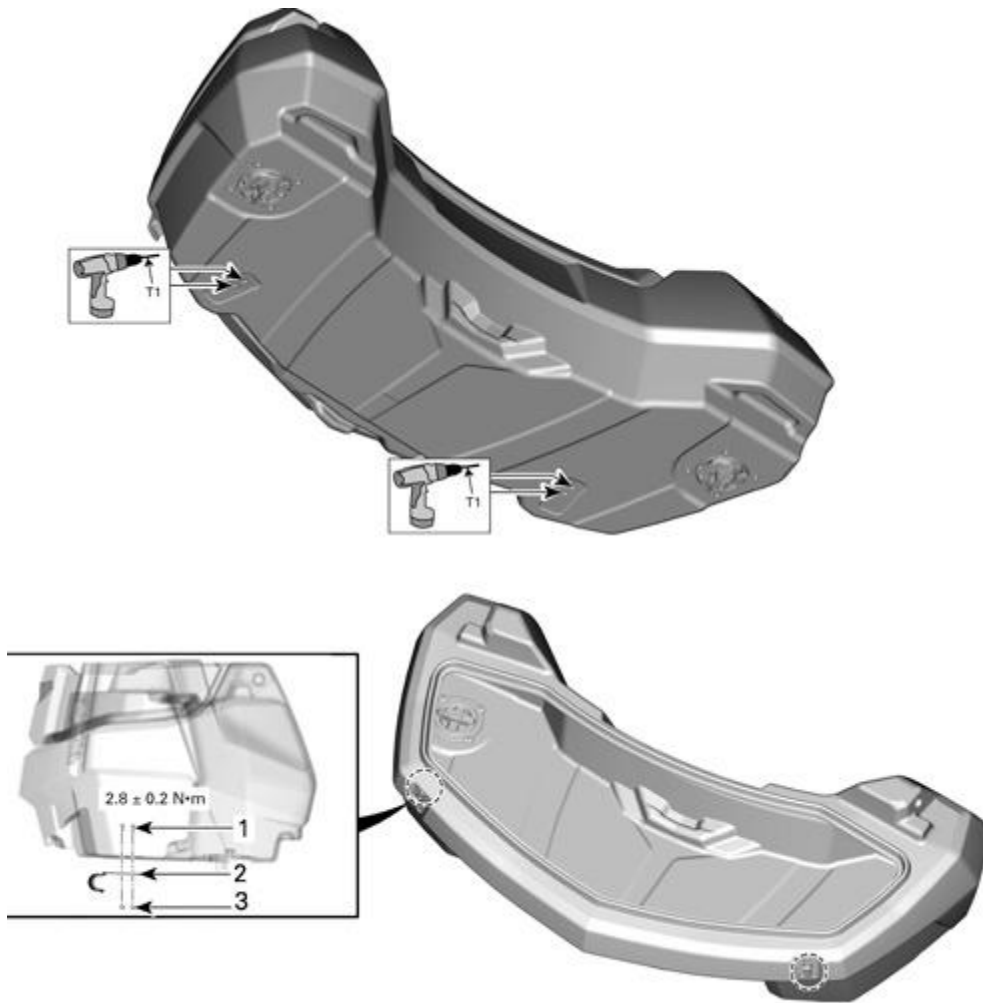
| Item | description | Part Number | qty |
|------|---------------------|-------------|-----|
| 6 | LinQ Adaptation kit | 715002412 | 1 |



| Item | description | Part Number | qty |
|------|-------------|-------------|-----|
| 7 | Latch Kit | 715002435 | 1 |

INSTRUCTIONS

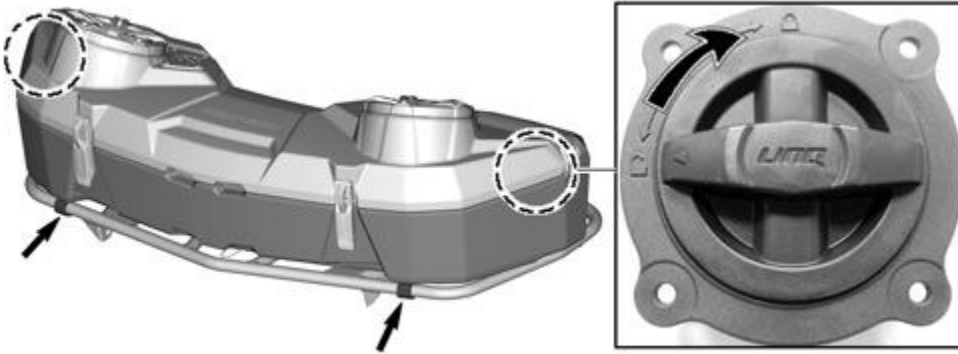
Metal Rack Installation



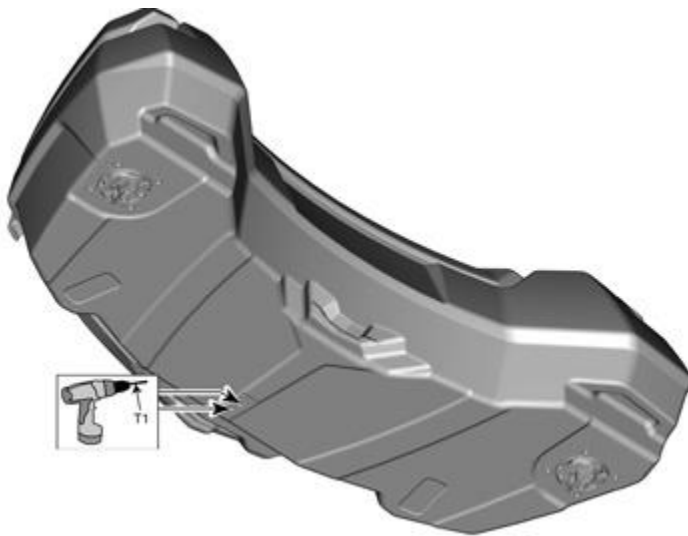
TYPICAL

1. M4 x 12 Torx screw [P6]
2. Hook (for metal rack) [P5]

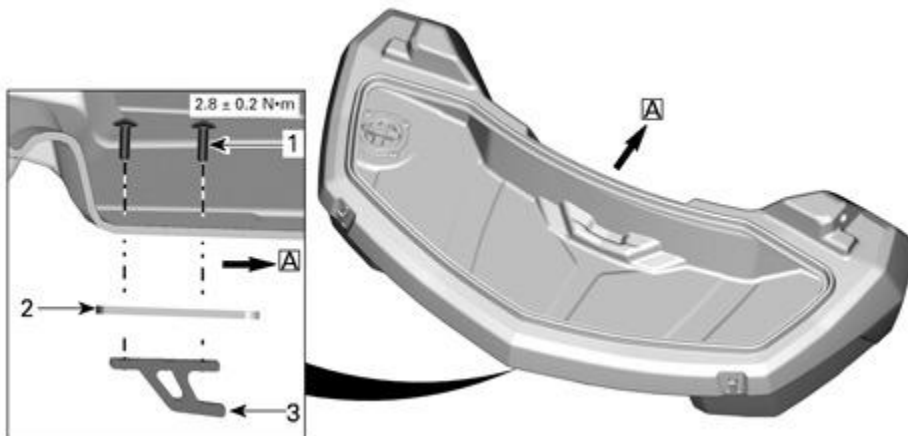
3. M4 elastic nut [P7]



Plastic Rack Installation



TYPICAL



TYPICAL

A. Front of vehicle

1. M5 x 16 Torx screw [P4]
2. Reinforcement plate [P2]
3. Hook (for plastic rack) [P3]



1. Push towards vehicle

HARNESS ROUTING

ATV

All models

Front Installation

Remove seat, pod, console, RH side panel.



Remove and keep screws from battery support and seat base.



Gently lift seat base on RH side to allow insertion of harness towards battery.



Route harness towards front of vehicle on RH side.



Follow other wiring harness and secure with locking ties as required.

NOTICE Be careful not to tangle harness around any moving mechanisms.

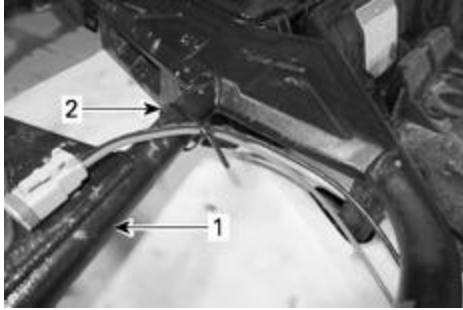


ATV with metal rack

Pass harness near rack post.



Secure harness to rack using locking tie.



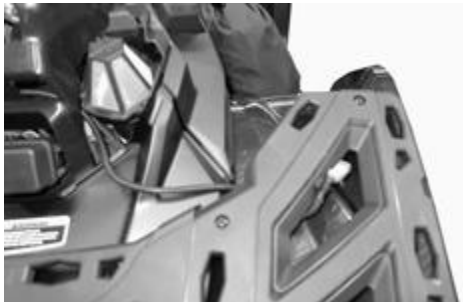
- 1. Rack
- 2. Locking tie

ATV with plastic rack

Drill a 6 mm (1/4 in) hole in the rack for the clip.



Secure harness to clip.



Once pod is reinstalled, the harness should be routed as depicted below.



- 1. Harness

Secure harness to rack using locking tie.



All models

Loop and secure exceeding length of harness to the voltage regulator harness.



1. Voltage regulator harness

Reinstall all removed components.

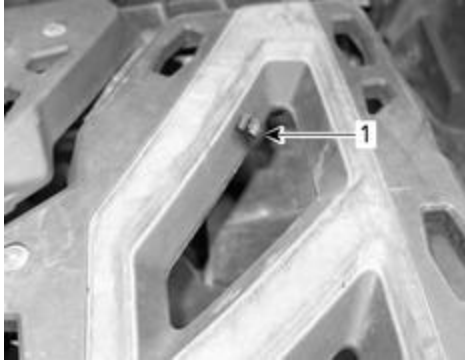
SSV - Maverick

Rear rack installation

Drill a 6 mm (1/4 in) hole in the rack for the clip.



Install the clip in place. Use clip to lock harness in place when audio box is not carried on vehicle.

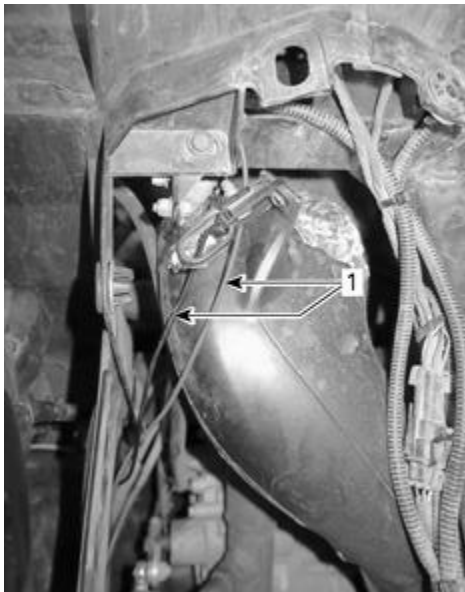


Route the harness through this opening and from under the vehicle towards the center, alongside other wiring harness.



1. Harness

Route harness towards front and pass above the air inlet to avoid running wires near exhaust components.



1. Harness

Route harness on vehicle interior side towards battery. Connect to battery.

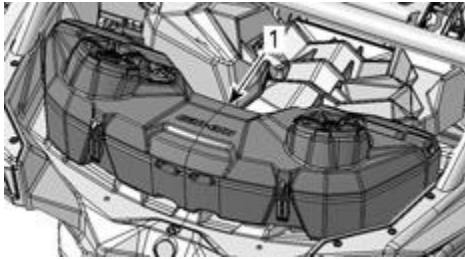


Connect audio box connector to harness.



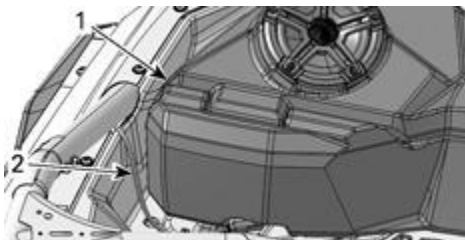
SSV - Maverick X3

Install audio trunk box [P1] on vehicle rear rack.



1. Audio trunk box [P1]

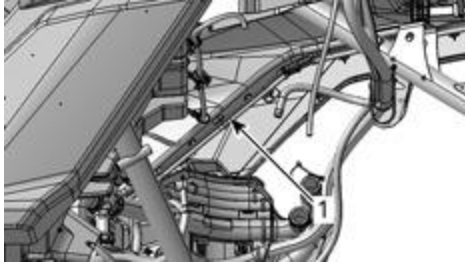
Route the harness in frame hole as illustrated.



1. Audio trunk box [P1]

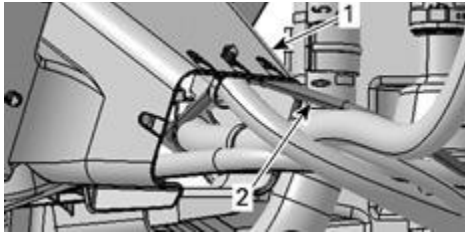
2. Harness

Route the harness along the rear light harness.



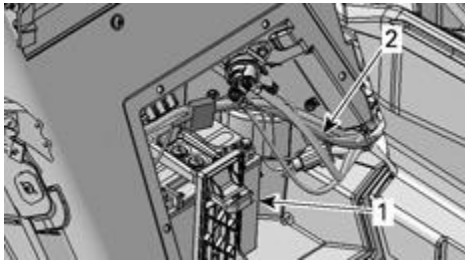
1. Harness

Remove passenger seat for battery access.
Route the harness along the vehicle harness.



1. Rear lower bulkhead opening
2. Harness

Unclip aft part of RH rear console panel to pass harness.
Connect harness on battery.



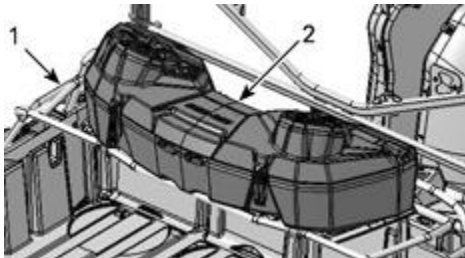
1. Battery
2. Harness

Secure harness along locking ties along the way onto frame and main harness.
Reinstall all removed parts.

SSV - Defender

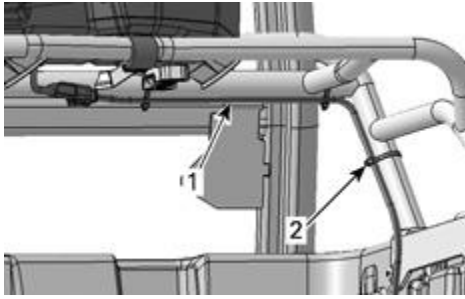
For LinQ Cargo Rack Kit (715003443)

Install audio trunk box [P1] on rear rack.



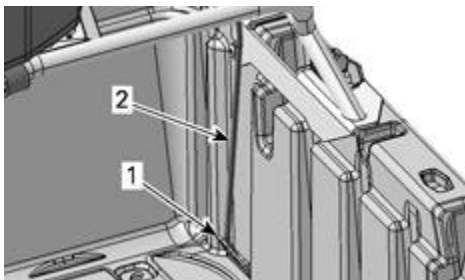
1. LinQ cargo rack kit (715003443)
2. Harness

Route the 1 meter harness (710005294) along frame as illustrated.



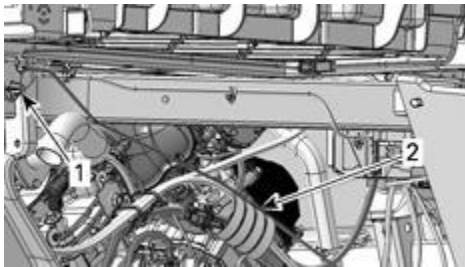
1. Harness
2. Locking tie

Route the 1 meter harness (710005294) along cargo box and pass in cargo fastener hole as illustrated.



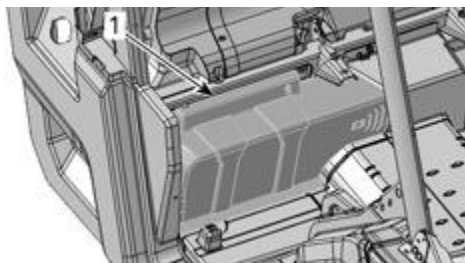
1. Cargo fastener hole
2. 1 meter harness (710005294)

Follow cargo box frame to cargo box pivot to connect with engine harness.



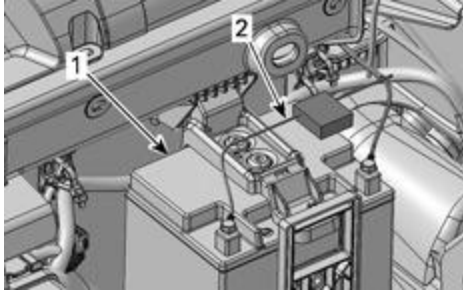
1. Cargo box pivot
2. Engine harness

Remove battery cover under passenger seat.



1. Battery cover

Connect the 1 meter harness (710005294) to battery.



1. Battery
2. 1 meter harness (710005294)

Secure the 1 meter harness (710005294) along locking ties along the way onto frame and main harness.

Reinstall all removed parts.

WARNING LABELS

This product comes with the following Warning labels containing important safety information.

The labels should be considered permanent part of this product. If the labels come off or become hard to read, please contact an authorized dealer for a free of charge replacement.

Any person who intends to use this product should read and understand the information contained on the labels before doing so.

ENGLISH LABEL [P8] (P/N 704905220)



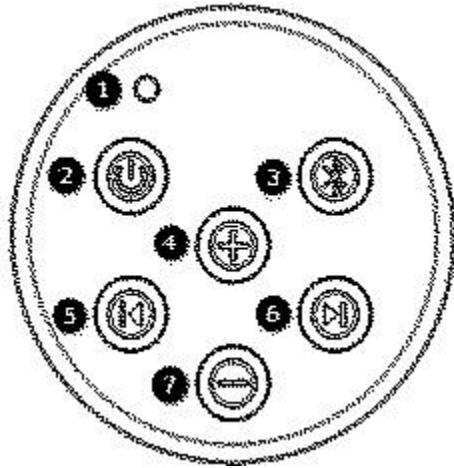
FRENCH LABEL [P9] (P/N 704905221)



The English warning label already installed. Install French warning label on top of it if needed. If label is damaged, remove it using a heat gun before installing French warning label.

1. To install the French warning label, proceed as follows:
 - 1.1 Clean installation zone with isopropyl alcohol and let dry.
 - 1.2 Remove adhesive protector from rear of warning label.
 - 1.3 Install warning label onto installation zone.

INSTRUCTIONS FOR USING THE AUDIO BOX



1. **RESET** - If needed, press to reset controller for bluetooth pairing
2. **POWER - PLAY/PAUSE** - Press and hold for 3-5 seconds to turn the unit ON or OFF. Once the unit is powered ON, press once for Pause/Play function
3. **BLUETOOTH INDICATOR** - Flashes BLUE when in pairing mode. Solid BLUE when paired to a device
4. **VOLUME UP** - Increases the sound volume
5. **TRACK BACK** - Skip to the previous track
6. **TRACK FORWARD** - Skip to the next track
7. **VOLUME DOWN** - Decreases the sound volume

Press and hold the Power button for 3 to 5 seconds to turn the Audio box ON.

Pairing with Bluetooth is easy, first press the Power button on the Audio box controller until you see the Bluetooth indicator light flash BLUE. Next turn ON your Bluetooth device and search for CanAm, then select it, that's it. You are now paired with the unit.

NOTE: You can only pair one device to the unit at a time. If the Bluetooth indicator is not blinking (indicating that it's in pairing mode) make sure that it's not connected to another device. If you are connected and want to pair with another device, first you must go to the settings in your Bluetooth device and turn it off allowing the Audio box to automatically search for new devices.

Some unique features on the Audio box - when playing your Bluetooth device, you can use the buttons on the controller to control your device by advancing tracks or replaying music on your device as well as volume. Also, by pressing the Power button on the controller music on the device will pause and by pressing it again, the music on the device will resume playing.

When finished listening to music, simply press the Power button for 3 to 5 seconds and the Audio box will turn OFF. If the Audio box does not sense a signal from the Bluetooth device for 10 minutes, it will automatically turn itself OFF.

WARRANTY INFORMATION

Warranty does not cover fading or discoloration caused by exposure to sunlight or chemicals such as ammonia, household bleach, or any cleaning material that contains abrasive substances.

Damage caused by accident, mishandling, improper installation, negligence, normal wear and tear, excessive water or heat damage, or products that have been altered in any way will not be covered under warranty.

Do not use pressure washer. Although the unit is sealed against most water or dirt intrusion, excessive pressure washing or complete submersion in water or snow is beyond the unit's design limits and the electronic components can be damaged. This damage will not be covered under any warranty.

FCC WARNING STATEMENT

Changes or modifications not expressly approved by the party responsible for compliance could void the user's authority to operate the equipment. This equipment has been tested and found to comply with the limits for a Class B digital device, pursuant to Part 15 of the FCC Rules. These limits are designed to provide reasonable protection against harmful interference in a residential installation. This equipment generates uses and can radiate radio frequency energy and, if not installed and used in accordance with the instructions, may cause harmful interference to radio communications. However, there is no guarantee that interference will not occur in a particular installation. If this equipment does cause harmful interference to radio or television reception, which can be determined by turning the equipment off and on, the user is encouraged to try to correct the interference by one or more of the following measures:

- Reorient or relocate the receiving antenna.
- Increase the separation between the equipment and receiver.
- Connect the equipment into an outlet on a circuit different from that to which the receiver is connected.
- Consult the dealer or an experienced radio/TV technician for help.

FCC Radiation Exposure Statement

The antennas used for this transmitter must be installed to provide a separation distance of at least 20 cm from all persons and must not be co-located for operating in conjunction with any other antenna or transmitter.

This device complies with Part 15 of the FCC Rules. Operation is subject to the following two conditions:

- (1) This device may not cause harmful interference, and
- (2) This device must accept any interference received, including interference that may cause undesired operation.