



# CTC Laboratories, Inc.

2/F., Building 1 and 1-2/F., Building 2, Jiaquan Building, Guanlan High-Tech Park, Longhua District, Shenzhen, Guangdong, China

Tel: +86-755-27521059 Fax: +86-755-27521011 Http://www.sz-ctc.com.cn

## TEST REPORT

**Report No.** .....: **GTI20191770E**

**FCC ID**.....: **2AT99-E61**

**Applicant**.....: **SHENZHEN FEIJIADA TECHNOLOGY CO., LTD.**

Address.....: 428, BLDG. 2, JINFANGHUA E-COMMERCE INDUSTRIAL PARK, LONGGANG DISTRICT, SHENZHEN, CHINA

Manufacturer.....: SHENZHEN FEIJIADA TECHNOLOGY CO., LTD.

Address.....: 428, BLDG. 2, JINFANGHUA E-COMMERCE INDUSTRIAL PARK, LONGGANG DISTRICT, SHENZHEN, CHINA

**Product Name**.....: **REMOTE CONTROL AIRCRAFT SERIES**

Trade Mark.....: N/A

Model/Type reference.....: E61

Listed Model(s) .....: Please see the page 7

**Standard**.....: **FCC CFR Title 47 Part 15 Subpart C Section 15.249**

Date of receipt of test sample: Aug. 01, 2019

Date of testing.....: Aug. 01, 2019 to Aug. 11, 2019

Date of issue.....: Aug. 12, 2019

**Result**.....: **PASS**

Compiled by:  
(Printed name+signature) Terry Su 

Supervised by:  
(Printed name+signature) Eric Zhang 

Approved by:  
(Printed name+signature) Walter Chen 

Testing Laboratory Name: CTC Laboratories, Inc.

Address: 2/F., Building 1 and 1-2/F., Building 2, Jiaquan Building, Guanlan High-Tech Park, Longhua District, Shenzhen, Guangdong, China

This test report may be duplicated completely for legal use with the approval of the applicant. It should not be reproduced except in full, without the written approval of our laboratory. The client should not use it to claim product endorsement by CTC. The test results in the report only apply to the tested sample. The test report shall be invalid without all the signatures of testing engineers, reviewer and approver. Any objections must be raised to CTC within 15 days since the date when the report is received. It will not be taken into consideration beyond this limit. The test report merely correspond to the test sample.



Table of Contents

Page

- 1. TEST SUMMARY..... 3
  - 1.1. TEST STANDARDS.....3
  - 1.2. REPORT VERSION.....3
  - 1.3. TEST DESCRIPTION.....4
  - 1.4. TEST FACILITY .....5
  - 1.5. MEASUREMENT UNCERTAINTY .....5
  - 1.6. ENVIRONMENTAL CONDITIONS .....6
- 2. GENERAL INFORMATION..... 7
  - 2.1. CLIENT INFORMATION .....7
  - 2.2. GENERAL DESCRIPTION OF EUT .....7
  - 2.3. DESCRIPTION OF TEST MODES .....8
  - 2.4. MEASUREMENT INSTRUMENTS LIST .....9
- 3. TEST ITEM AND RESULTS..... 11
  - 3.1. AC POWER LINE CONDUCTED EMISSIONS .....11
  - 3.2. 20 DB OCCUPIED BANDWIDTH .....13
  - 3.3. RADIATED FIELD STRENGTH OF THE FUNDAMENTAL SIGNAL.....15
  - 3.4. RADIATED SPURIOUS EMISSIONS AND BANDEDGE EMISSION .....17
  - 3.5. ANTENNA REQUIREMENT .....26
- 4. LABEL AND LABEL LOCATION ..... 27
- 5. EUT TEST PHOTOS..... 28
- 6. PHOTOGRAPHS OF EUT CONSTRUCTIONAL ..... 29



# 1. TEST SUMMARY

## 1.1. Test Standards

The tests were performed according to following standards:

[FCC Rules Part 15.249](#): Operation within the bands 902-928 MHz, 2400-2483.5 MHz, 5725-5875 MHz, and 24.0-24.25 GHz.

[ANSI C63.10-2013](#): American National Standard for Testing Unlicensed Wireless Devices.

## 1.2. Report version

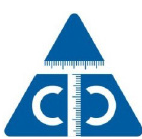
Version No.	Date of issue	Description
01	Aug. 12, 2019	Original



### 1.3. Test Description

Test Item	Section in CFR 47	Result	Test Engineer
AC Power Line Conducted Emissions	15.207	N/A	N/A
20dB Occupied Bandwidth	15.215/15.249	PASS	Terry Su
Field strength of the Fundamental signal	15.249(a)	PASS	Terry Su
Spurious Emissions	15.209/15.249(a)	PASS	Terry Su
Band edge Emissions	15.205/15.249(d)	PASS	Terry Su
Antenna requirement	15.203	PASS	Terry Su

Note: The measurement uncertainty is not included in the test result.  
This device is only powered battery, no need for part 15.207.



## 1.4. Test Facility

### Address of the report laboratory

#### CTC Laboratories, Inc.

Add: 2/F., Building 1 and 1-2/F., Building 2, Jiaquan Building, Guanlan High-Tech Park, Longhua District, Shenzhen, Guangdong, China

#### Laboratory accreditation

The test facility is recognized, certified, or accredited by the following organizations:

#### CNAS-Lab Code: L5365

CTC Laboratories, Inc. has been assessed and proved to be in compliance with CNAS-CL01 Accreditation Criteria for Testing and Calibration Laboratories (identical to ISO/IEC17025: 2005 General Requirements) for the Competence of Testing and Calibration Laboratories.

#### A2LA-Lab Cert. No.: CN1208

CTC Laboratories, Inc. EMC Laboratory has been accredited by A2LA for technical competence in the field of electrical testing, and proved to be in compliance with ISO/IEC 17025:2005 General Requirements for the Competence of Testing and Calibration Laboratories and any additional program requirements in the identified field of testing.

#### IC Registration No.: 9783A

The 3m alternate test site of CTC Laboratories, Inc. EMC Laboratory has been registered by Certification and Engineer Bureau of Industry Canada for the performance of with Registration NO.: 9783A on Jan, 2016.

#### FCC-Registration No.:951311

CTC Laboratories, Inc. EMC Laboratory has been registered and fully described in a report filed with the (FCC) Federal Communications Commission. The acceptance letter from the FCC is maintained in our files. Registration CN1208, Sep 07, 2017

## 1.5. Measurement Uncertainty

The data and results referenced in this document are true and accurate. The reader is cautioned that there may be errors within the calibration limits of the equipment and facilities. The measurement uncertainty was calculated for all measurements listed in this test report acc. to TR-100028-01 "Electromagnetic compatibility and Radio spectrum Matters (ERM);Uncertainties in the measurement of mobile radio equipment characteristics; Part 1" and TR-100028-02 "Electromagnetic compatibility and Radio spectrum Matters (ERM);Uncertainties in the measurement of mobile radio equipment characteristics; Part 2 " and is documented in the CTC Laboratories, Inc. quality system acc. to DIN EN ISO/IEC 17025. Furthermore, component and process variability of devices similar to that tested may result in additional deviation. The manufacturer has the sole responsibility of continued compliance of the device.

Below is the best measurement capability for CTC Laboratories, Inc.



Test Items	Measurement Uncertainty	Notes
Transmitter power conducted	0.42 dB	(1)
Transmitter power Radiated	2.14 dB	(1)
Conducted spurious emissions 9kHz~40GHz	1.60 dB	(1)
Radiated spurious emissions 9kHz~40GHz	2.20 dB	(1)
Conducted Emissions 9kHz~30MHz	3.20 dB	(1)
Radiated Emissions 30~1000MHz	4.70 dB	(1)
Radiated Emissions 1~18GHz	5.00 dB	(1)
Radiated Emissions 18~40GHz	5.54 dB	(1)
Occupied Bandwidth	-----	(1)

**Note (1):** This uncertainty represents an expanded uncertainty expressed at approximately the 95% confidence level using a coverage factor of  $k=1.96$ .

## 1.6. Environmental conditions

During the measurement the environmental conditions were within the listed ranges:

Temperature:	25°C
Relative Humidity:	55%
Air Pressure:	990kPa



## 2. GENERAL INFORMATION

### 2.1. Client Information

Applicant:	SHENZHEN FEIJIADA TECHNOLOGY CO., LTD.
Address:	428, BLDG. 2, JINFANGHUA E-COMMERCE INDUSTRIAL PARK, LONG GANG DISTRICT, SHENZHEN, CHINA
Manufacturer:	SHENZHEN FEIJIADA TECHNOLOGY CO., LTD.
Address:	428, BLDG. 2, JINFANGHUA E-COMMERCE INDUSTRIAL PARK, LONG GANG DISTRICT, SHENZHEN, CHINA

### 2.2. General Description of EUT

Product Name:	REMOTE CONTROL AIRCRAFT SERIES
Marketing Name:	N/A
Model/Type reference:	E61
Listed Model(s):	E61H, E520, E520S, E511, E511S, JD-27S, JD-28, JD-28S, JD-29, JD-29S, JD-30, JD-30S, E019, E020, E020S, E021, E021S, E61HW, E530, E530S, E531, E531S, EX4, EX5, JY020, JY021, JY022, JY023, JY024, E38, E111
Model Difference:	All these models are identical in the same PCB, layout and electrical circuit, the only difference is appearance color.
Power supply:	4.5Vdc from AAA Battery
Hardware version:	SJ-JY020T V1.5
Software version:	XNS104
<b>RF Specification</b>	
Modulation:	GFSK
Operation frequency:	2442MHz~2473MHz
Antenna type:	Internal Antenna
Antenna gain:	0.8dBi



## 2.3. Description of Test Modes

The EUT has been tested under test mode condition. The Applicant provides software to control the EUT for staying in continuous transmitting and receiving mode for testing.

### Operation Frequency List:

Channel	Frequency (MHz)
<b>01/(CH<sub>L</sub>)</b>	<b>2442</b>
02	2443
:	:
15	2456
<b>16/(CH<sub>M</sub>)</b>	<b>2457</b>
17	2458
:	:
31	2472
<b>32/(CH<sub>H</sub>)</b>	<b>2473</b>

Note: The display in grey were the channel selected for testing.

### Test Mode:

For RF test items
The engineering test program was provided and enabled to make EUT continuous transmit.
For AC power line conducted emissions:
The EUT was set to connect with large package sizes transmission.
For Radiated spurious emissions test item:
The engineering test program was provided and enabled to make EUT continuous transmit. The EUT in each of three orthogonal axis emissions had been tested, but only the worst case (X axis) data recorded in the report.





## 2.4. Measurement Instruments List

Tonscend JS0806-2 Test system					
Item	Test Equipment	Manufacturer	Model No.	Serial No.	Calibrated until
1	Spectrum Analyzer	Rohde & Schwarz	FSU26	100105	Dec. 28, 2019
2	Spectrum Analyzer	Rohde & Schwarz	FUV40-N	101331	Dec. 28, 2019
3	MXG Vector Signal Generator	Agilent	N5182A	MY47420864	Dec. 28, 2019
4	Signal Generator	Agilent	E8257D	MY46521908	Dec. 28, 2019
5	Power Sensor	Agilent	U2021XA	MY5365004	Dec. 28, 2019
6	Power Sensor	Agilent	U2021XA	MY5365006	Dec. 28, 2019
7	Simultaneous Sampling DAQ	Agilent	U2531A	TW54493510	Dec. 28, 2019
8	Climate Chamber	TABAI	PR-4G	A8708055	Dec. 28, 2019
9	Wideband Radio Communication Tester	Rohde & Schwarz	CMW500	116410	Dec. 28, 2019
10	Climate Chamber	ESPEC	MT3065	/	Dec. 28, 2019
11	300328 v2.1.1 test system	TONSCEND	v2.6	/	/

Item	Test Equipment	Manufacturer	Model No.	Serial No.	Calibrated until
1	EMI Test Receiver	Rohde & Schwarz	ESCI	100658	Dec. 28, 2019
2	High pass filter	micro-tranics	HPM50111	142	Dec. 28, 2019
3	Log-Bicon Antenna	Schwarzbeck	CBL6141A	4180	Dec. 28, 2019
4	Ultra-Broadband Antenna	ShwarzBeck	BBHA9170	25841	Dec. 28, 2019
5	Loop Antenna	LAPLAC	RF300	9138	Dec. 28, 2019
6	Spectrum Analyzer	Rohde & Schwarz	FSU26	100105	Dec. 28, 2019
7	Horn Antenna	Schwarzbeck	BBHA 9120D	647	Dec. 28, 2019
8	Pre-Amplifier	HP	8447D	1937A03050	Dec. 28, 2019
9	Pre-Amplifier	EMCI	EMC051835	980075	Dec. 28, 2019
10	Antenna Mast	UC	UC3000	N/A	N/A
11	Turn Table	UC	UC3000	N/A	N/A
12	Cable Below 1GHz	Schwarzbeck	AK9515E	33155	Dec. 28, 2019
13	Cable Above 1GHz	Hubersuhner	SUCOFLEX10 2	DA1580	Dec. 28, 2019
14	Splitter	Mini-Circuit	ZAPD-4	400059	Dec. 28, 2019
15	RF Connection Cable	HUBER+SUHNE R	RE-7-FL	N/A	Dec. 28, 2019
16	RF Connection Cable	Chengdu E-Microwave	---	---	Dec. 28, 2019

CTC Laboratories, Inc.

2/F., Building 1 and 1-2/F., Building 2, Jiaquan Building, Guanlan High-Tech Park, Longhua District, Shenzhen, Guangdong, China

Tel.: (86)755-27521059

Fax: (86)755-27521011

Http://www.sz-ctc.org.cn



中国国家认证认可监督管理委员会  
Certification and Accreditation Administration of the People's Republic of China

For anti-fake verification, please visit the official website of Certification and Accreditation Administration of the People's Republic of China : <http://yz.cnca.cn>



17	High pass filter	Compliance Direction systems	BSU-6	34202	Dec. 28, 2019
18	Attenuator	Chengdu E-Microwave	EMCAXX-10R NZ-3	---	Dec. 28, 2019
19	High and low temperature box	ESPEC	MT3065	12114019	Dec. 28, 2019

Conducted Emission					
Item	Test Equipment	Manufacturer	Model No.	Serial No.	Calibrated until
1	LISN	R&S	ENV216	101112	Dec. 28, 2019
2	LISN	R&S	ENV216	101113	Dec. 28, 2019
3	EMI Test Receiver	R&S	ESCI	100920	Dec. 28, 2019
4	UNIVERSAL RADIO COMMUNICATION	Rohde & Schwarz	CMU200	114694	Dec. 28, 2019

Note: 1. The Cal. Interval was one year.

2. The cable loss has calculated in test result which connection between each test instruments.

### 3. TEST ITEM AND RESULTS

#### 3.1. AC Power Line Conducted Emissions

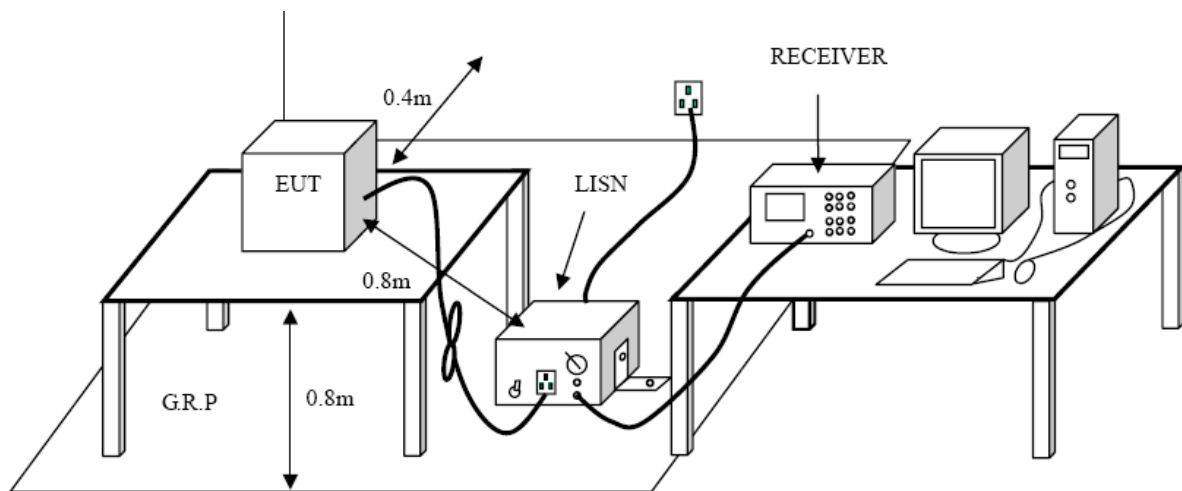
**Limit**

Frequency	Maximum RF Line Voltage (dB $\mu$ V)	
	Quasi-peak Level	Average Level
150kHz~500kHz	66 ~ 56 *	56 ~ 46 *
500kHz~5MHz	56	46
5MHz~30MHz	60	50

Notes:

- (1) \*Decreasing linearly with logarithm of the frequency.
- (2) The lower limit shall apply at the transition frequencies.
- (3) The limit decrease in line with the logarithm of the frequency in the range of 0.15 to 0.50MHz.

**Test Configuration**



**Test Procedure**

1. The EUT was setup according to ANSI C63.10:2013 requirements.
2. The EUT was placed on a platform of nominal size, 1 m by 1.5 m, raised 80 cm above the conducting ground plane. The vertical conducting plane was located 40 cm to the rear of the EUT. All other surfaces of EUT were at least 80 cm from any other grounded conducting surface.
3. The EUT and simulators are connected to the main power through a line impedances stabilization network (LISN). The LISN provides a 50ohm /50uH coupling impedance for the measuring equipment. The peripheral devices are also connected to the main power through a LISN. (Please refer to the block diagram of the test setup and photographs)
4. Each current-carrying conductor of the EUT power cord, except the ground (safety) conductor, was individually connected through a LISN to the input power source.
5. The excess length of the power cord between the EUT and the LISN receptacle were folded back and forth at the center of the lead to form a bundle not exceeding 40 cm in length.
6. Conducted Emissions were investigated over the frequency range from 0.15MHz to 30MHz using a receiver bandwidth of 9 kHz.
7. During the above scans, the emissions were maximized by cable manipulation.

**Test Mode:**

Please refer to the clause 2.3



## Test Results

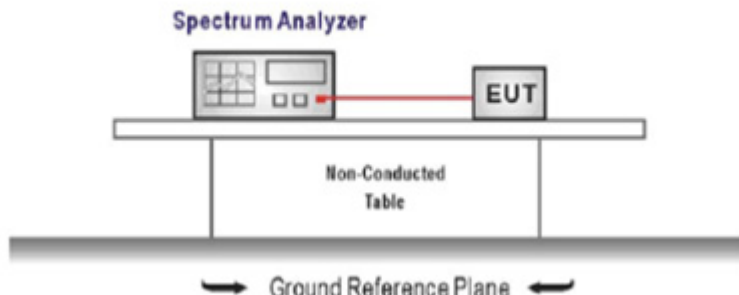
The EUT for the battery powered, no testing required.

### 3.2. 20 dB Occupied Bandwidth

**Limit**

Operation frequency range 2400MHz~2483.5MHz.

**Test Configuration**



**Test Procedure**

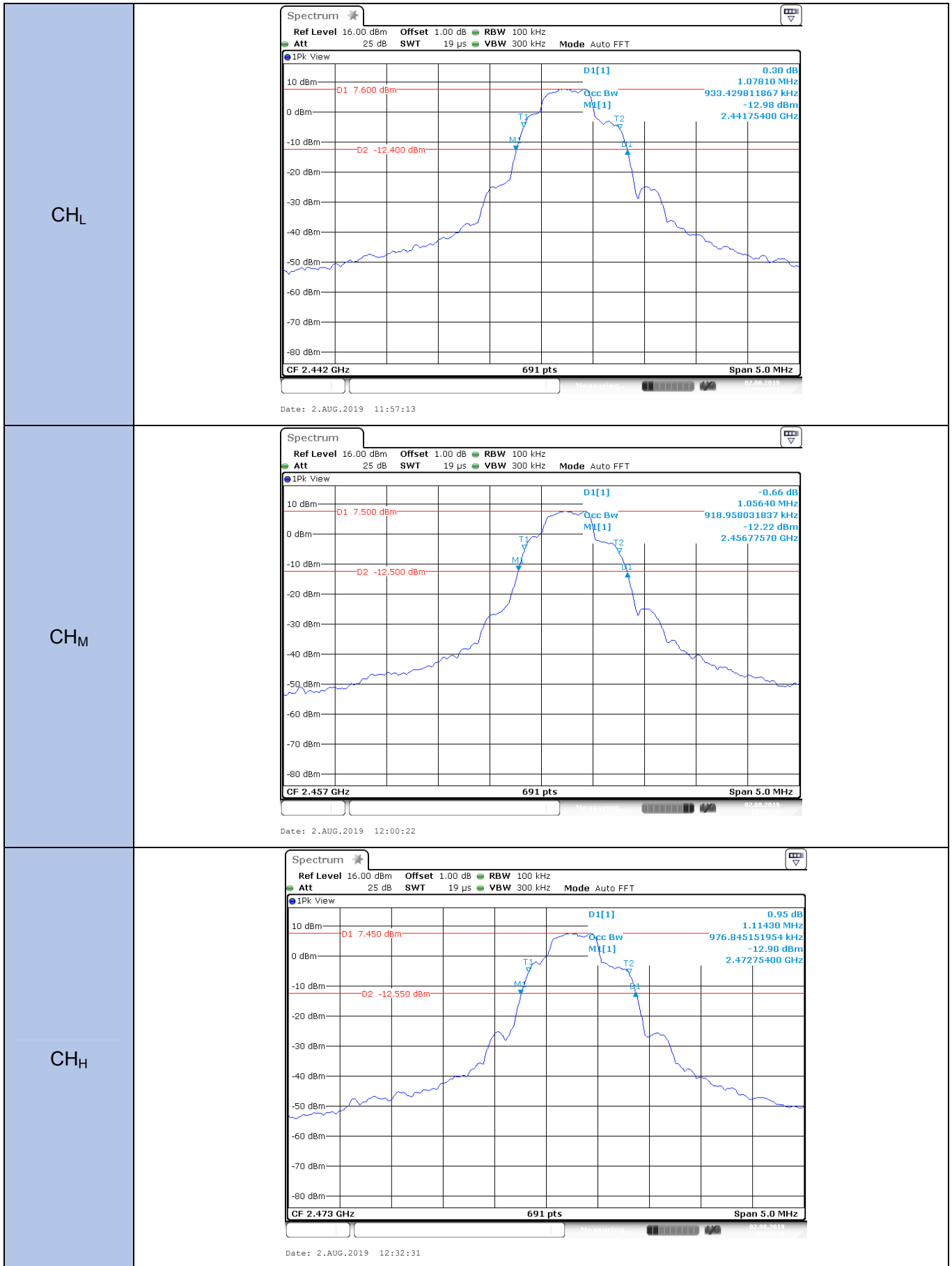
1. The transmitter output was connected to the spectrum analyzer through an attenuator, the path loss was compensated to the results for each measurement.
2. Set to the maximum power setting and enable the EUT transmit continuously
3. Use the following spectrum analyzer settings:  
 Span = approximately 2 to 3 times the 20 dB bandwidth, centered on a hopping channel  
 RBW ≥ 1% of the 20 dB bandwidth, VBW ≥ RBW  
 Sweep = auto, Detector function = peak, Trace = max hold
4. Measure and record the results in the test report.

**Test Mode:**

Please refer to the clause 2.3

**Test Results**

Type	Channel	20dB Bandwidth (MHz)	99% Bandwidth (MHz)	Result
GFSK	CH <sub>L</sub>	1.078	0.933	Pass
GFSK	CH <sub>M</sub>	1.056	0.919	Pass
GFSK	CH <sub>H</sub>	1.114	0.977	Pass



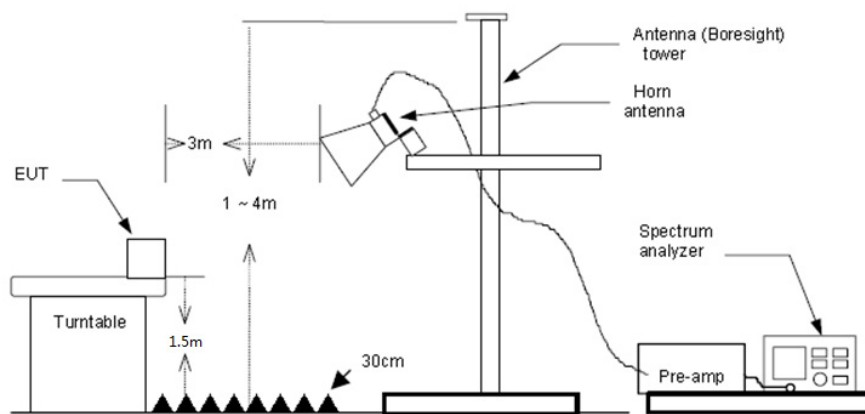
### 3.3. Radiated field strength of the fundamental signal

#### Limit

Fundamental frequency	Field strength of fundamental (millivolts/meter)	Field strength of harmonics (microvolts/meter)
902-928 MHz	50 (94dBuV/m @3m)	500 (54dBuV/m @3m)
2400-2483.5 MHz	50 (94dBuV/m @3m)	500 (54dBuV/m @3m)
5725-5875 MHz	50 (94dBuV/m @3m)	500 (54dBuV/m @3m)
24.0-24.25 GHz	250 (108dBuV/m @3m)	2500 (68dBuV/m @3m)

Frequencies above 1000 MHz, the field strength limits are based on average limits

#### Test Configuration



#### Test Procedure

1. The EUT was setup and tested according to ANSI C63.10:2013 requirements.
2. The EUT is placed on a turn table which is 1.5 meter above ground. The turn table is rotated 360 degrees to determine the position of the maximum emission level.
3. The EUT was positioned such that the distance from antenna to the EUT was 3 meters.
4. The antenna is scanned from 1 meter to 4 meters to find out the maximum emission level. This is repeated for both horizontal and vertical polarization of the antenna. In order to find the maximum emission, all of the interface cables were manipulated according to ANSI C63.10:2013 on radiated measurement.
5. The receiver set as follow:  
 RBW=1MHz, VBW=3MHz Peak detector for Peak value.  
 RBW=1MHz, VBW=3MHz RMS detector for Average value.

#### Test Mode

Please refer to the clause 2.3

**Test Results**

Frequency (MHz)	Read Level (dBuV)	Correction Factor (dB/m)	Level (dBuV/m)	Limit Line (dBuV/m)	Margin	Polarization	Test value
					(dB)		
2442	92.61	-6.27	86.34	114	-27.66	Vertical	Peak
2442	94.74	-6.27	88.47	114	-25.53	Horizontal	Peak
2457	90.22	-5.62	84.60	114	-29.40	Vertical	Peak
2457	64.26	-5.62	58.64	114	-55.36	Horizontal	Peak
2473	89.16	-6.22	82.94	114	-31.06	Vertical	Peak
2473	95.44	-6.22	89.22	114	-24.78	Horizontal	Peak

Remark:

1. Factor (dB/m) = Antenna Factor (dB/m) + Cable Factor (dB) - Pre-amplifier Factor
2. Margin value = Level - Limit value



### 3.4. Radiated Spurious Emissions and Bandedge Emission

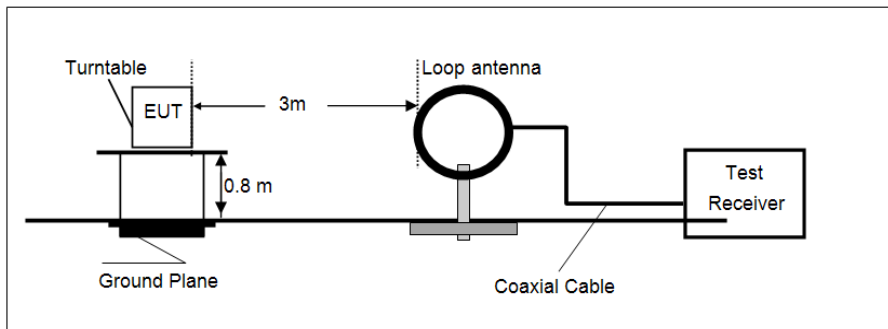
**Limit**

**FCC CFR Title 47 Part 15 Subpart C Section 15.209**

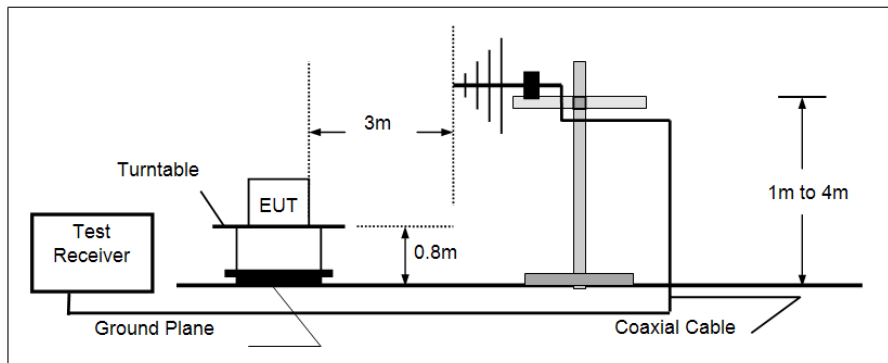
Frequency	Limit (dBuV/m @3m)	Value
30MHz~88MHz	40.00	Quasi-peak
88MHz~216MHz	43.50	Quasi-peak
216MHz~960MHz	46.00	Quasi-peak
960MHz~1GHz	54.00	Quasi-peak
Above 1GHz	54.00	Average
	74.00	Peak

**Test Configuration**

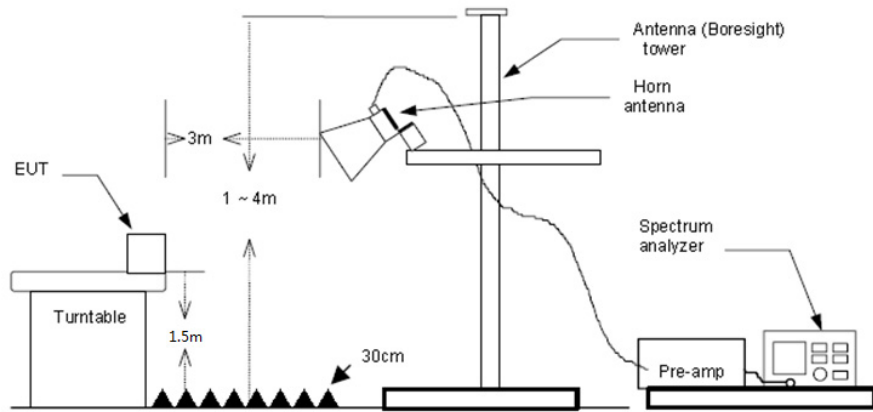
- 9 kHz ~ 30 MHz



- 30 MHz ~ 1 GHz



- Above 1 GHz



### Test Procedure

1. The EUT was setup and tested according to ANSI C63.10:2013 requirements.
2. The EUT is placed on a turn table which is 0.8 meter above ground for below 1 GHz, and 1.5 m for above 1 GHz. The turn table is rotated 360 degrees to determine the position of the maximum emission level.
3. The EUT was set 3 meters from the receiving antenna, which was mounted on the top of a variable height antenna tower. For each suspected emission, the EUT was arranged to its worst case and then tune the Antenna tower (from 1 m to 4 m) and turntable (from 0 degree to 360 degrees) to find the maximum reading. A pre-amp and a high pass filter are used for the test in order to get better signal level to comply with the guidelines.
4. Set to the maximum power setting and enable the EUT transmit continuously.
5. Use the following spectrum analyzer settings  
Span shall wide enough to fully capture the emission being measured;  
(1)Below 1 GHz:  
RBW=120 kHz, VBW=300 kHz, Sweep=auto, Detector function=peak, Trace=max hold;  
If the emission level of the EUT measured by the peak detector is 3 dB lower than the applicable limit, the peak emission level will be reported. Otherwise, the emission measurement will be repeated using the quasi-peak detector and reported.  
(2)From 1 GHz to 10th harmonic:  
RBW=1MHz, VBW=3MHz Peak detector for Peak value.  
RBW=1MHz, VBW=3MHz RMS detector for Average value.

### Test Mode:

Please refer to the clause 2.3

### Test Results

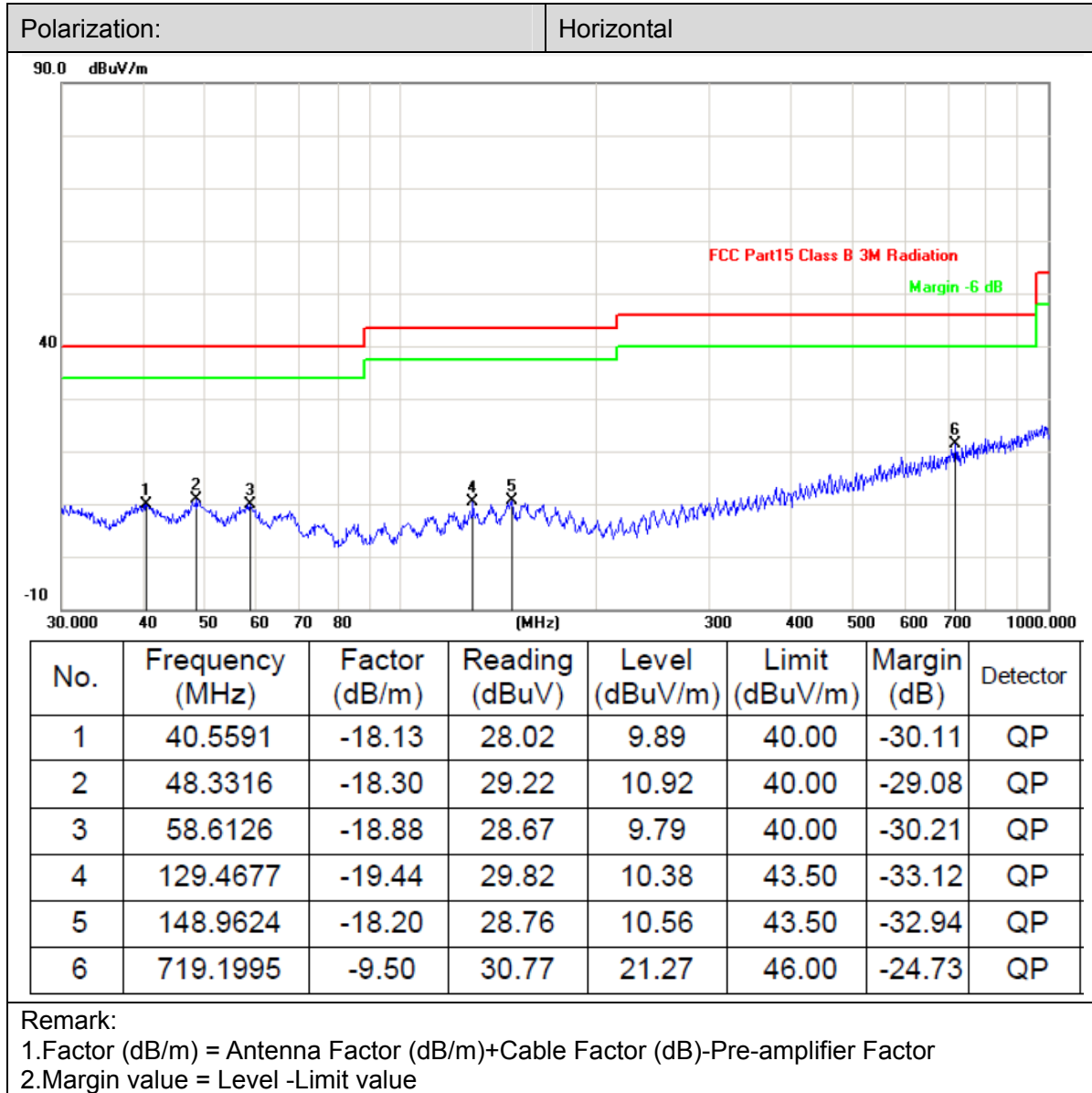
#### Radiated Spurious Emissions

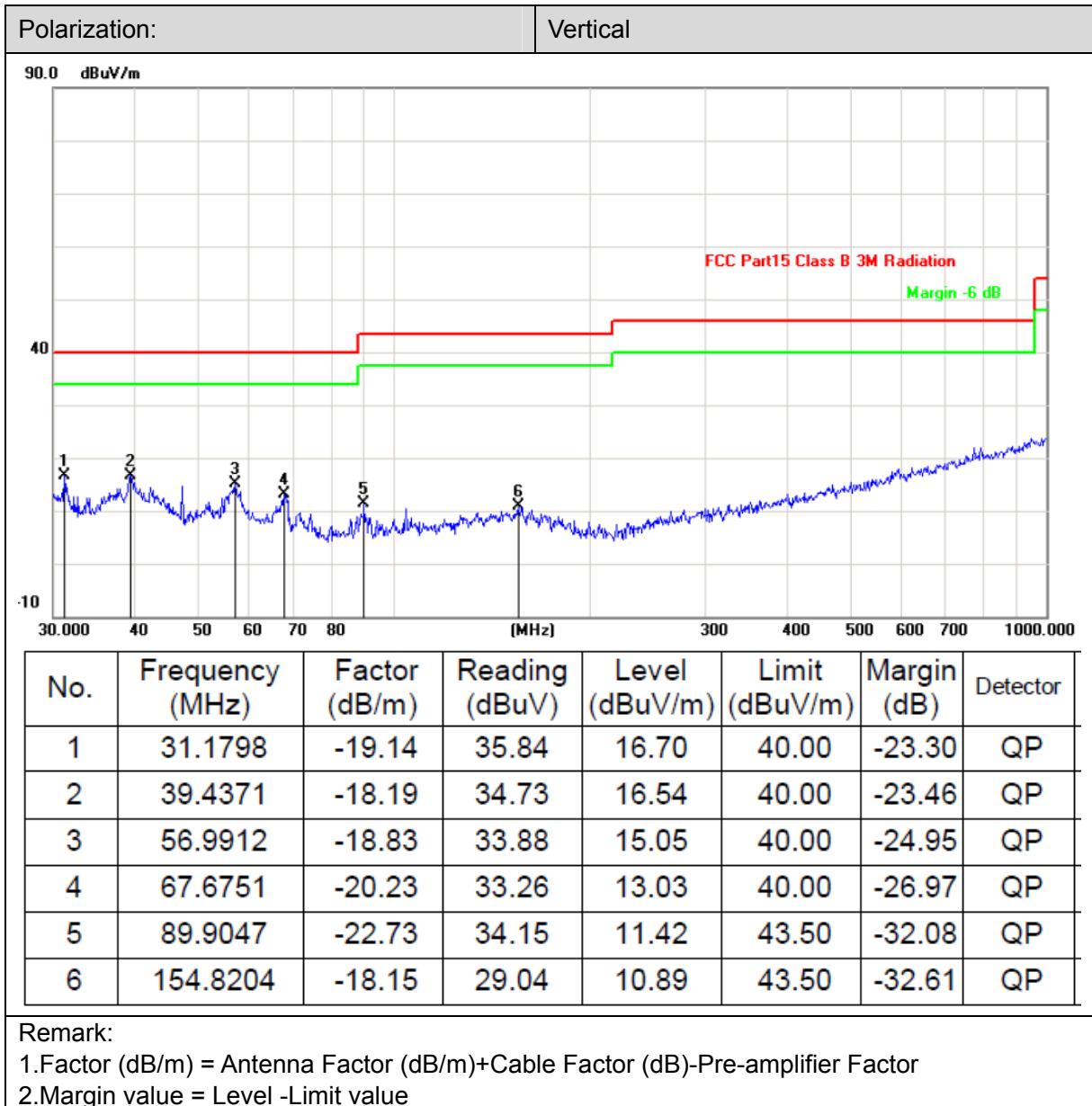
##### ■ 9 kHz ~ 30 MHz

The EUT was pre-scanned the frequency band (9 kHz ~ 30 MHz), found the radiated level lower than the limit, so don't show on the report.



■ 30 MHz ~ 1 GHz







■ Above 1 GHz

Channel	Frequency (MHz)	Spurious Emission		Limit (dBuV/m)	Result
		Polarization	Level (dBuV/m)		
LCH	4884	Horizontal	39.15	74	Pass
	7326	Horizontal	40.94	74	
	9768	Horizontal	43.12	74	
	4884	Horizontal	29.14	54	Pass
	7326	Horizontal	30.95	54	
	9768	Horizontal	32.66	54	
LCH	4884	Vertical	39.61	74	Pass
	7326	Vertical	42.58	74	
	9768	Vertical	44.26	74	
	4884	Vertical	28.63	54	Pass
	7326	Vertical	30.69	54	
	9768	Vertical	31.66	54	

Channel	Frequency (MHz)	Spurious Emission		Limit (dBuV/m)	Result
		Polarization	Level (dBuV/m)		
MCH	4914	Horizontal	40.26	74	Pass
	7371	Horizontal	41.59	74	
	9828	Horizontal	42.63	74	
	4914	Horizontal	29.63	54	Pass
	7371	Horizontal	31.27	54	
	9828	Horizontal	33.14	54	
MCH	4914	Vertical	40.66	74	Pass
	7371	Vertical	42.94	74	
	9828	Vertical	44.62	74	
	4914	Vertical	29.51	54	Pass
	7371	Vertical	30.73	54	
	9828	Vertical	33.62	54	

Channel	Frequency (MHz)	Spurious Emission		Limit (dBuV/m)	Result
		Polarization	Level (dBuV/m)		
HCH	4946	Horizontal	38.15	74	Pass
	7419	Horizontal	39.53	74	
	9892	Horizontal	42.63	74	
	4946	Horizontal	29.62	54	Pass
	7419	Horizontal	31.00	54	
	9892	Horizontal	34.15	54	
HCH	4946	Vertical	45.62	74	Pass
	7419	Vertical	47.21	74	
	9892	Vertical	49.62	74	
	4946	Vertical	28.15	54	Pass
	7419	Vertical	30.43	54	
	9892	Vertical	33.96	54	

Remark:

- Factor (dB/m) = Antenna Factor (dB/m)+Cable Factor (dB)-Pre-amplifier Factor
- Margin value = Level -Limit value

CTC Laboratories, Inc.

2/F., Building 1 and 1-2/F., Building 2, Jiaquan Building, Guanlan High-Tech Park, Longhua District, Shenzhen, Guangdong, China

Tel.: (86)755-27521059

Fax: (86)755-27521011

Http://www.sz-ctc.org.cn

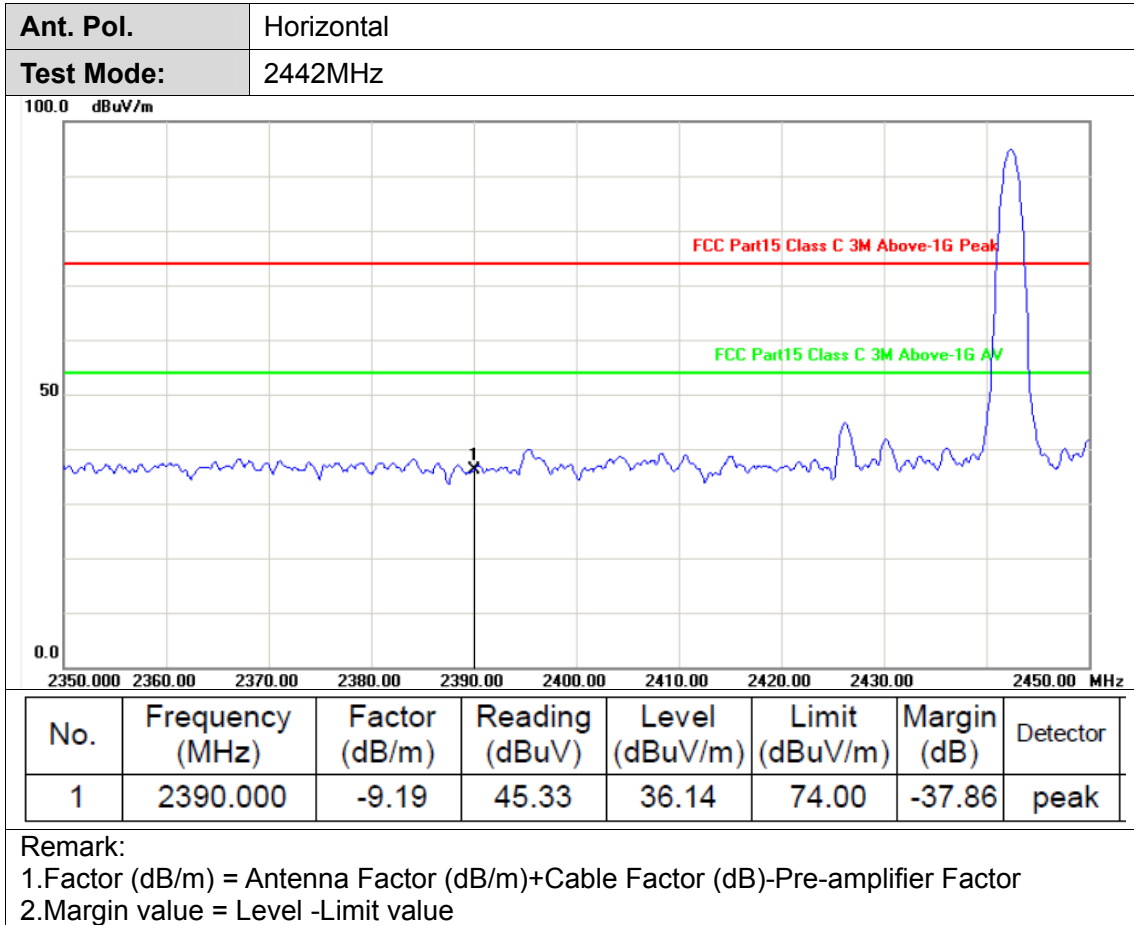


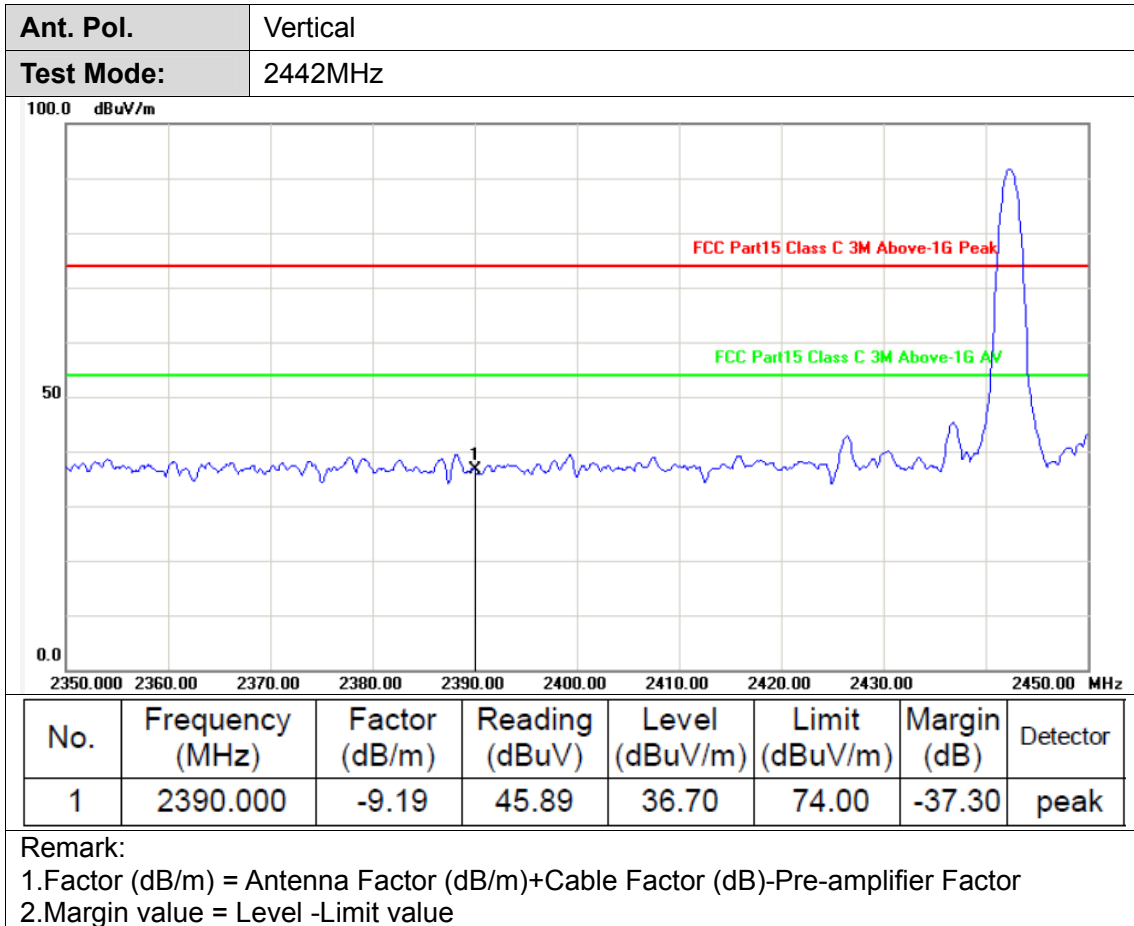
For anti-fake verification, please visit the official website of Certification and

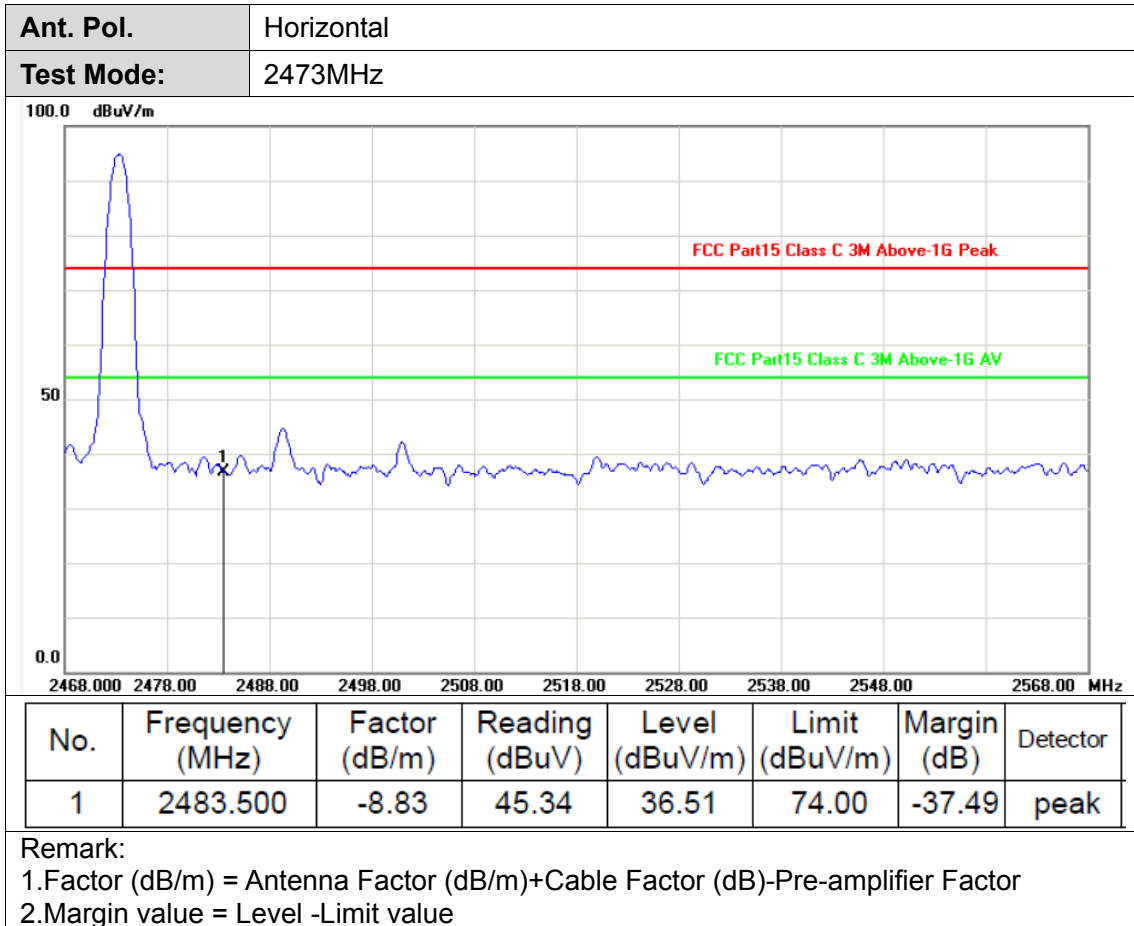
Accreditation Administration of the People's Republic of China : <http://yz.cnca.cn>



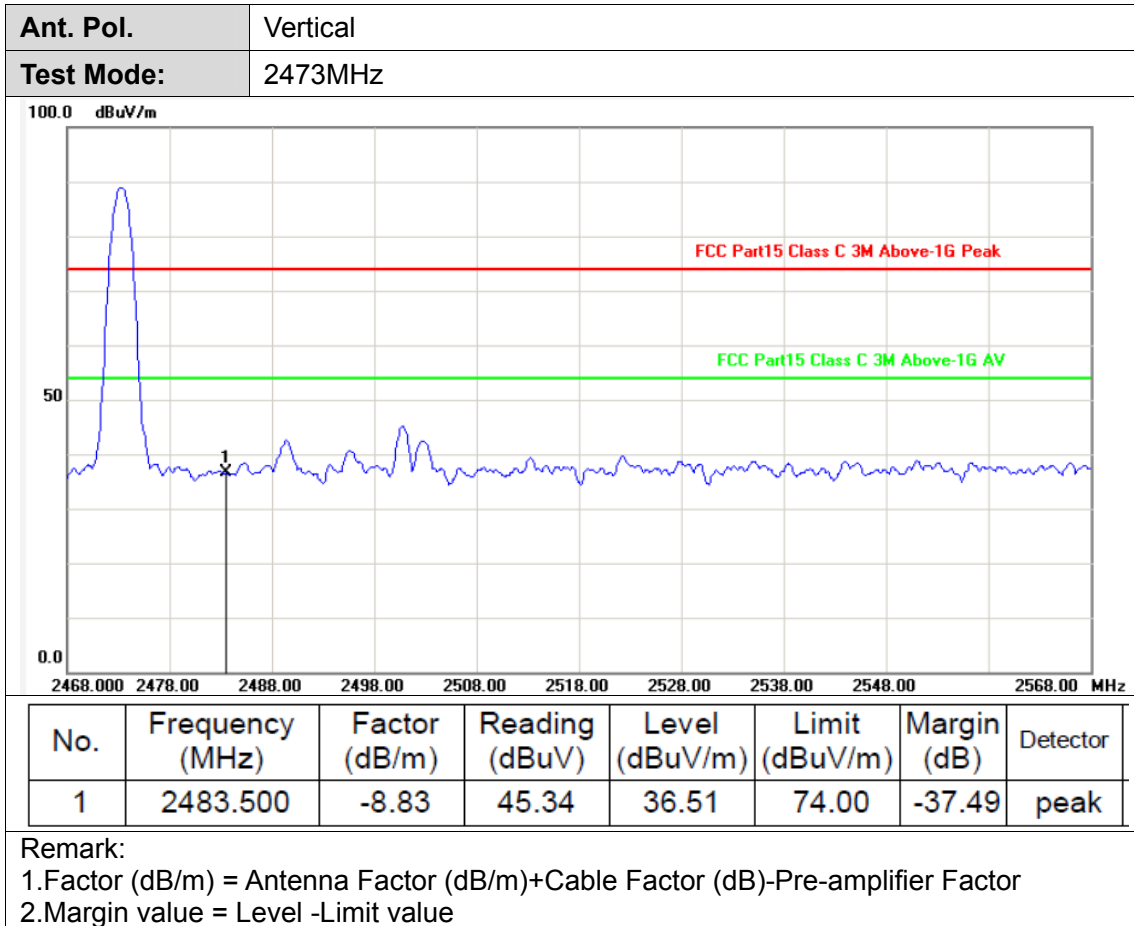
**Bandedge Emission**













### 3.5. Antenna requirement

#### Requirement

##### **FCC CFR Title 47 Part 15 Subpart C Section 15.203:**

An intentional radiator shall be designed to ensure that no antenna other than that furnished by the responsible party shall be used with the device. The use of a permanently attached antenna or of an antenna that uses a unique coupling to the intentional radiator, the manufacturer may design the unit so that a broken antenna can be replaced by the user, but the use of a standard antenna jack or electrical connector is prohibited.

(i) Systems operating in the 2400~2483.5 MHz band that is used exclusively for fixed. Point-to-point operations may employ transmitting antennas with directional gain greater than 6dBi provided the maximum conducted output power of the intentional radiator is reduced by 1 dB for every 3 dB that the directional gain of the antenna exceeds 6dBi.

#### Test Result

The directional gain of the antenna less than 6dBi, please refer to the EUT internal photographs antenna photo.