



USER MANUAL

Safera Sense

Smart Cooking Sensor



We sense what humans don't

SLI 23.12.2019
22078_01-E

1. Introduction

1.1. Introduction

Congratulations for buying the Safera Sense Smart Cooking Sensor.

This guide describes the use and maintenance of the product. Before reading, please check the Safera website for an updated version of this user manual:
www.safera.com/support

We wish you safe and enjoyable cooking!

1.2. Manufacturer Information

The product is designed and manufactured by Safera, a Finnish company of experts in smart cooking.

Safera Oy

Tekniikantie 4
02150 Espoo, Finland

Product support

www.safera.com/support
email: support@safera.com
tel.: +358 40 1897 146

1.3. Importer Information

Safera Oy

Tekniikantie 4
02150 Espoo, Finland

2. Information and Warnings



2.1. General Warnings

- Using Safera Sense does not remove your responsibility of safe cooking. Read chapter 6 carefully for limitations.
- Safera Sense does not replace statutory home fire alarms. Ensure that fire safety at your home follows the local regulations.
- Flame cooking is prohibited under the cooker hood. Also, operating gas stove burners without pans is prohibited.
- Safera Sense is meant for household use only. The appliance must not be used in professional kitchens or with cookers and hobs meant for professional use.
- Safera Sense is not user serviceable. For safety and reliability reasons, do not disassemble the product. Contact Safera for all service needs.
- Safera Sense controls the stove and/or oven only if it is equipped and correctly coupled with the optional Power Control Unit (PCU).

2.2. Battery Safety Information

Failure to follow the instructions below may cause the batteries to leak fluid and gas, or even explode:

- Do not expose batteries to excessive heat, insert them with wrong polarity, or try to recharge them.
- Always replace all batteries at once, using the same make, model and age for all batteries.
- Do not leave empty batteries inside the device for prolonged periods.

- Recycle the empty batteries according to local regulations, do not place in domestic waste.
- If the leaked fluid gets into your eyes, do not rub them, as there is a risk of losing eyesight. Rinse your eyes with water and contact a physician immediately.
- If the leaked fluid gets into your mouth, rinse with water and contact a physician immediately.
- If the leaked fluid gets on your skin or clothes, rinse with copious amounts of water to prevent burns.

2.3. Laser Safety Information

The product contains two laser light sources:

1. **Class 1** laser as part of the optical distance and gesture detection system. This is an invisible infrared laser, similar to commonly used autofocus lasers in (cell phone) cameras. It is directed from the sensor lens area towards the stove area.
2. **Class 3R** laser as part of the air quality sensor system. This rating applies only in a case where This laser is inside the product and not directly visible for the user during normal operation. Diffused reflections may be seen if the battery cover / mounting bracket is removed. Do not stare into these reflections closely or inspect them with optical instruments. Care must be taken to not damage or disassemble the sensor unit so that the laser source becomes fully exposed. In case of accidental enclosure damage which fully exposes the visible red laser beam, avoid direct eye exposure to the beam and do not inspect it with optical instruments. In such case, remove the batteries and discontinue the use of the product.



3. Main Features

3.1. Cooking Safety

Safera Sense monitors the stove area and improves cooking safety by sounding an alarm if it detects a potentially dangerous cooking situation. These situations may be, for example, an overheating pan or prolonged lack of human presence during cooking. However, please note that not all possible hazards may be detected. Also note the limitations in chapters 2.1 and 11. This functionality can be used also without a Bluetooth connection to a mobile phone.

3.2. Air Quality

Safera Sense indicates and monitors kitchen air quality. This functionality requires the Safera App and Bluetooth

connection to a mobile phone. More accurate list of currently supported air quality sensors and values are available in the Safera App.

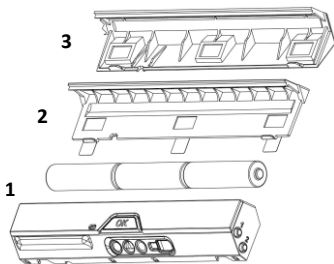
3.3. Smart Cooking

Safera Sense's smart cooking features helps you cook better and easier. These features include automated timers and temperature related helpers. This functionality requires the Safera App and Bluetooth connection to a mobile phone.

Additional features will be added via wireless software update from the Safera App.

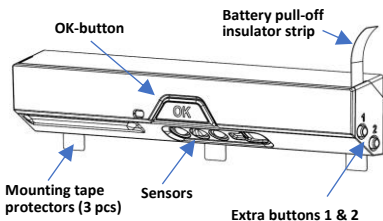
4. Installation

4.1. Check the Delivery Contents



The following components should be included:

1. Sensor unit with pre-installed batteries (3 x AA)
2. Wall mount bracket (pre-installed)
3. Cooker hood mount bracket (not installed)
4. This user manual

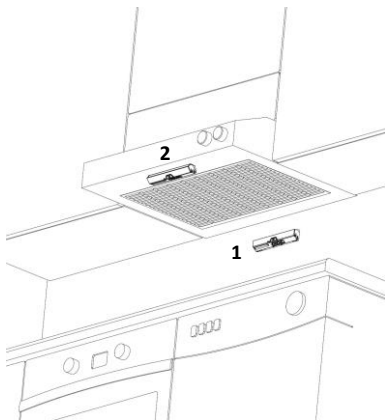


4.2. Power up the Sensor Unit

Detach the wall mount bracket to uncover the battery compartment by pulling it gently open. The bracket is held in place by magnets. Remove the plastic pull-off insulator

strip at the battery compartment. The sensor unit is now powered.

4.3. Mount the Sensor Unit



There are two alternative mounting methods:

1. Kitchen wall

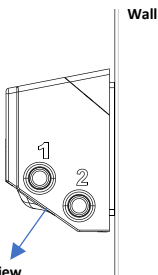
Use the wall mount bracket (installed by default). The Sensor Unit should be installed levelled, so that the sensors are pointing downwards towards the stove.

2. Cooker hood bottom

Use the cooker hood bracket (separate in the delivery box). The Sensor Unit should be installed levelled at on the bottom of the cooker hood. The front edge of the Sensor Unit should be positioned in the front edge of the front burners, OK-button facing the user.

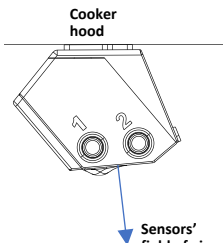
1.
Wall
mount
bracket

Sensors'
field of view



2.
Cooker
hood
mount
bracket

Sensors'
field of view



For the most up to date mounting method and stove support information, please refer to the “install a new Safera Sense” -section in the Safera App. If unable to use the app, refer to the table below:

Allowed mounting height specifications	
Wall mount, stove width up to 60 cm	50 cm +/- 5 cm
Wall mount, stoves width from 60 cm to 90 cm	60 cm +/- 5 cm
Cooker hood mount, electric hobs up to 60 cm width	45 cm ... 85 cm
Cooker hood mount, electric hobs from 60 cm to 90 cm	55 cm ... 85 cm
Cooker hood mount, gas hobs	75 cm ... 85 cm

Mounting height shall be measured from the stove surface to the top of the Sensor Unit enclosure.

Note that at the time of writing, stoves wider than 90 cm are not supported.

Mounting guide:

1. Select the most suitable mounting method and place the appropriate mounting bracket on the sensor unit.
2. Make sure that there is no obstruction in the sensors' field of view between the selected Sensor Unit location and the stove.
3. Make sure that the mounting location is free of direct sunlight and other sources of powerful light and heat.
4. Thoroughly clean the mounting location surface.
5. Mark the exact position to the mounting location.
6. Remove the red protection strip(s) covering the adhesive tape(s) on the mounting bracket and firmly place the Sensor Unit into the marked location.

4.4. Download the free Safera App

Please install the Safera App to your mobile phone. The App is needed for firmware updates, configuration and advanced features (Smart Cooking and Air Quality).

Connecting Safera App with Safera Sense:

1. Download and install Safera App to your mobile phone (search for "Safera App" in the App Store).
2. Open the Safera App and choose "Connect to a New Safera Sense".
3. Press the OK-button on the Sensor Unit.
4. "Safera" or "Safera Sense" should appear on the list. Select it by touching.
5. If asked for Bluetooth pairing, answer to allow it.
6. If asked for Sensor Unit Firmware Update, answer to allow it. This is very important in order to ensure that the product's performance is up to date
7. Go to the "Install a new Safera Sense" -section in the Safera App (this section may also launch automatically at this point). The App will guide you through questions regarding your kitchen and stove type and then automatically configures the Safera Sense for your environment.

5. Normal Operation

5.1. Cooking safety features

Stove guard functions of the Safera Sense will activate automatically when cooking is detected. However, if a Bluetooth connection to the Safera App is needed, please press the OK-button to make a connection between the Safera App and Safera Sense. Blue blinking light indicates that Sense is looking for a Bluetooth connection to the mobile phone. When the connection is established successfully, the blinking will end.

Alarm sound with a red blinking light indicates that the cooker is dangerously hot, or the cooker or oven is left on for too long without human presence. When you hear the alarm, check the situation calmly. If there is no danger, you can silence the alarm by pressing the OK-button.

5.2. Smart cooking features

Smart cooking features are described in the Safera App. See "Smart Cooking" -section of the App.

5.3. Air quality features

Air quality sensor data, alarms and related features are described in the Safera App. See the “Air Quality” -section of the App.

5.4. Indication summary

LED color	Sound	Function
Red blinking, one time	Yes, high pitch	Cooker danger
Red blinking three times	Yes, low pitch 3-tone	Battery low
Blue blinking, continuous	No	Sense is looking for a Bluetooth connection to a mobile phone
Blue light, constant	No	Sensor Unit is in <i>software update mode</i> . Keep your mobile phone close and do not shut down the Safera App during software update.
Green light, constant	No	Sensor Unit is entering <i>software update mode</i> . If the green light does not turn blue in two minutes, remove and re-insert batteries.
Purple light, constant	No	Sensor Unit is in Optional Accessory Pairing Mode
Yellow light, constant	No	Factory reset in progress, may take a couple of minutes

6. Maintenance

6.1. Regular maintenance

To ensure continued safe and reliable operation, follow these maintenance instructions at least once every three months or more frequently if needed:

1. Press the OK-button to perform self-diagnostics: when the Sensor Unit is in working order, the indicator light will blink in green. Any other color indicates a problem – please see section “Troubleshooting”.
2. If there is visible dirt or grease accumulation, wipe the Sensor Unit with a soft cloth moistened with water or a mild detergent, such as washing up liquid. Avoid pressing the appliance buttons and sensors.

6.2. Battery life and low battery

In normal use, the batteries should last between 6 and 18 months. Frequent usage of the air quality sensors and the Bluetooth connection with the smartphone app will tend to decrease battery lifetime.

The Sensor Unit sounds a beep with an orange indication light when the battery life is expected to run out soon (typically in a couple of weeks). Replace the batteries according to the following instructions.

You may reset the low battery alarm for 12 hours by pressing the OK-button.

If the batteries are not replaced, Safera Sense switches itself off when the batteries are fully depleted. If the system is equipped with the optional Power Control Unit (PCU), it will also shut down the electric power to the stove.

6.3. Battery replacement

Remove the sensor unit from the mounting bracket by pulling it gently.



Remove the empty batteries.

Place the new AA/LR6 Alkaline batteries in the sensor unit. Notice the correct battery orientation marking inside the battery compartment, where the “+”-symbol marks the positive terminal of the battery according to this picture:



Place the sensor unit back onto the mounting bracket.

7. Troubleshooting

Press the OK-button to find out the problem type. The indicator light:

Blinks in blue	Blinks in yellow
Once: Problem with wireless connection.	Once: Problem with sensors
Twice: Problem with the optional Power Control Unit.	Twice: Problem with sensor unit electronics or software
Three times: Power Control Unit over-heating.	Three times: Faulty installation position of the sensor unit: see remedy on the table below.

Problem	Remedy
Faulty installation position of the Sensor Unit.	Sensor Unit has detected that it is not installed on a level surface, pointing directly at the stove. If mounted under cooker hood, check that the cooker hood bottom surface is perfectly level. Also check that the sensor distance from the stove is within the limitations of chapter 4.3.
The appliance repeatedly gives false alarms	Test the working order according to chapter 6.1. If the product is in working order, but gives repeatedly false alarms, you may adjust the alarm sensitivity. See the "general settings" - section in the Safera App.

8. Technical Specifications

Model name	Sense (IFU10B)
Battery type	3 x AA/LR6 Alkaline
Battery life	6...18 months depending on use cases
Wireless connection	Bluetooth 5.0 (BLE) Range: 10 ... 50 meters depending on mobile phone model and physical obstructions Frequencies used: 2402 ... 2480 MHz Maximum transmit power: 2 dBm Maximum radiated power: 3.5 dBm
Pollution degree	2
Operational temperature	0...50 C (long-term) 0...70 C (short-term)

9. For private households in EU: Information on Disposal for Users of WEEE



This symbol on the product(s) and / or accompanying documents means that used electrical and electronic equipment (WEEE) should not be mixed with general household waste. For proper treatment, recovery and recycling, please take this product(s) to designated collection points where it will be accepted free of charge. Alternatively, in some countries, you may be able to return your products to your local retailer upon purchase of an equivalent new product.

Disposing of this product correctly will help save valuable resources and prevent any potential negative effects on

human health and the environment, which could otherwise arise from inappropriate waste handling. Please contact your local authority for further details of your nearest designated collection point. Penalties may be applicable for incorrect disposal of this waste, in accordance with your national legislation.

10. Conformity

Safera Oy declares that Sense is in compliance with the following EU directives and standards. Full text of the EU declaration of conformity is available at the following internet address: www.safera.com/support/doc/sense

Directives: 2014/53/EU, 2015/863/EU, 2011/65/EU, 2012/19/EU

Stove guard performance, only for electric hobs, only when used in conjunction with the optional Power Control Unit (PCU): EN 50615:2015 (Category B)

Safety: IEC/EN 62368-1:2014 + AC:2015 +A11:2017
EMC: EN 301 489-1 V2.2.0, EN 301 489-17 V3.2.0
RF: EN 300 328 V2.1.1, EN 62311:2008

FCC ID: 2AT88-1000021194

This device complies with part 15 of the FCC Rules. Operation is subject to the following two conditions: (1) This device may not cause harmful interference, and (2) this device must accept any interference received, including interference that may cause undesired operation.

This device complies with FCC RF exposure limits and has been evaluated in compliance with mobile exposure conditions. The antenna must be installed and operated with minimum distance of 20 cm between the radiator and your body.

Changes or modifications not expressly approved by the party responsible for compliance could void the user's authority to operate the equipment.

Class B device notice

NOTE: This equipment has been tested and found to comply with the limits for a Class B digital device, pursuant to part 15 of the FCC Rules. These limits are designed to provide reasonable protection against harmful interference in a residential installation. This equipment generates, uses and can radiate radio frequency energy and, if not installed and used in accordance with the instructions, may cause harmful interference to radio communications. However, there is no guarantee that interference will not occur in a particular installation. If this equipment does cause harmful interference to radio or television reception, which can be determined by turning the equipment off and on, the user is encouraged to try to correct the interference by one or more of the following measures: —Reorient or relocate the receiving antenna. — Increase the separation between the equipment and receiver. —Connect the equipment into an outlet on a circuit different from that to which the receiver is connected. —Consult the dealer or an experienced radio/TV technician for help.



Mikko Reinikainen, CEO
Espoo Finland 19.8.2019

11. Safera Warranty and Firmware License Terms and Conditions

IMPORTANT NOTICE: THIS IS A SMART COOKING ASSISTANCE PRODUCT. THIS IS NOT A SAFETY PRODUCT AND IS NOT INTENDED TO PREVENT ACCIDENTS. YOU EXPLICITLY AGREE AND UNDERSTAND THAT THE PRODUCT, THE SAFERA APP (MOBILE APPLICATION) AND/OR A COMPATIBLE POWER CONTROL UNIT ARE NOT EMERGENCY ALARM OR RESPONSE SYSTEMS AND WILL NOT NOTIFY, CONTACT OR DISPATCH ANY EMERGENCY AUTHORITIES. ANY AND ALL EMERGENCY SITUATIONS SHOULD BE DIRECTED AT THE RELEVANT EMERGENCY AUTHORITIES.

ABSENT YOU HAVING THE SAFERA APPLICATION INSTALLED TO AN UP-TO-DATE SMARTPHONE (iOS OR ANDROID) AND HAVING PROPERLY INSTALLED A DULY COMPATIBLE POWER CONTROL UNIT, THE FUNCTIONALITY OF THIS DEVICE WILL BE LIMITED - PLEASE SEE www.safera.com/products FOR FURTHER DETAILS.

FURTHER, THE USE OF THIS PRODUCT IN ACCORDANCE WITH THE CENELEC STANDARD EN 50615:2015 REQUIRES, ADDITIONALLY, THE PROPER INSTALLATION OF A DULY COMPATIBLE POWER CONTROL UNIT, PLEASE SEE www.safera.com/products FOR FURTHER DETAILS.

PLEASE READ SAFERA'S PRIVACY POLICY AT WWW.SAFERA.COM/PRIVACYPOLICY. FOR CLARITY, IN ORDER TO IMPROVE ITS PRODUCTS AND SERVICES AND THE FUNCTIONALITY OF THE APPLICATION, SAFERA USES THE SENSORS (INCLUDING, AMONG OTHERS, A MICROPHONE) WITHIN THE PRODUCT TO COLLECT GENERAL COOKING RELATED DATA, IN THE PROCESS OF WHICH SAFERA MAY COLLECT DATA WHICH CAN BE CONSIDERED AS PERSONAL DATA IN CERTAIN COUNTRIES. AS SUCH DATA IS COLLECTED FOR THE AFOREMENTIONED PURPOSES, SAFERA HAS NO INTENTION TO CONNECT SUCH DATA TO INDIVIDUAL END-USERS.

BY USING THE PRODUCT, YOU EXPLICITLY UNDERSTAND AND AGREE TO THE AFORESAID.

These are the Safera Warranty and Firmware License Terms and Conditions ("Terms") between you ("You") and Safera Oy ("Safera"). These Terms give You certain legal rights, in addition to which You may have further legal rights on the basis of the laws applicable in your domicile. Please read these Terms carefully before commencing the use of the Product.

BY USING THE PRODUCT, YOU AGREE TO BE BOUND BY THESE TERMS. YOU MAY NOT USE THE PRODUCT WITHOUT AGREEING TO THE TERMS.

1. Warranty Grant

Safera grants You an optional, limited manufacturer's warranty to the Safera Sense ("Product") in accordance with these Terms ("Warranty"). The Warranty applies to the Defects (as defined in

Section 4. Preconditions for Warranty Repair) covered by the Warranty, which are notified to Safera during the Warranty Period. The Warranty to a Product, which has been repaired or replaced on the basis of the Warranty shall be limited to the original warranty period. Safera grants a separate warranty for any and all spare parts used in connection with a Warranty repair.

This limited Warranty does not limit a consumer's rights in accordance with the mandatory applicable consumer protection legislation.

2. Warranty Period

The warranty period for the Product shall be twenty-four (24) months. The warranty period for spare parts shall be three (3) months. Both of the foregoing are each a "Warranty Period", as the context requires.

The Warranty Period of the Product commences on the date of first purchase of the Product. In case the Product has been installed ready to a new apartment, the date of purchase shall be deemed to be the date of first purchase of the apartment.

The Warranty Period for spare parts used in connection with a warranty repair commences on the date You receive the repaired Product.

3. Work Included in the Warranty

Defects falling under the Warranty shall, in Safera's sole discretion, (a) be repaired; or (b) the Product will be replaced without further expenses to You. The repair or replacement will be made within a reasonable time during normal working hours in a location designated by Safera.

4. Preconditions for Warranty Repair

The Warranty covers defects attributable to the material or manufacturing of the Product when used in accordance with the relevant user manuals, technical specifications and other guidelines published by Safera ("Defect") and when:

- a. The Defect is occurs under normal, intended use conditions and can be reproduced in such conditions;
- b. The instructions for installation, use and maintenance have been adhered to;
- c. In case the Product is installed by You or any non-professional person, You must inspect the Product prior to the installation and without delay inform the seller of the Product about the defects or errors in the Product or its delivery;
- d. The Product has been maintained or repaired by using original spare parts and by Safera authorized suppliers and the Product has not been dismantled or otherwise modified to any extent;
- e. The warranty claim is made by You or someone duly authorized by You in writing;
- f. You notify Safera or its representative of the Defect during the Warranty Period. You are responsible for the Product's condition until it has been handed over for repair. You can notify Safera by contacting the reseller of the Product or by sending an email to: support@safera.com; AND
- g. You must provide Safera with a written declaration regarding the purchase date of the Product, order references, an account regarding the Defect and

description of the Product's usage conditions.

If Safera deems that the defects and/or errors with the Product are not covered by the Warranty, Safera has the right to charge You for all costs incurred in connection with identifying the defects and/or errors with the Product in accordance with Safera's then-current price list. In such event, Safera also has the right to charge You for the costs incurred in connection with the repair of the Product, if You request that it be repaired.

5. Warranty Disclaimer

YOUR USE OF THE PRODUCT, THE SAFERA APPLICATION AND/OR A COMPATIBLE POWER CONTROL UNIT IS AT YOUR SOLE DISCRETION, RESPONSIBILITY, LIABILITY AND RISK. THE PRODUCT, THE SAFERA APPLICATION AND/OR A COMPATIBLE POWER CONTROL UNIT DO NOT DIMINISH OR REMOVE YOUR RESPONSIBILITY TO FOLLOW APPLICABLE AUTHORITIES' RULES, REGULATIONS AND ORDERS OR RESPONSIBILITY TO ACT WITH DUE CARE TO AVOID DAMAGE TO PROPERTY AND PERSONS.

EXCEPT FOR AS EXPLICITLY SET OUT IN THESE TERMS, SAFERA HEREBY DISCLAIMS ALL WARRANTIES AND CONDITIONS WITH RELATION TO THE PRODUCT TO THE MAXIMUM EXTENT ALLOWED BY APPLICABLE LAW, WHETHER STATUTORY, EXPRESS OR IMPLIED, INCLUDING, BUT NOT LIMITED TO, WARRANTIES OF TITLE, MERCHANTABILITY, FITNESS FOR A PARTICULAR PURPOSE, ACCURACY, AND NON-INFRINGEMENT OF THIRD PARTY RIGHTS.

6. Limitation of Warranty and Liability

The Warranty does not cover:

- a. Repair of Defects, which are caused by normal wear and tear, failures in installation, use or maintenance, faulty or deficient repair made by others than Safera or a repair shop authorized by Safera, use conditions in contradiction with the instructions or choosing by end user of a Product that is not suitable for the use in the premises where the Product is used or is wrong size or capacity;
- b. Repair of Defects, in case the Product has been dismantled, repaired or modified by others than Safera's repair shop or a repair shop authorized by Safera;
- c. Repair of a Defect caused by external factors, such as accident, over-heating, fluctuation of electricity or air conditioning, thunder, fire, water, extreme weather conditions, explosion or any other like external cause;
- d. Any power control unit or any damage or other liability caused by any power control unit, irrespective of whether or not such power control unit has been identified or endorsed by Safera;
- e. Use of the Product in combination with any other product not accepted by Safera in the user manual or otherwise in written form, or usage in usage environment not accepted by Safera in the user manual or otherwise in written form.

EVEN IF YOU USE THE PRODUCT, YOU MUST DULY CONSIDER USE OF OTHER EQUIPMENT AND MEASURES TO AVOID DAMAGES, AND YOU WILL BE RESPONSIBLE FOR MAINTAINING IN FORCE THE INSURANCES FOR PROPERTY AND PERSONS. SAFERA WILL NOT BE LIABLE FOR ANY DAMAGE TO PROPERTY OR PERSONS OR FOR ANY MONETARY OR FINANCIAL DAMAGES CAUSED BY THE FUNCTIONING OR NON-FUNCTIONING OF THE PRODUCT, THE SAFERA APPLICATION AND/OR A

COMPATIBLE POWER CONTROL UNIT DAMAGES, WHETHER DIRECT OR INDIRECT, SPECIAL, PUNITIVE OR CONSEQUENTIAL, TO THE MAXIMUM EXTENT ALLOWED UNDER THE APPLICABLE LAW.

TO THE MAXIMUM EXTENT ALLOWED UNDER THE APPLICABLE LAW:

- a) THIS LIMITED WARRANTY GOVERNS YOUR SOLE RIGHT TO MAKE CLAIMS TOWARDS SAFERA BASED ON DEFECTS IN THE PRODUCTS, AND SAFERA'S LIABILITY B) FOR THE DEFECTS IN THE PRODUCTS; AND
- b) SAFERA'S LIABILITY, INCLUDING ANY REFUNDS AND REMUNERATION, IS LIMITED TO THE PRODUCT'S PURCHASE PRICE.

7. Firmware License

The firmware included and/or embedded in the Product may be used only as integrated in the Products when using the Product for their intended and designed use. The firmware may not be extracted or otherwise separated from the Product, or used separately from the Product or used in connection with the use of other products or as part of other products. The firmware may not be (a) copied or otherwise reproduced (possible reinstallation shall be performed by Safera or a repair shop authorized by Safera), (b) modified, disassembled, decompiled or reverse engineered or (c) delivered to third parties other than as part of the Product when assigning the Product's ownership. You are granted only the right to use the firmware in accordance with this provision. Copyright and other intellectual property rights in and to the firmware (and to any and all other software in the Products) are owned solely by Safera.

8. Governing Law and Dispute Resolution

This Agreement shall be construed in accordance with the laws of Finland excluding its choice of law provisions and the UN Convention on Contracts for the International Sale of Goods.

Any dispute, controversy or claim arising out of or relating to this Agreement, or the breach, termination or validity thereof, shall be finally settled by arbitration in accordance with the Rules for Expedited Arbitration of the Finland Chamber of Commerce, in English language in Helsinki, Finland.

To the maximum extent allowed under applicable law, You explicitly waive your right to participate in any class actions, class arbitrations or other similar grouping of parties.

Notwithstanding the above, Safera shall be entitled to seek equitable and/or injunctive relief or take legal actions concerning overdue payments in any court of law having jurisdiction over Your or Safera's domicile. For clarity, this Section does not limit your rights under the applicable law of your domicile.

9. General

If any provision of these Terms is held to be contrary to law, such provision shall be changed and interpreted so as to best accomplish the objectives of the original provision to the fullest extent allowed by law. Other provisions will remain in full force and effect.

All notices regarding these Terms must be made in writing. You may contact Safera at: support@safera.com.

These Terms constitute the complete and exclusive agreement between You and Safera with respect to the subject matter hereof and supersedes all prior proposals, understandings, marketing materials and other communications with respect to the subject matter of these Terms.

Excluding Safera, no one may amend, extend or otherwise modify these Terms.

The headings of the Sections of these Terms are informative in nature and shall not be used in the interpretation thereof.