

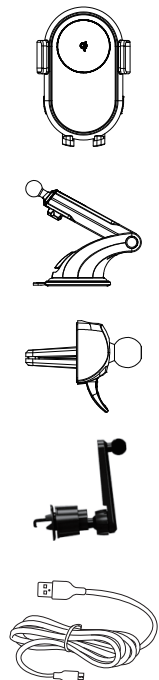


## FAST WIRELESS CHARGING MOUNT

Model : VK-AH02WL

## PRODUCT GUIDE

### What is included?



- Wireless charger
- Suction cup holder ( optional )
- Air vent clamp holder ( optional )
- Air vent holder ( optional )
- Cable

### Specifications

-Wireless Charger

Model	VK-AH02-WL
Input	DC 5V/2A, 9V/2A
Output	10W Max( Android) 7.5W Max(iPhone)

### Wireless Charger LED Indicator/Status

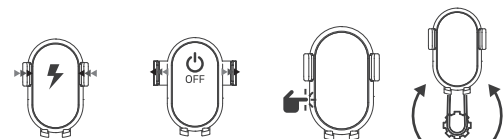
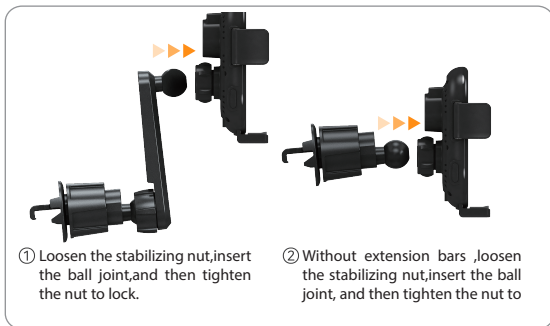
Charging Indicators	Working Status
Circular LED Light turns blue, indicators red	Standby
Circular LED Light turns off, indicators red	Charging
Red indicators turns off	Device fully charged
Flashes red	FOD (Foreign Object Damage) alarm

### Product Diagram



- ① Fixed nut
- ② Extension bars
- ③ Circular LED Light
- ④ Locking Side Arms
- ⑤ Button
- ⑥ Tray
- ⑦ Type- C Charging Port
- ⑧ Indicator

## Mounting & Using the Phone Holder



Electromagnetic induction

Open the locking side arms after cut off power

Double locking

360° spin

### Electromagnetic induction

Position your phone so that the arm automatically clamps the phone by generating electromagnetic induction.

### Open the locking side arms after cut off power

After cutting off the power, you can press the bottom to open the locking side arms to take off your phone and press the bottom to close the locking side arms one time.

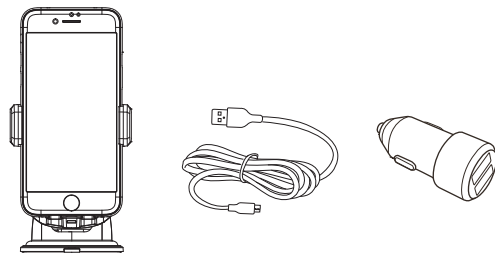
### Double locking

Whether you press which bottoms, you can open or close the locking side arms. If your phone can not support wireless charging, you can press close the locking side arms to clamp your phone.

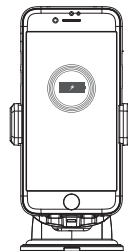
### 360° spin

Rotate the ball joint to obtain your best viewing angle.

## How to Charge Your Devices



1. Connect the Type-C cable into the charging port.
2. Insert the USB connector into a car charger.



3. Position your phone so that the arm automatically clamps the phone by generating electromagnetic induction.

### Note:

- Line up the center of phone with the charging coils to achieve efficient charging.
- Phone cases more than 0.2 inch / 0.5 cm thick will not be detected. Remove before charging. Charging will start automatically with a right connection and the charging indicators will light up accordingly.

## Caution:

	The charging process may give off heat so your device will become warm. Use only in cool environments.
	If the product gets wet, please stop the charging process immediately and remove all plugs. Do not use it before it's completely dry.
	Do not drop, knock, or squeeze the product.
	Do not dismantle or throw the product in fire or water to avoid causing short circuit leakage.
	Do not use the wireless charger in severely hot, humid, or corrosive environments to avoid circuit damage and leakage.
	Do not use the charger if it has excessive dents, punctures, damages, or deformities.
	Do not place close to magnetic stripe or chip card (ID card, bank cards, etc.) to avoid magnetic failure.
	Make sure the back of your phone or phone case is even without foreign metal objects.
	Keep at least 20 cm / 7.9 in away from implantable medical devices (pacemakers, implantable cochlear, etc.) to avoid potential magnetic interference.
	Keep away from children.

## FCC Statements

Caution: The user is cautioned that changes or modifications not expressly approved by the party responsible for compliance could void the user's authority to operate the equipment.

This device complies with Part 15 of the FCC Rules. Operation is subject to the following two conditions:

(1) this device may not cause harmful interference, and (2) this device must accept any interference received, including interference that may cause undesired operation.

NOTE: This equipment has been tested and found to comply with the limits for a Class B digital device, pursuant to part 15 of the FCC Rules. These limits are designed to provide reasonable protection against harmful interference in a residential installation. This equipment generates uses and can radiate radio frequency energy and, if not installed and used in accordance with the instructions, may cause harmful interference to radio communications. However, there is no guarantee that interference will not occur in a particular installation. If this equipment does cause harmful interference to radio or television reception, which can be determined by turning the equipment off and on, the user is encouraged to try to correct the interference by one or more of the following measures:

- Reorient or relocate the receiving antenna.
- Increase the separation between the equipment and receiver.
- Connect the equipment into an outlet on a circuit different from that to which the receiver is connected.
- Consult the dealer or an experienced radio/TV technician for help

## FCC Radiation Exposure Statement:

This equipment complies with FCC radiation exposure limits set forth for an uncontrolled environment. This equipment should be installed and operated with a minimum distance of 20cm between the radiator and your body. This transmitter must not be co-located or operating in conjunction with any other antenna or transmit

The 'Qi' symbol is a trademark of the Wireless Power Consortium.