

Robotic vacuum cleaner

Model: R341

Operation Manual

Important Safety Instructions

To reduce the risk of injury or damage, read these safety instructions carefully and keep them at hand when setting up, using, and maintaining this device.



WARNING SYMBOLS USED

This is the safety alert symbol. This symbol alerts you to potential hazards that could result in property damage and/or serious bodily harm or death.

- This device can be used by children aged from 8 years and above and persons with reduced physical, sensory or mental capabilities or lack of experience and knowledge if they have been given supervision or instruction concerning use of this device in a safe way and understand the hazards involved.
- Children should be supervised to ensure they do not play with this device.
- Cleaning and maintenance shall not be performed by children without adult supervision.
- This device is only to be used with the power supply unit provided.
- For the purposes of recharging the battery, only use the detachable power supply unit provided with this device.
- The battery must be removed from this device before this device is disposed of. To remove the battery from this device, first remove the screws on the bottom, then remove the battery by disconnecting the quick connector.
- The used battery should be placed in a sealed plastic bag and disposed of safely according to local environmental regulations.
- The external flexible cable or cord of the power supply unit cannot be replaced; if the cord is damaged, the power supply unit shall be disposed of.
- This device is for indoor use only.
- This device is not a toy. Do not sit or stand on this device. Small children and pets should be supervised when this device is operating.
- Store and operate this device in room temperature environments only.
- Clean with a cloth dampened with water only.
- Do not use this device to pick up anything that is burning or smoking.
- Do not use this device to pick up spills of bleach, paint, chemicals, or anything wet.

- Before using this device, pick up objects like clothing and loose paper. Lift up cords for blinds or curtains, and move power cords and fragile objects out of the way. If this device passes over a power cord and drags it, an object could be pulled off a table or shelf.
- If the room to be cleaned has a balcony, a physical barrier should be used to prevent access to the balcony and to ensure safe operation.
- Do not place anything on top of this device.
 - Be aware that this device moves around on its own. Take care when walking in the area where this device is operating to avoid stepping on it.
 - Do not operate this device in areas with exposed electrical outlets on the floor.
 - Do not expose the electronics of this device, its battery, or the integrated Charging Base. There are no user-serviceable parts inside.
 - Do not use this device on an unfinished, unsealed, waxed or rough floor. It may result in damage to the floor and this device. Use only on hard floor surfaces or low-pile carpet.
 - This device has been designed to be used on floors without scratching them. We still recommend that you test this device on a small area of the room to be cleaned to ensure no scratches are made before cleaning the whole room.

Notice



This symbol on the device or its packaging indicates: Do not dispose of electrical appliances as unsorted municipal waste; use separate collection facilities. Contact your local authority for information regarding the collection systems available. If electrical appliances are disposed of in landfills or dumps, hazardous substances can leak into the groundwater and get into the food chain, damaging your health and well-being. When replacing old appliances with new ones, the retailer is legally obliged to take back your old appliance for disposal at least free of charge.

Contents

Product Composition / Package Contents	4
Product Composition / Part Name	5
LED Display Function	6
Dust Box, Water Tank and Charging Dock	7
Product Usage / Preparation	8
Product Use/ Robot Charging	9
Product Usage / Select a Cleaning Mode	10
Time Scheduling Setting	11
Mopping / Water Tank	12
Cleaning and Maintenance	15
Troubleshooting	18
Product Parameter	19

Product Composition / Package Contents



Robot



Charging Dock



AAA Battery



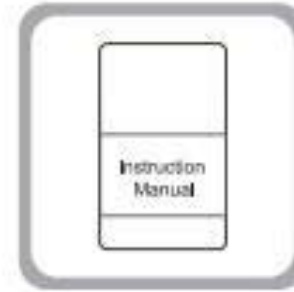
Remote Handset



Power Adapter



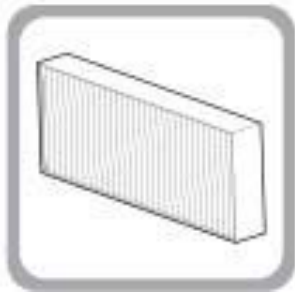
Cleaning Brush



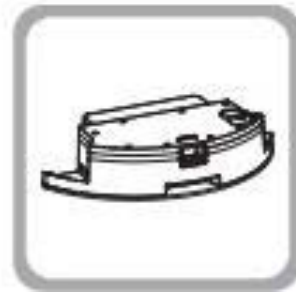
Instruction Manual



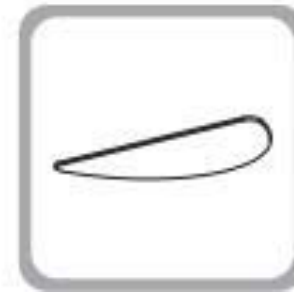
Side Brush X4



HEPA Filter X2



Water Tank



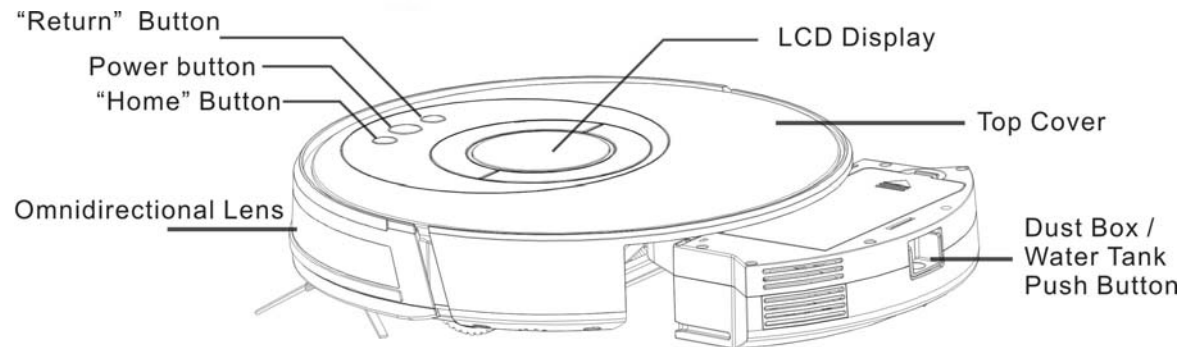
Mopping Cloth



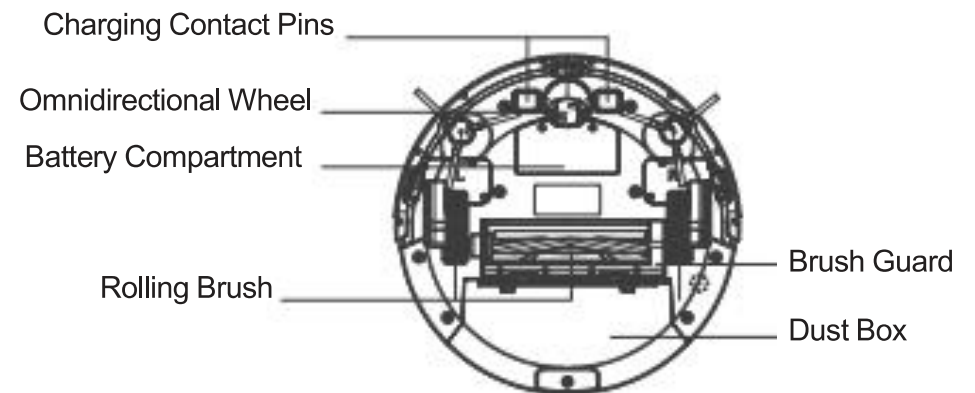
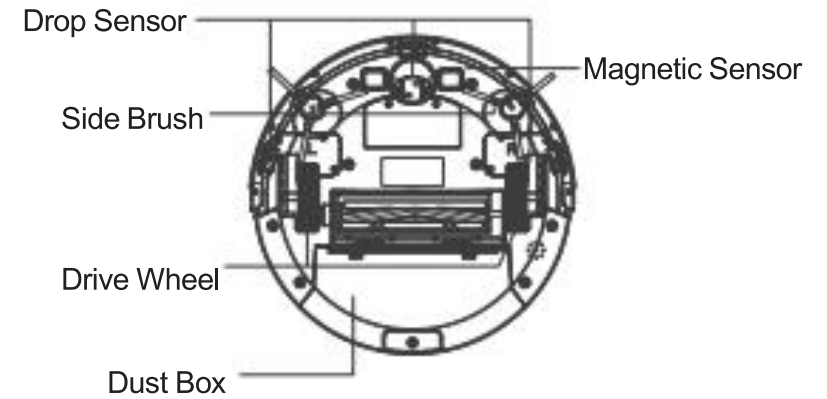
Dust Box

Product Composition / Part Name











Robot front view

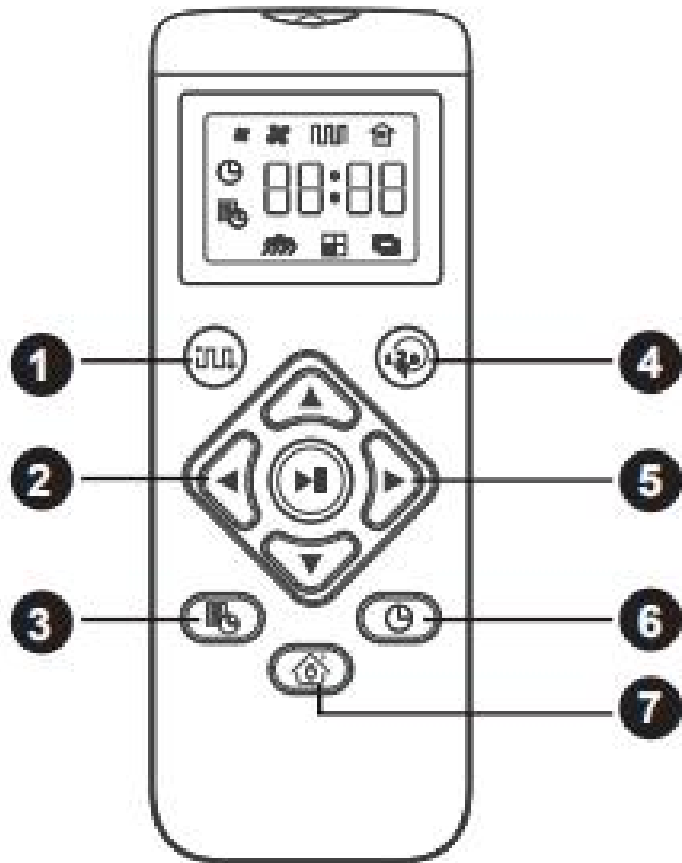


Robot back view



LED Display Function

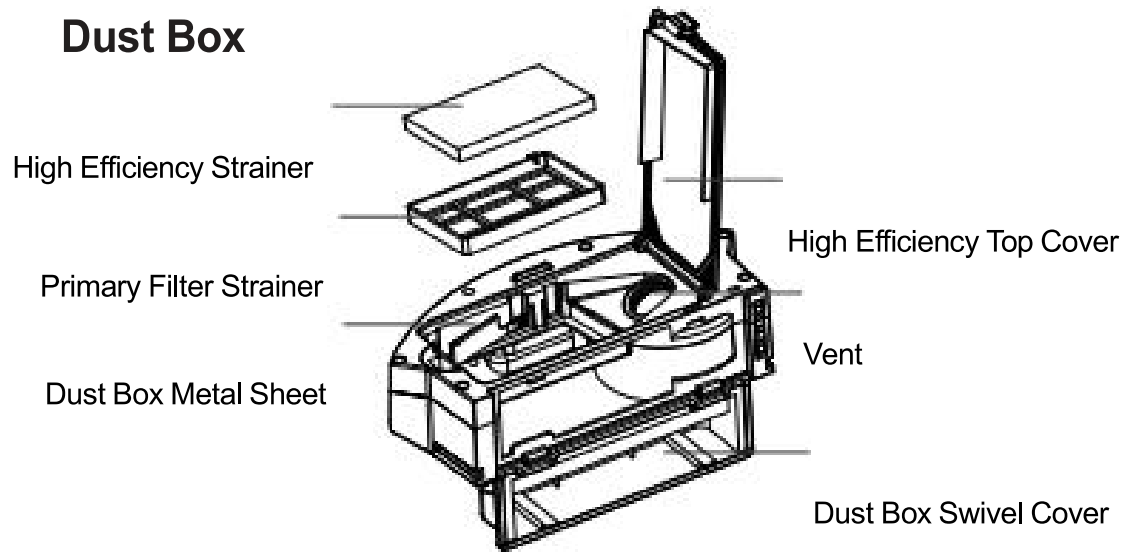
LED Display	ICONS	Function Description
		<p>Edge cleaning mode: icon always light up, start cleaning; icon flashing, cleaning pause</p>
		<p>Auto cleaning mode: icon always light up, start auto cleaning; icon flashing, cleaning pause</p>
		<p>Single room mode: icon always light up, start single room cleaning; icon flashing cleaning pause</p>
		<p>Spot mode: icon always light up, start intensive cleaning in the selected area; icon flashing, cleaning pause.</p>
		<p>Return or Home key, icon always light up, robot will automatically return to Charging Dock; icon flashing, cleaning pause.</p>
		<p>Scheduled cleaning mode: icon always light up, scheduled cleaning is set; icon flashing setting up schedule time cleaning.</p>
		<p>Warning: icon always light up, Robot malfunction. Icon light will switch off after problem is fixed.</p>
		<p>Icon always light up, connected to Wi-Fi network; icon quickly flashing, search for available network connection; icon slowly flashing, connecting to the available network.</p>
		<p>Charging mode: icon flashing, when battery is charging. Otherwise, display available battery level.</p>



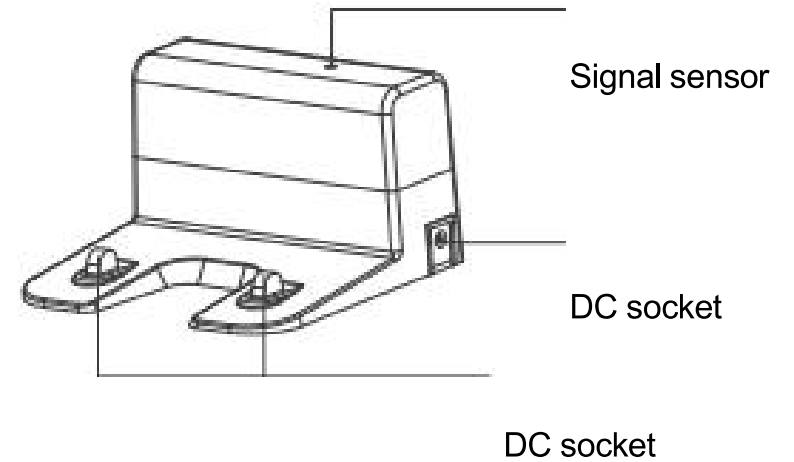
- 1** Start Auto Cleaning
Adjust suction power level in Auto Cleaning Mode
- 2** Start Auto Cleaning
Stop Cleaning
- 3** Schedule Auto Cleaning start time
- 4** Mode Switching:
Spot Cleaning Mode
Single Room Cleaning Mode
Edge Cleaning Mode
- 5** Control cleaning direction manually
Adjust the hour and minute
- 6** Adjust time
- 7** Return to Charging Base

Dust Box, Water Tank and Charging Dock

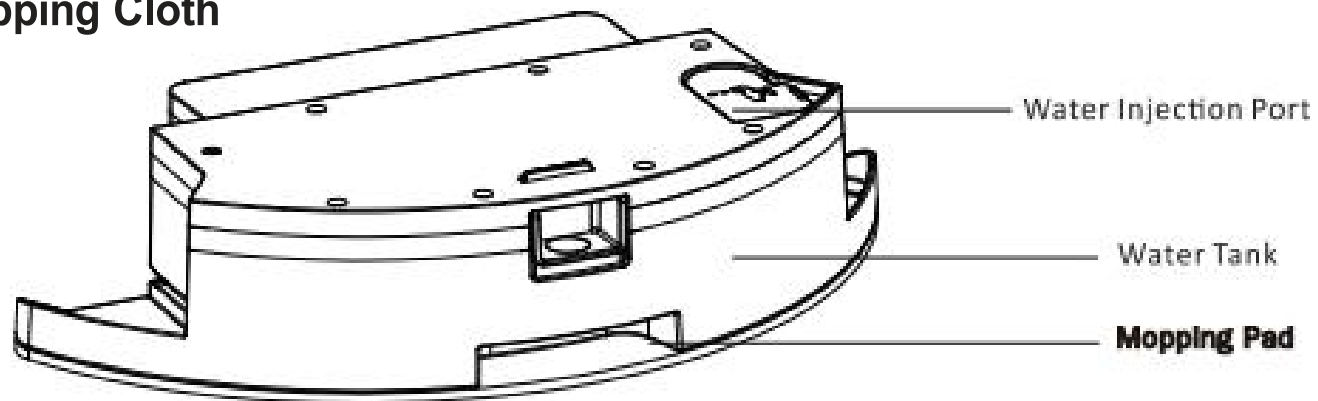
Dust Box



Charging Dock



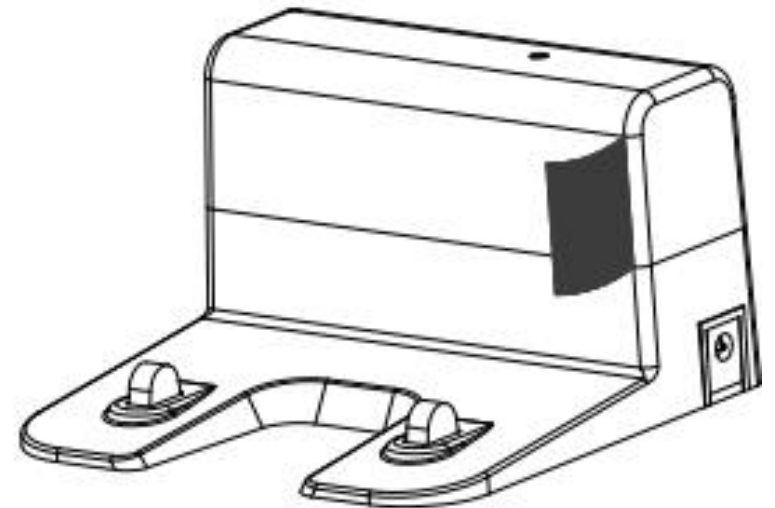
Water Tank and Mopping Cloth



Product Usage / Preparation

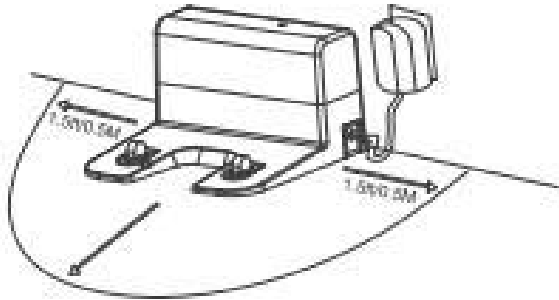
Before using the Robot, remove the protective strip on the Robot and Charging Dock

Remove Protection



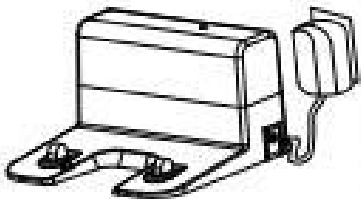
Product Usage / Robot Charging

- ① Place the Charging Dock on a hard, level surface and against a wall. Remove objects within 1.5 ft/0.5 m on both sides and within 3 ft/1 m in front of the Charging Dock.



- ② Plug the adapter into the a wall outlet and plug the DC jack into the DC socket of the Charging Dock.

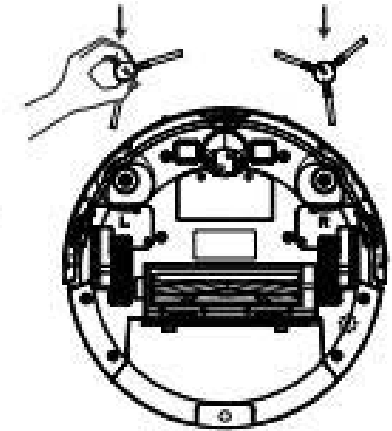
When the Charging Dock connects to AC power, the LED indicator on the Charging Dock is flashing green.



Install the Charging Base in a location that Robot can easily access. Please place the Charging Base against a wall, and on a hard-level surface rather than on rugs or carpets.

- Always keep the Charging Base plugged in, otherwise Robot will not automatically return to it.

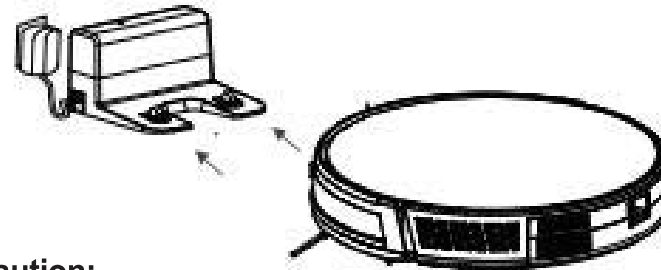
- ③ Install the side brushes before use.



- ④ Charging your robot

Place the robot on the Charging Dock for battery charging (When charging, indication light is flashing. Light will stay light up when charging is finished. Normal charging time is about 5 hours)

Robot returns to the Charging Dock at the end of a cleaning cycle or when its battery is running low






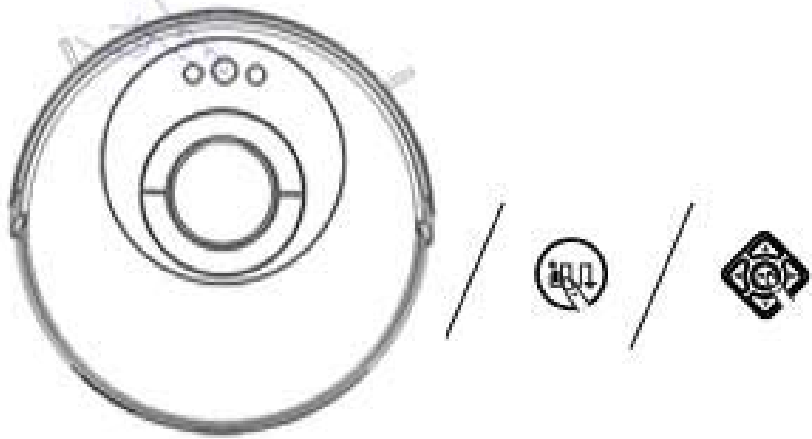
Caution:

- Do not expose Charging Dock with direct sunlight or any strong reflection on light source. If cannot be avoided, please cover the bottom part of Charging Dock about 7 cm.
- Recommend to fully charge the robot to ensure operating time.
- Avoid to have Water Tank inserted in robot when charging. Avoid to have wet mopping cloth in which may damage wooden floor.

Product Use / Select a Cleaning Mode


1. Auto Cleaning

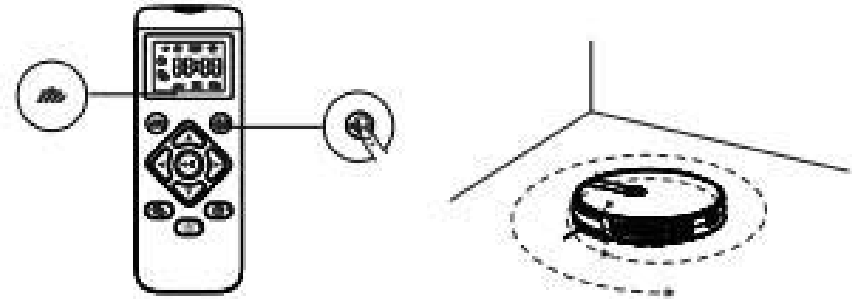
- Robot optimizes its cleaning path by selecting different cleaning modes automatically until cleaning is complete. This is the most commonly used cleaning mode.
- Press  on the Robot or  /  on the Remote Handset to start cleaning in Auto Mode




- Robot will return to the Charging Base automatically when the battery level becomes low or when Robot is finished cleaning.
- By default, Robot starts in Auto Cleaning mode when it is turned on.

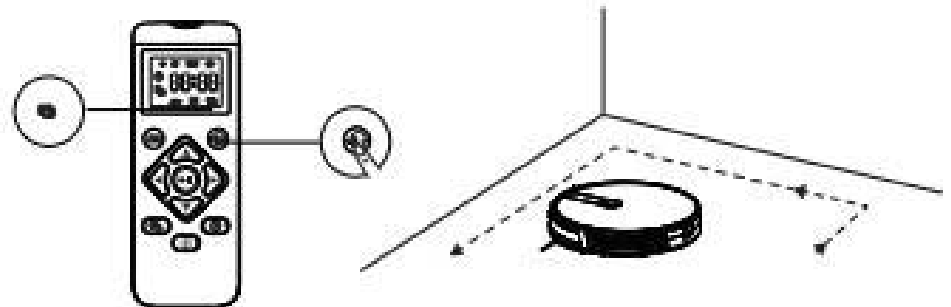
2. Spot Cleaning

- Robot intensively cleans a specific area in a spiral pattern within the 5 ft radius, useful if there is a concentrated area of dust or debris.
- Press  on the Remote Handset repeatedly, until the icon of Spot Cleaning Mode is displayed on the screen



3. Edge Cleaning


- Robot reduces the moving speed when detects a wall and then follows the wall to ensure the edge is cleaned thoroughly. Robot will return to the Charging Dock when finish.
- Press  on the Remote Handset repeatedly, until the icon of Edge Cleaning Mode is displayed on the screen

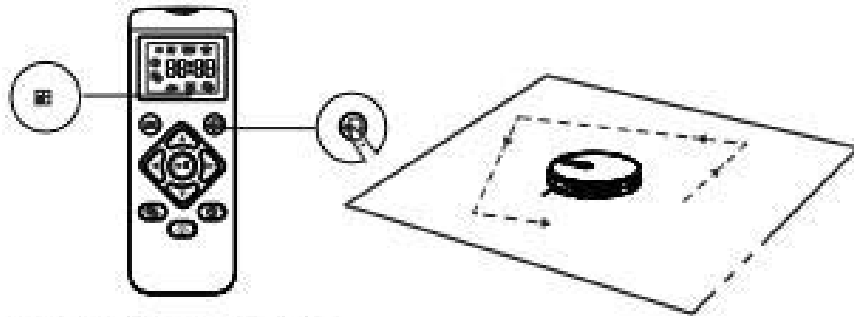


Product Use / Select a Cleaning Mode

4. Single Room Cleaning

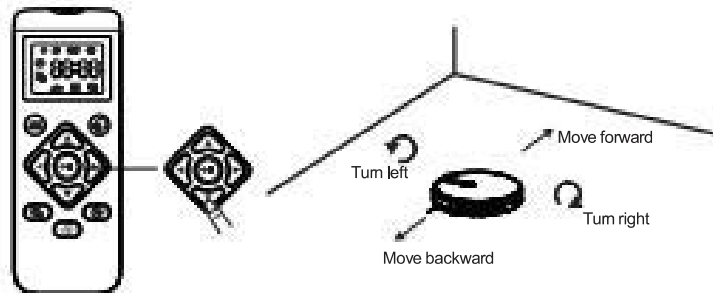
Select this mode only when one specific room needs to be cleaned. Make sure to confine Robot to the room by closing the door. Robot will also clean the edges before finish.

Press  on the Remote Handset repeatedly, until the icon of Single Room Cleaning Mode is displayed on the screen



5. Manual Cleaning

You can direct Robot to clean a particular area by using the directional buttons on the Remote Handset.









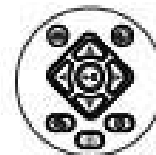
6. Set Time and Scheduled Cleaning

Set Time

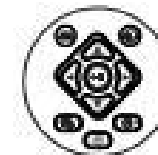


- Make sure the time is set correctly to your local time before setting a scheduled cleaning.
- Make sure the Robot is turned on

1. Press  on the Remote Handset. The time will blink on the display
2. Press     to set the “ hour” and “ minute”
3. Press  to save the setting.



1










2

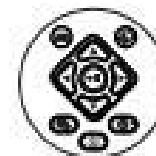


3

Set a Scheduled Cleaning

- You can schedule Robot to start cleaning at a specified time.
- To cancel a previously scheduled cleaning, press and hold  for 3 seconds

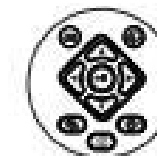
1. Press  on the Remote Handset. The time will blink on the display
2. Press     to set the “ hour” and “ minute”
3. Press  to save the setting.



1



2

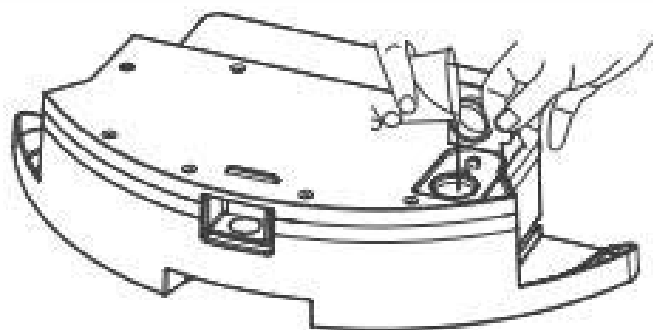


3

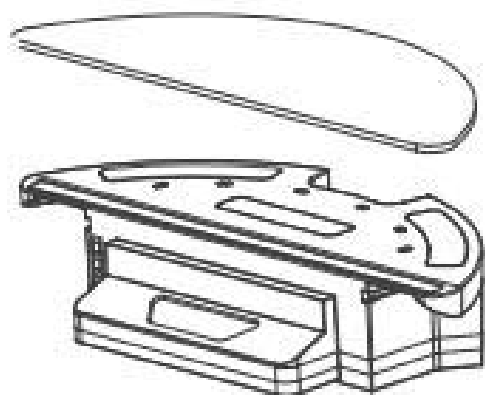
Mopping / Water Tank



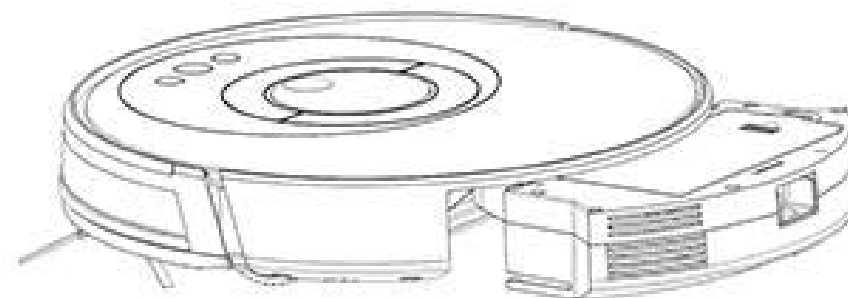
- Do not use mopping function with any carpet floor
- Please remove mopping cloth and clean it after mopping is completed.
- Please empty the water tank after each use.



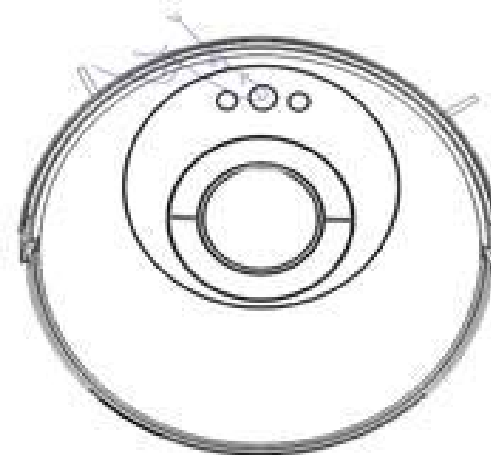
Open the water inflow hole cover, inject water slowly into the water tank.



Take out the mopping cloth and place it on top of the water tank. Press the mopping cloth gently to ensure it stick firmly with water tank.



Replace the dust box of the robot with water tank. Mopping is ready.



Press Power button to start mopping

Cleaning and Maintenance

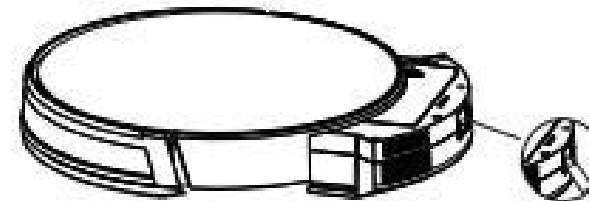
For optimal performance, follow the instructions below to clean and maintain Robot regularly. The cleaning/replacement frequency will depend on your usage habits of Robot.

Recommended cleaning/replacement frequency:

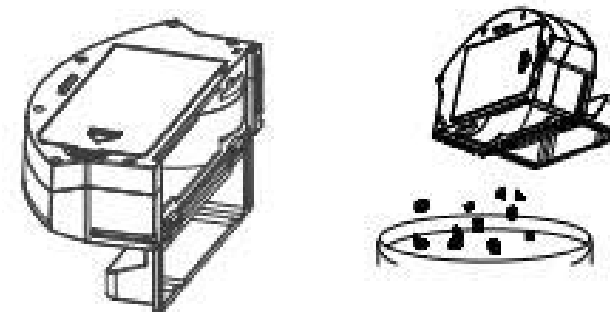
Robot Part	Cleaning Frequency	Replacement Frequency
Filters	Once every week	Every 2 months
Rolling Brush	Once every week	Every 6-12 months
Side Brushes	Once every month	Every 3-6 months (or when visibly worn)
Brush Guard	Once every month	Every 3-6 months (or when the silicone rubber strip on the brush guard becomes visibly worn)
Sensors	Once every month	
Charging Pins	Once every month	
Swivel Wheel	Once every month	

Clean the Dust Box and Filters

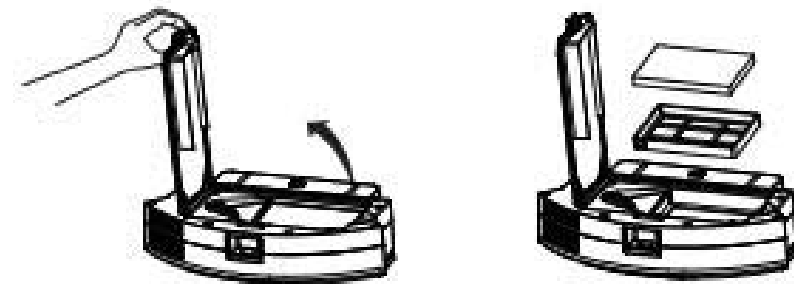
1. Press the Dust Box release button to pull the Dust Box out



2. Open and empty the Dust Box

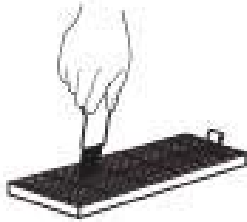


3. Take out the foam filter and high-performance filter



Cleaning and Maintenance

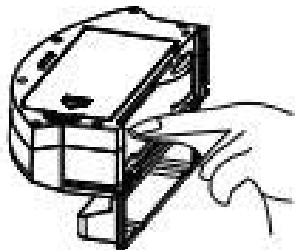
4. Clean the Dust Box and filters with a vacuum cleaner or a cleaning brush.



5. Use water to rinse the primary filter screen



6. The dust box can be scrubbed clean with dishcloth.

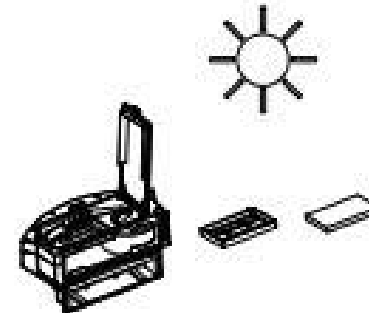


Do not allow water into the fan port during cleaning the dust box

7. Dry the dust box and filter assembly, and keep the robot dry to ensure its service life.



-It is recommended to clean the primary strainer with water every 15 - 30 days after been used. The use life of the high efficiency filter screen is 3 months.



1. Before installing the filter screen, please ensure that the high efficiency filter screen and the primary filter screen are dry.
2. Do not expose the high efficiency strainer and primary strainer into the sun.

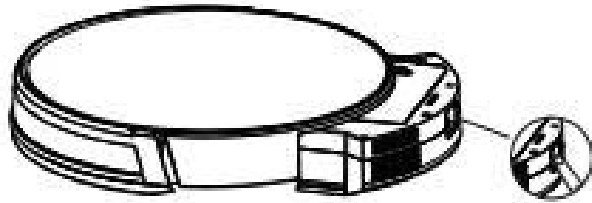
8. Put the filters and pre-filter back together in the Dust Box.



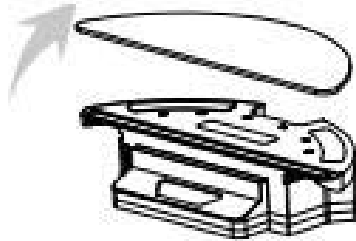
Cleaning and Maintenance

Water Tank and mopping cloth care

1. Press the Water Tank release button to pull the Water Tank out



2. Remove the mopping cloth from the Water Tank



3. Open the water inflow hole cover and empty water from Water Tank



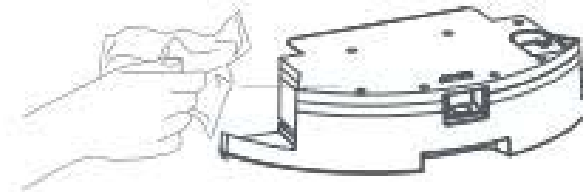
4. Use water to clean the mopping cloth



5. Dry the mopping cloth with sunlight

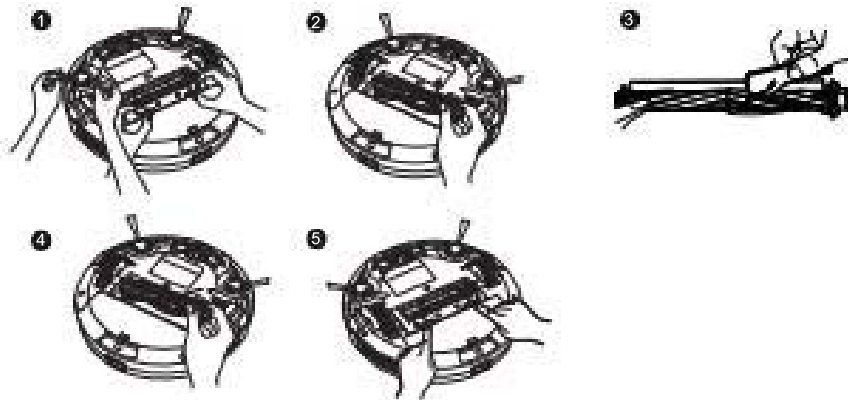


6. The Water Tank can be dried with dry cloth or let it naturally dry with air.



Clean the Rolling Brush

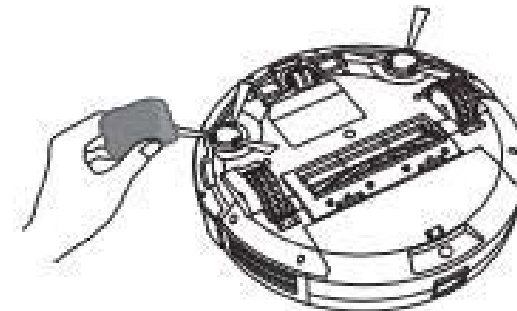
- 1 Pull on the release tabs to unlock the brush guard as shown.
- 2 Lift the rolling brush to remove.
- 3 Clean the rolling brush with the provided cleaning tool or a vacuum cleaner.
- 4 Reinstall the rolling brush by inserting the fixed protruding end first and then clicking into place.
- 5 Press down to snap the brush guard into place.




Clean the Side Brushes

Foreign substances, such as hair, can easily get tangled in the side brushes, and dirt may adhere to them. Be sure to clean them regularly.

- 1 Remove the side brushes
- 2 Carefully unwind and pull off any hair or string that is wrapped between the main unit and the side brushes
- 3 Use a cloth dampened with warm water to remove dust from the brushes or to gently reshape them.

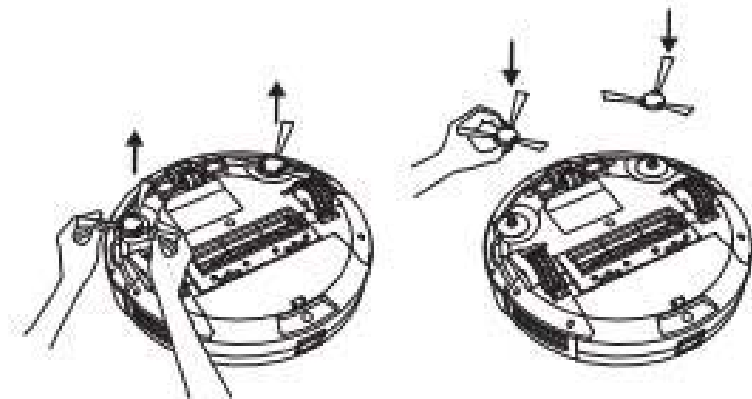


 Only use the side brushes when completely dried.

Replace the Side Brushes

The side brushes may become bent or damaged after being used for a period of time. Follow the instructions below to replace them.

Pull off the old side brushes and snap the new ones into place.



Clean the Sensors and Charging Pins

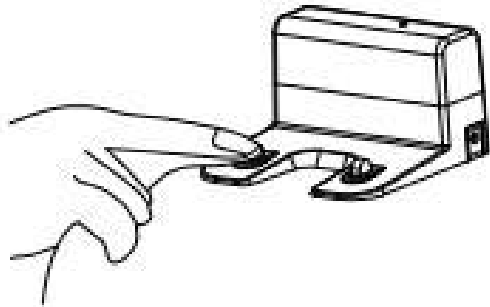
To maintain the best performance, clean the drop sensors and charging pins regularly.

Dust off the drop sensors and charging contact pins using a cloth or cleaning brush.

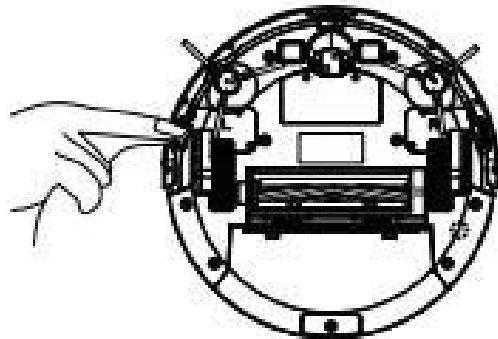


please use dry dishcloth for cleaning, and do not use wet dishcloth to prevent damage caused by water.

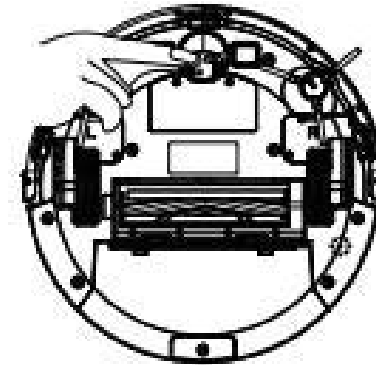
Clean up charging dock pins



Clean the down-view sensor



Clean drive wheels and omnidirectional wheel



Troubleshooting

No.	Prompt Tone	Cause of Failure	Solution
1	Wheels off the ground	Robot suspended	Please put the Robot back to the ground and press the cleaning key again.
2	Dust Box not installed	Dust box removed and not installed	Return the dust box to the Robot and press the cleaning key again.
3	Battery failure	Abnormal battery charging	Contact our customer service department to test battery.
4	Please check if the wheel is stuck	Wheel jammed	Check whether the wheel is entangled with foreign objects and clean up the entangled objects.
5	Please check if the front bumper is stuck	Front bumper stuck	Check whether the front bumper can rebound normally
6	Robot's Wi-Fi connection failure	Robot connected to server failure	Check whether can access internet when connection is done
7	The battery is low, please charge the Robot	Battery power less than 20%	Robot automatically enters the recharge mode
8	Please check whether the side brush is tangled or jammed	Abnormal edge brushing	Check whether the side brush is wound by wire and clean up the wound.
9	Please move the Robot to the open area.	Robot failed to get out of trouble	Please move the Robot to an empty place and press the cleaning key again

Product Parameter

Classification	Projects	Parameter
Structural class	Diameter	330 mm / 1.08 ft
	Height	74mm / 0.25 ft
	Net weight	2.7 kg / 5.94 lbs
Battery	Voltage	14.8 volts
	Battery	3000 mAh rechargeable lithium battery pack
parameter	Dust box capacity	600 ml
	Charging type	Automatic charging / Manual charging
	Cleaning mode	Auto / Single Room / Edge / Spot / Mopping
	Primary charging time	About 300 minutes
	Working time	About 150 minutes
Robot	Rated power (w)	28w
	Operating voltage (v)	14.8v

* Due to the continuous improvement of the product, this information product is subject to the physical object, and our company reserves the right to update the product.

Component	Harmful Substance					
	Pb/Pb compound	Hg/Hg compound	Cd/Cd compound	Cr(VI)Cr(VI) compound	PBB	PBDE
Plastic	⊙	⊙	⊙	⊙	⊙	⊙
Hardware	×	⊙	⊙	⊙	⊙	⊙
Host circuit module	×	⊙	⊙	⊙	⊙	⊙
Electronic	⊙	⊙	×	⊙	⊙	⊙
Battery	⊙	⊙	⊙	⊙	⊙	⊙
Plug power cord (Metal part)	×	⊙	⊙	⊙	⊙	⊙

Description: This form is prepared in accordance with the provisions of SJ/T 11364.

⊙ : Indicates that the content of the hazardous substance in all homogeneous materials of the part is below the limit requirement specified in the current valid version of GB/T26572.

× : Indicates that the content of the hazardous substance in at least one of the homogeneous materials of the part exceeds the limit requirement stipulated in the current effective version of GB/T26572, and there is no mature alternative in the industry, which meets the environmental protection requirements of the EU RoHS Directive.

10 The number in this logo indicates that the product has an environmental protection period of 10 years under normal use.

Executive standard:

ETSI EN 300 328 V2.1.1 (2016-11)

Draft ETSI EN 301 489-1 V2.2.1
(2019-03)

Draft ETSI EN 301 489-17 V3.2.0
(2017-03)

EN 55014-1:2006/A1:2009/A2:2011

EN 61000-3-2:2014

EN 61000-3-3:2013

EN 55014-2:2015

EN 62311:2008

EN

60335-2-2:2010+A11:

2012+A1:2013 in
conjunction with

EN

60335-1:2012+A11:20

14+A13:2017

EN 62233:2008

WARNING

- 1、 This appliance can be used by children aged from 8 years and above and persons with reduced physical, sensory or mental capabilities or lack of experience and knowledge if they have been given supervision or instruction concerning use of the appliance in a safe way and understand the hazards involved. Children shall not play with the appliance. Cleaning and user maintenance shall not be made by children without supervision
- 2、 the adapter must be removed from the socket-outlet before cleaning or maintaining the appliance.
- 3、 the appliance must be disconnected from the supply mains when removing the battery;
- 4、 **WARNING:** For the purposes of recharging the battery, only use the detachable supply unit (model: GQ12-190060-AU) provided with this appliance.

WARNING

- English: "

This device complies with Industry Canada licence-exempt RSS standard(s). Operation is subject to the following two conditions:

(1) this device may not cause interference, and

(2) this device must accept any interference, including interference that

may cause undesired operation of the device."

- French:"

Le présent appareil est conforme aux CNR d'Industrie Canada applicables aux appareils radio exempts de licence. L'exploitation est autorisée aux deux conditions suivantes :

(1) l'appareil n' doit pas produire de brouillage, et

(2) l'utilisateur de l'appareil doit accepter tout brouillage radioélectrique subi, même si le brouillage est susceptible d'en compromettre le fonctionnement."

FCC ID: 2AT7J-R341

FCC Radiation Exposure Statement:

The transmitter must not be colocated or operated in conjunction with any other antenna or transmitter. This equipment complies with the FCC RF radiation exposure limits set forth for an uncontrolled environment. This equipment should be installed and operated with a minimum distance of 20cm between the radiator and any part of your body.

FCC Warning

This device complies with Part 15 of the FCC Rules. Operation is subject to the following two conditions:

(1) This device may not cause harmful interference, and (2) This device must accept any interference received, including interference that may cause undesired operation.

NOTE 1: This equipment has been tested and found to comply with the limits for a Class B digital device, pursuant to part 15 of the FCC Rules. These limits are designed to provide reasonable protection against harmful interference in a residential installation. This equipment generates, uses and can radiate radio frequency energy and, if not installed and used in accordance with the instructions, may cause harmful interference to radio communications. However, there is no guarantee that interference will not occur in a particular installation. If this equipment does cause harmful interference to radio or television reception, which can be determined by turning the equipment off and on, the user is encouraged to try to correct the interference by one or more of the following measures:

- Reorient or relocate the receiving antenna.
- Increase the separation between the equipment and receiver.
- Connect the equipment into an outlet on a circuit different from that to which the receiver is connected.
- Consult the dealer or an experienced radio/TV technician for help.

NOTE 2: Any changes or modifications to this unit not expressly approved by the party responsible for compliance could void the user's authority to operate the equipment