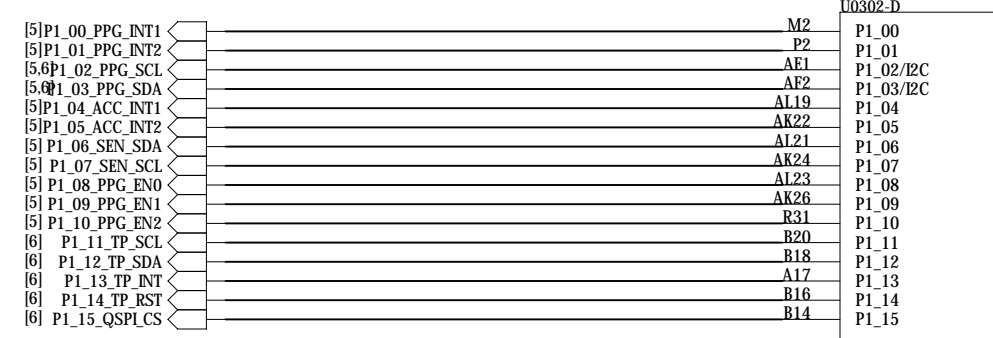
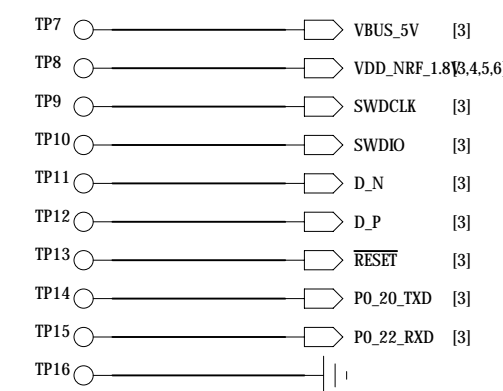
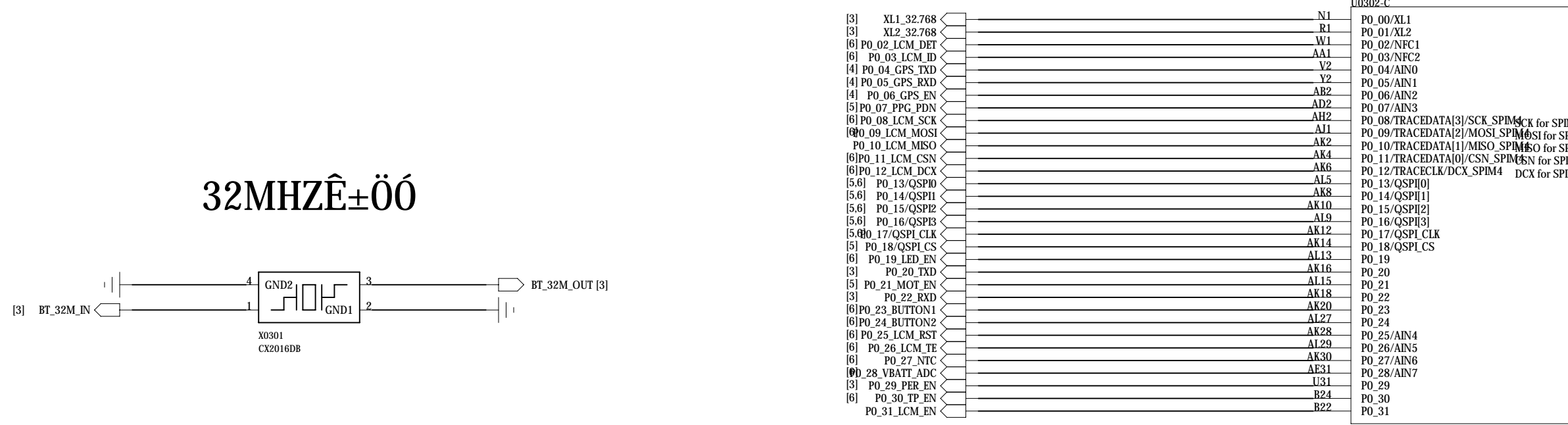
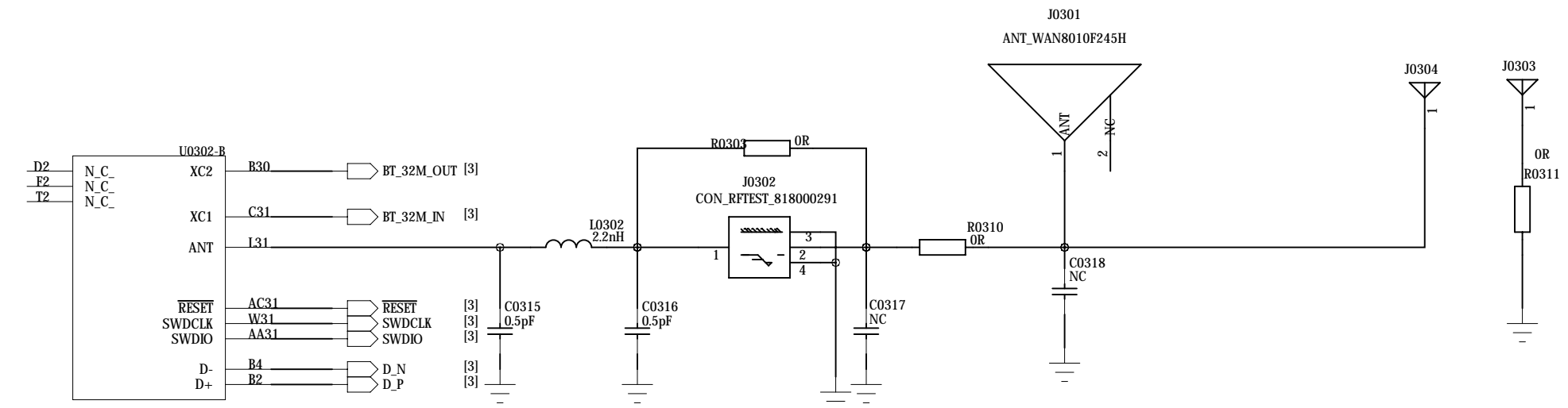
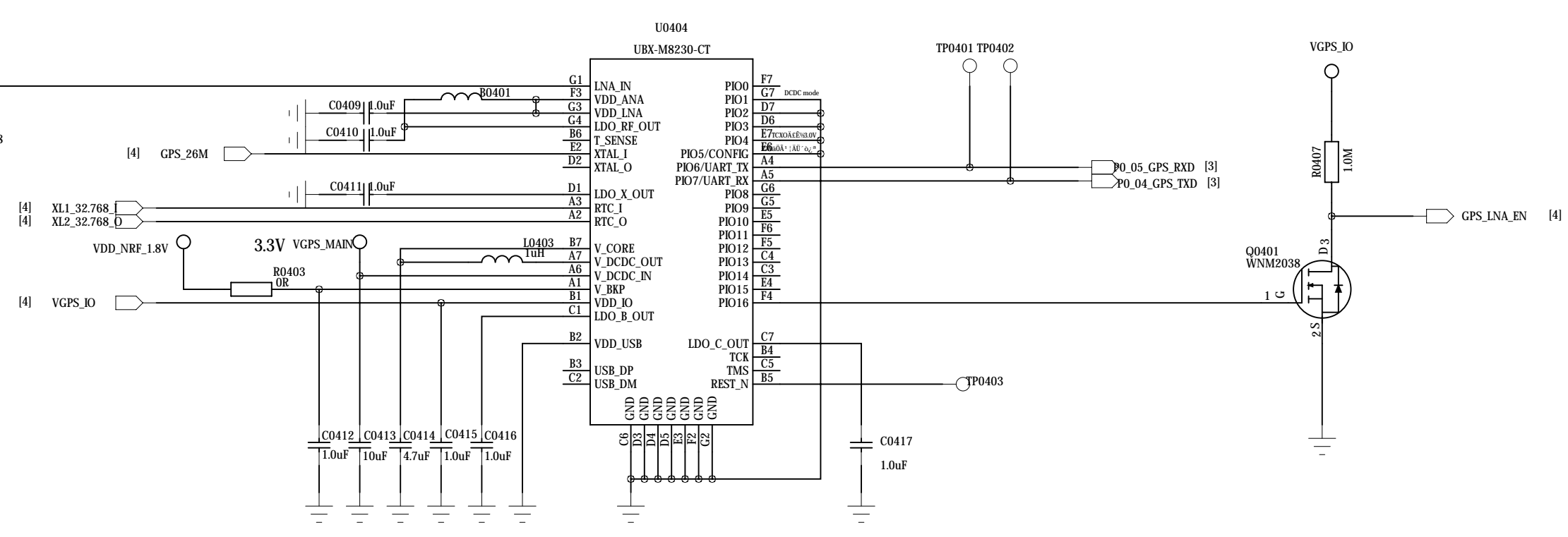
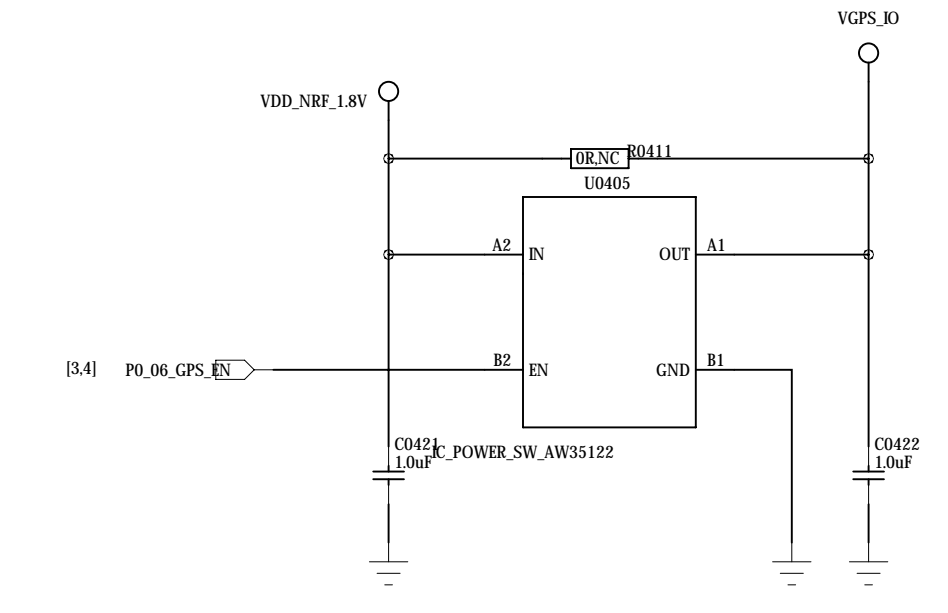
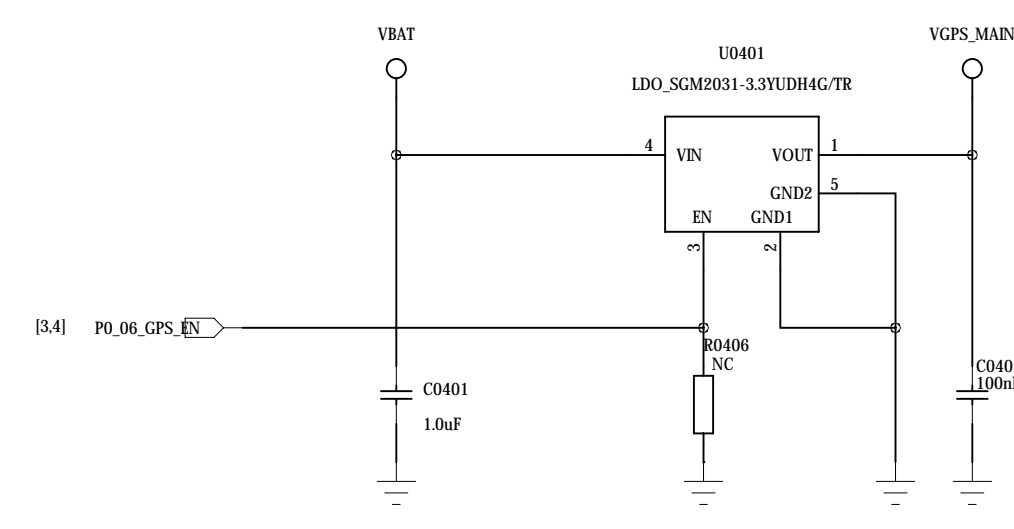
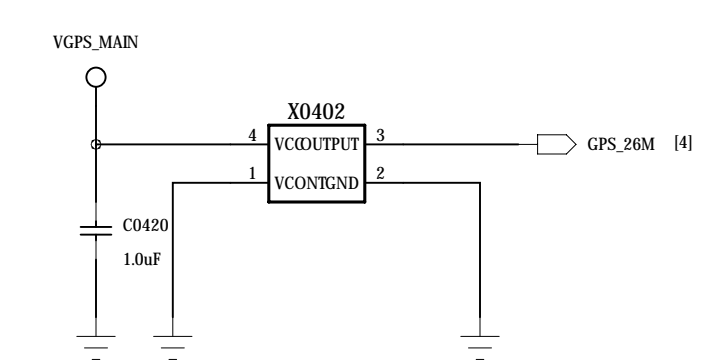
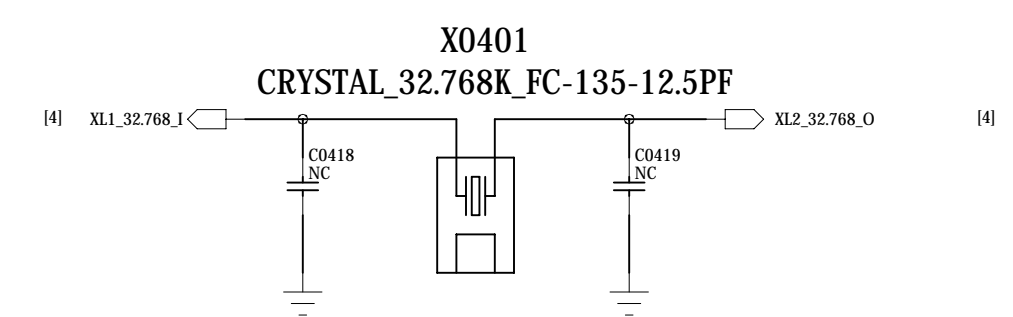
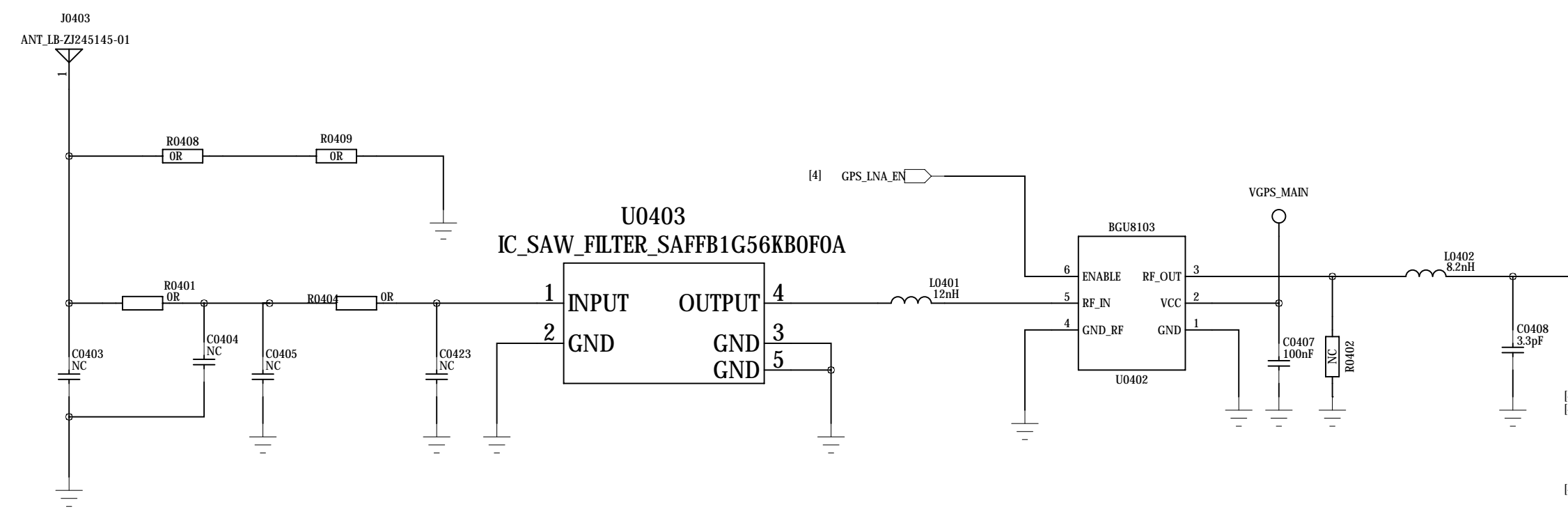
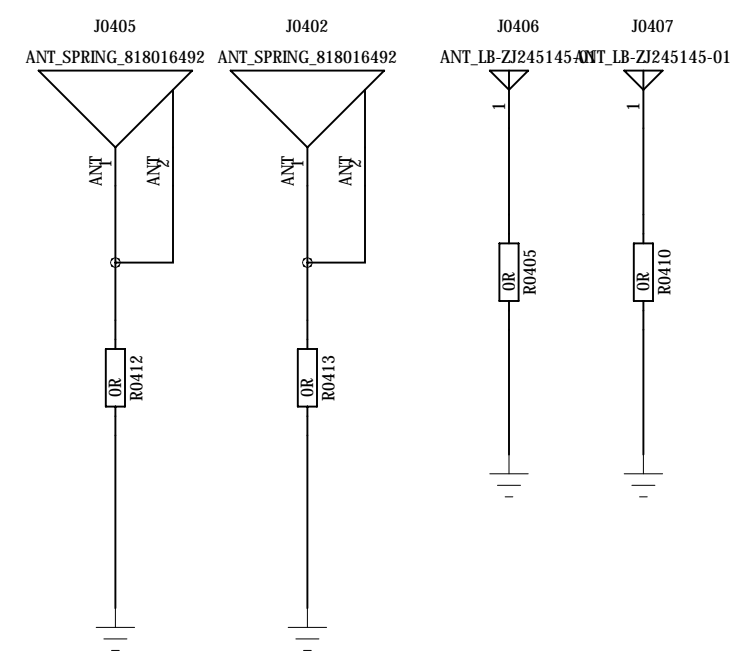


BLE ANT

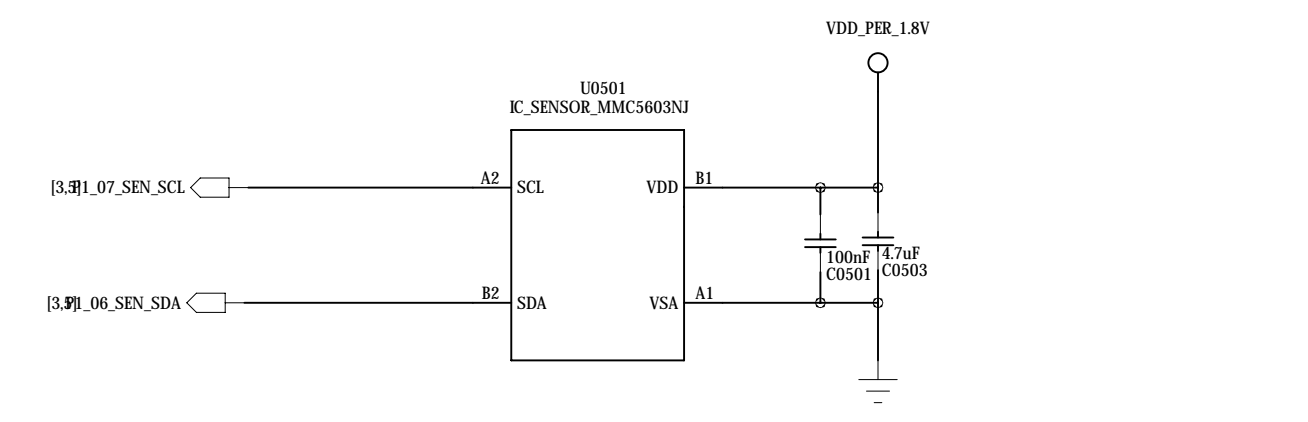


COMPANY:		PROJECT: LS340		Modified Date: 2021-07-07	
DRAWN	DATED	2021-07-07	TITLE: 03.NRF5340	VERSION: V12	SHEET: 3 OF 6
CHECKED	DATED	2021-07-07			

GPS ANT



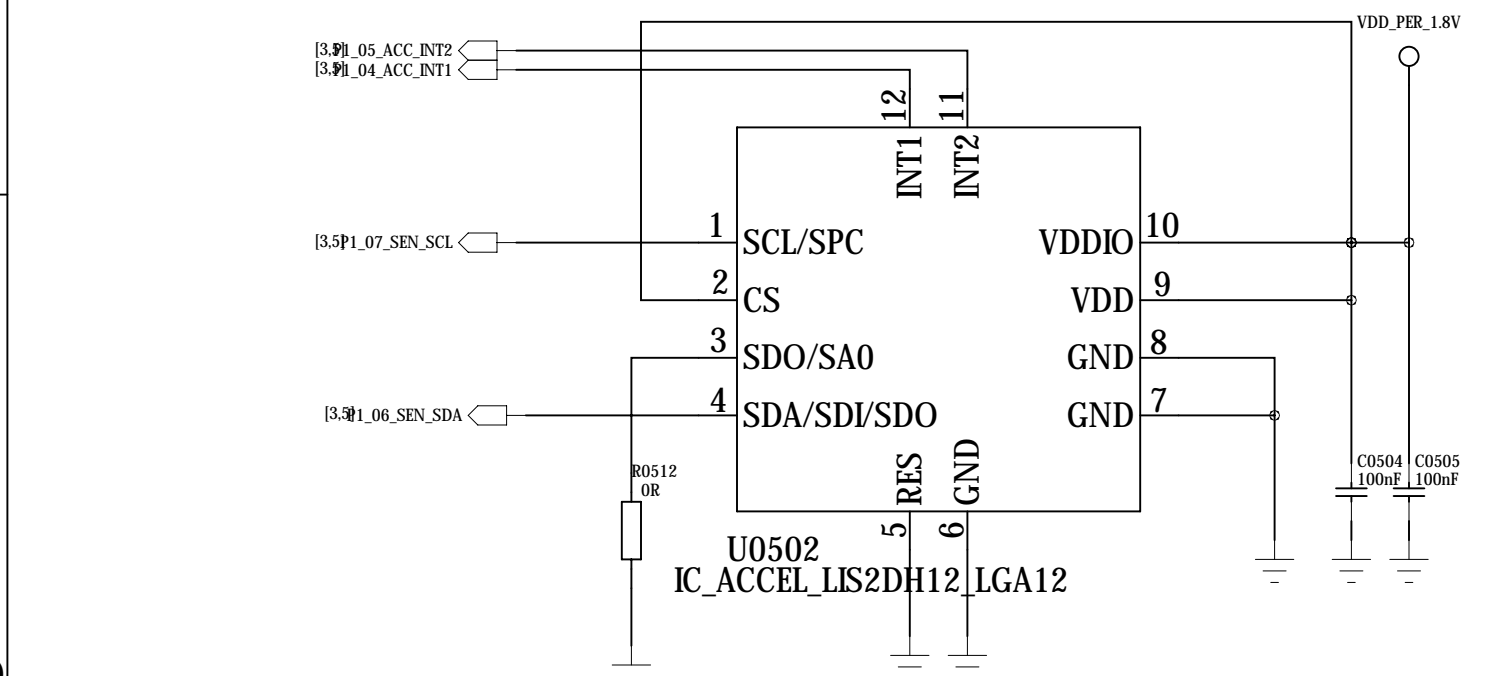
Symbol	Min.	Typ.	Max.
VDD_IO	1.65	1.8	3.6
V_CORE	1.4	1.8	3.6
V_BCKP	1.4		3.6
V_DCDC_IN	1.65		3.6



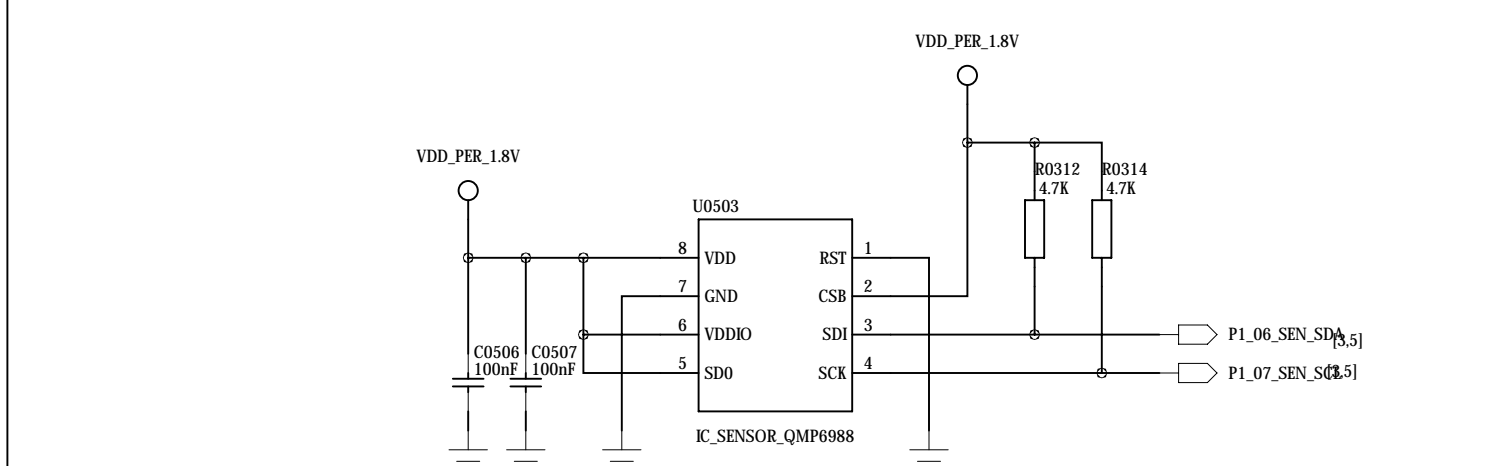
Symbol	Min.	Typ.	Max.
VDD	1.65	1.95	3.6
Address	0101100		

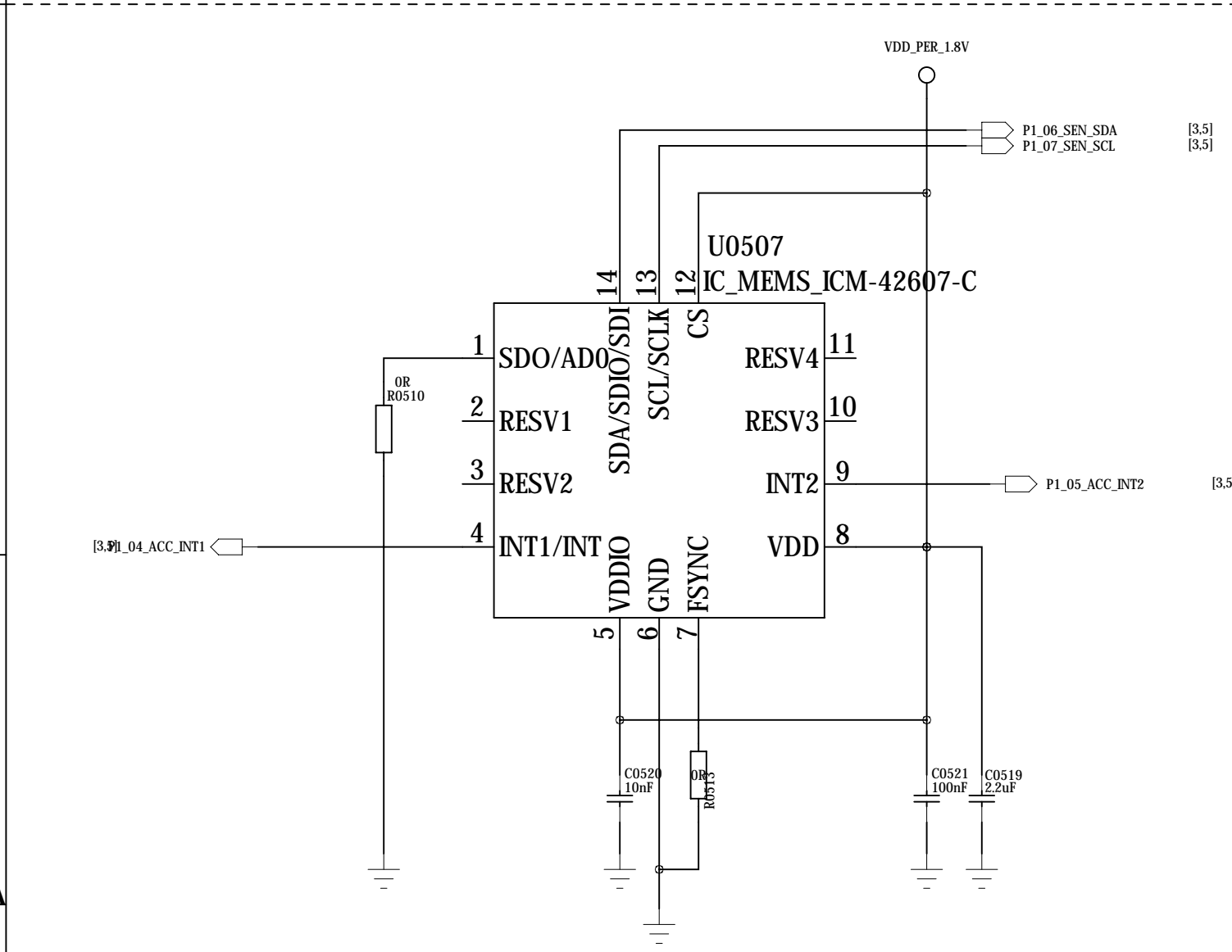
Symbol	Min.	Typ.	Max.
VDD	1.62	1.8	3.6
VIO	1.2	1.8	VDD
Address	0110000		



Symbol	Min.	Typ.	Max.
VDD	1.71	2.5	3.6
VDDIO	1.71		VDD+0.1
SA0(pin 3)	0011000b		
GND	0011001b		
VDDIO	0011001b		

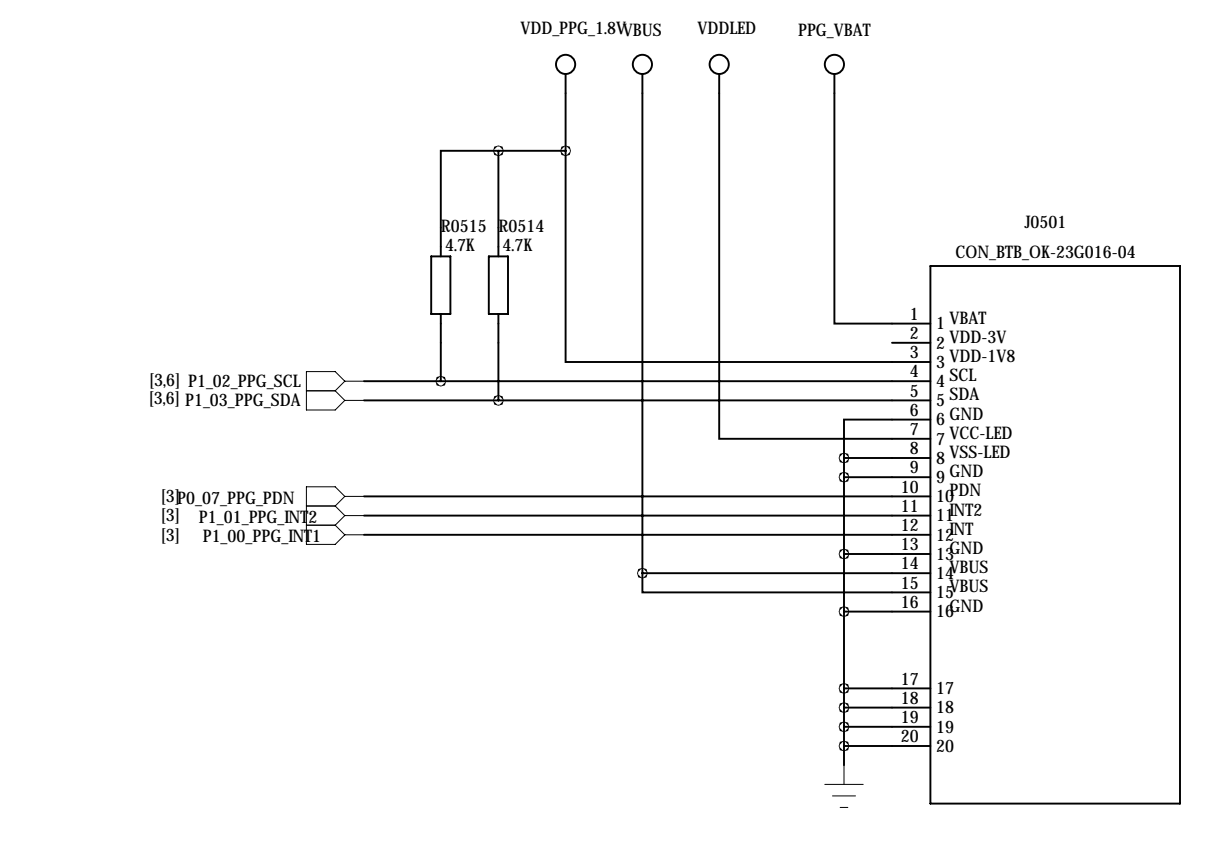
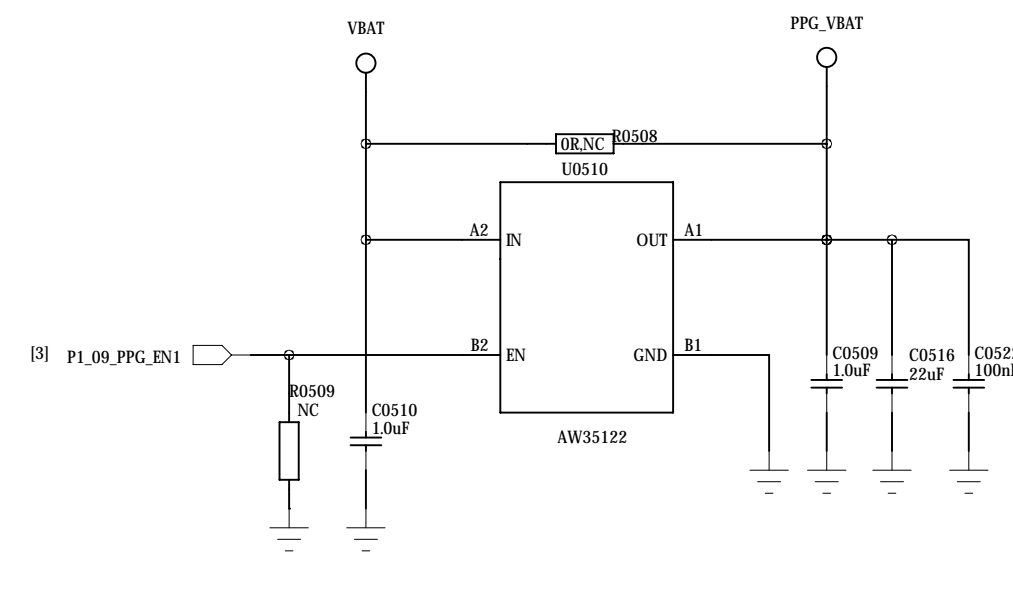
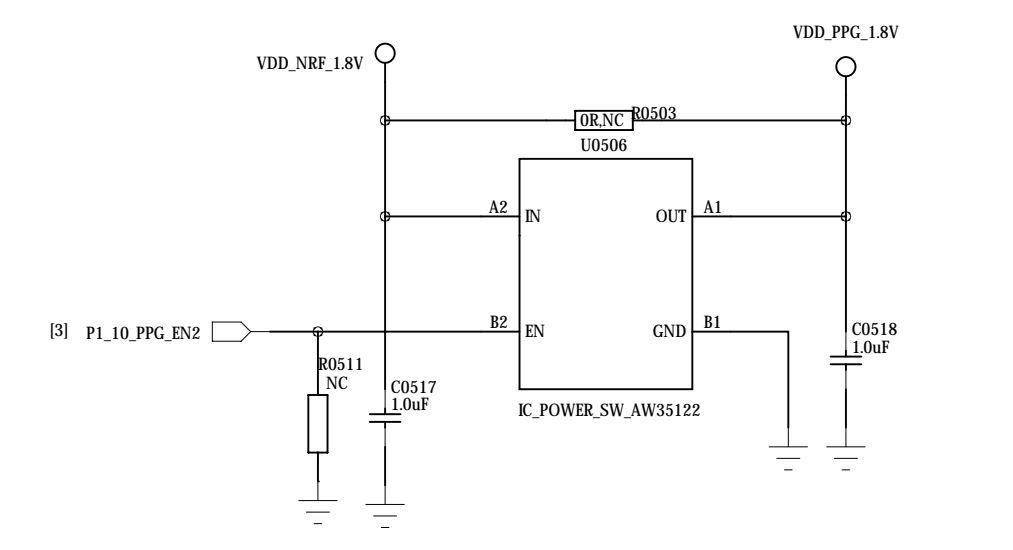
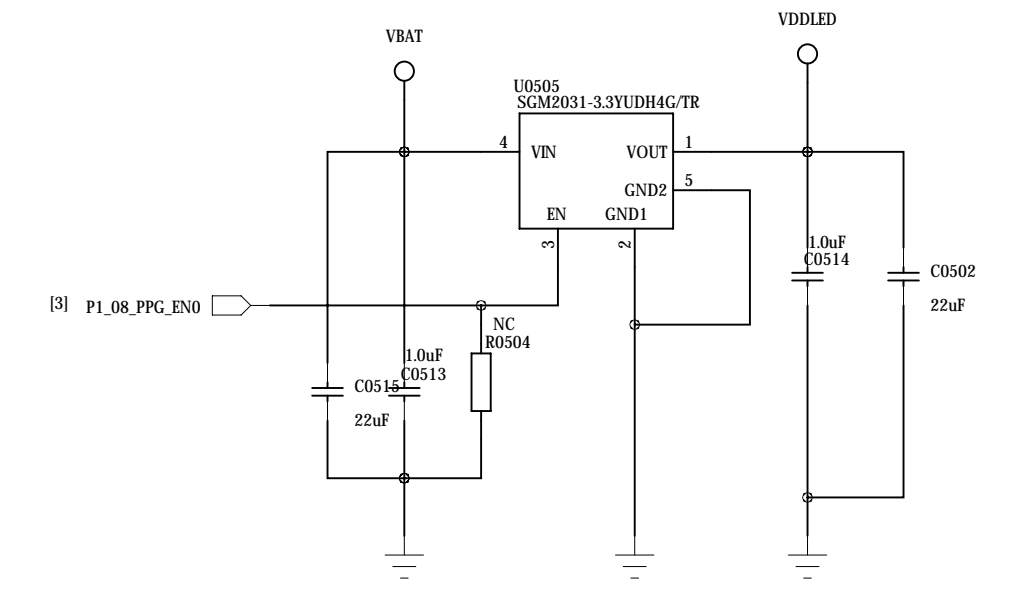


Symbol	Min.	Typ.	Max.
Vopr	1.71	1.8	3.6
Vio	1.2	1.8	3.6
SDO	Low(0) 70h + R/W 1110000b		
	High(1) 50h + R/W 1010110b		



Symbol	Min.	Typ.	Max.
VDD	1.71	1.8	3.6
VDDIO	1.71	1.8	3.6
AD0 (pin1)	1101000		
AD0 = 0	1101000		
AD0 = 1	1101001		

PPG



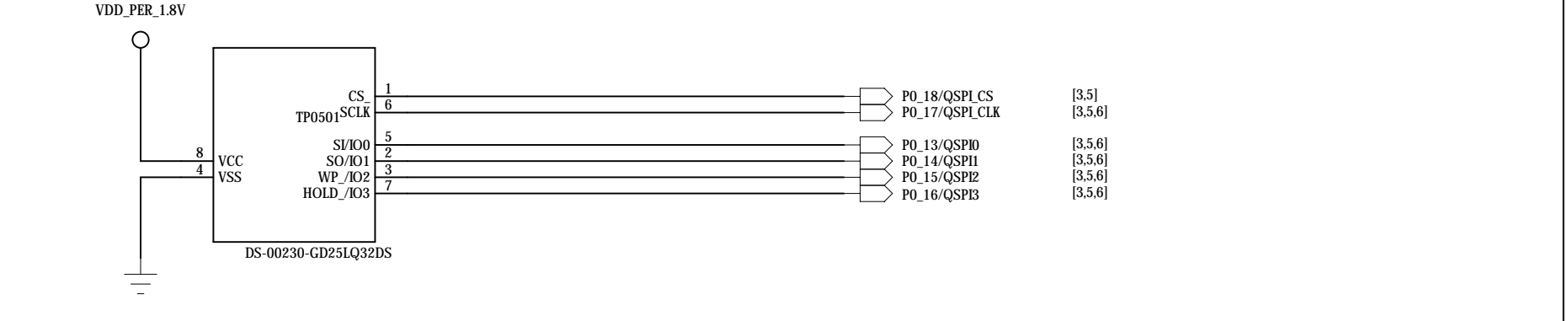
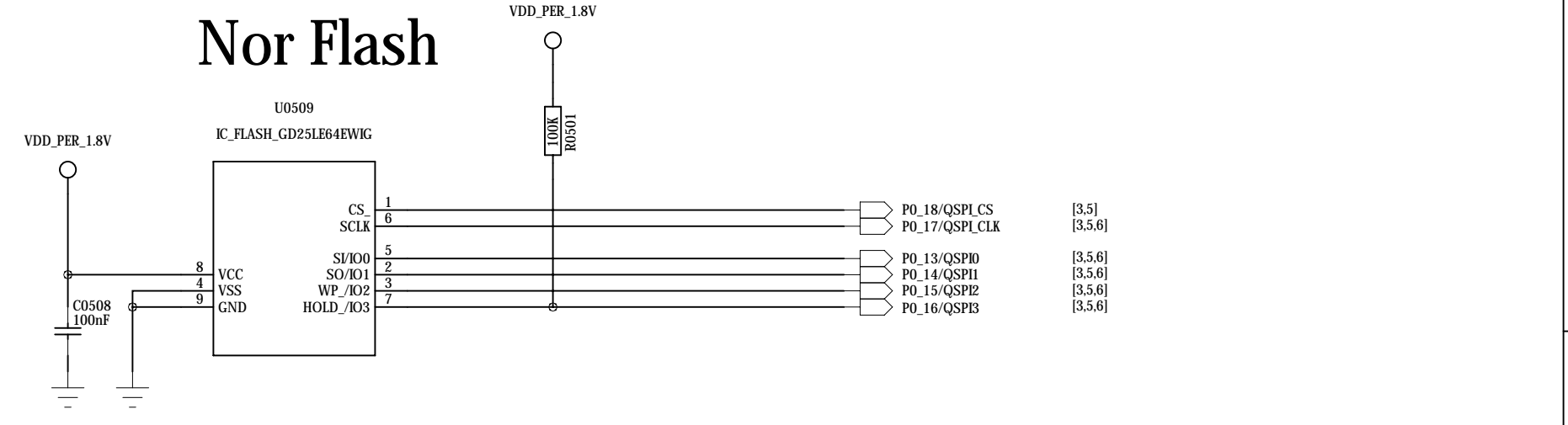
PAH8112ES

VDDM:MIN=3.1V;TYP=3.3V;MAX=3.6V

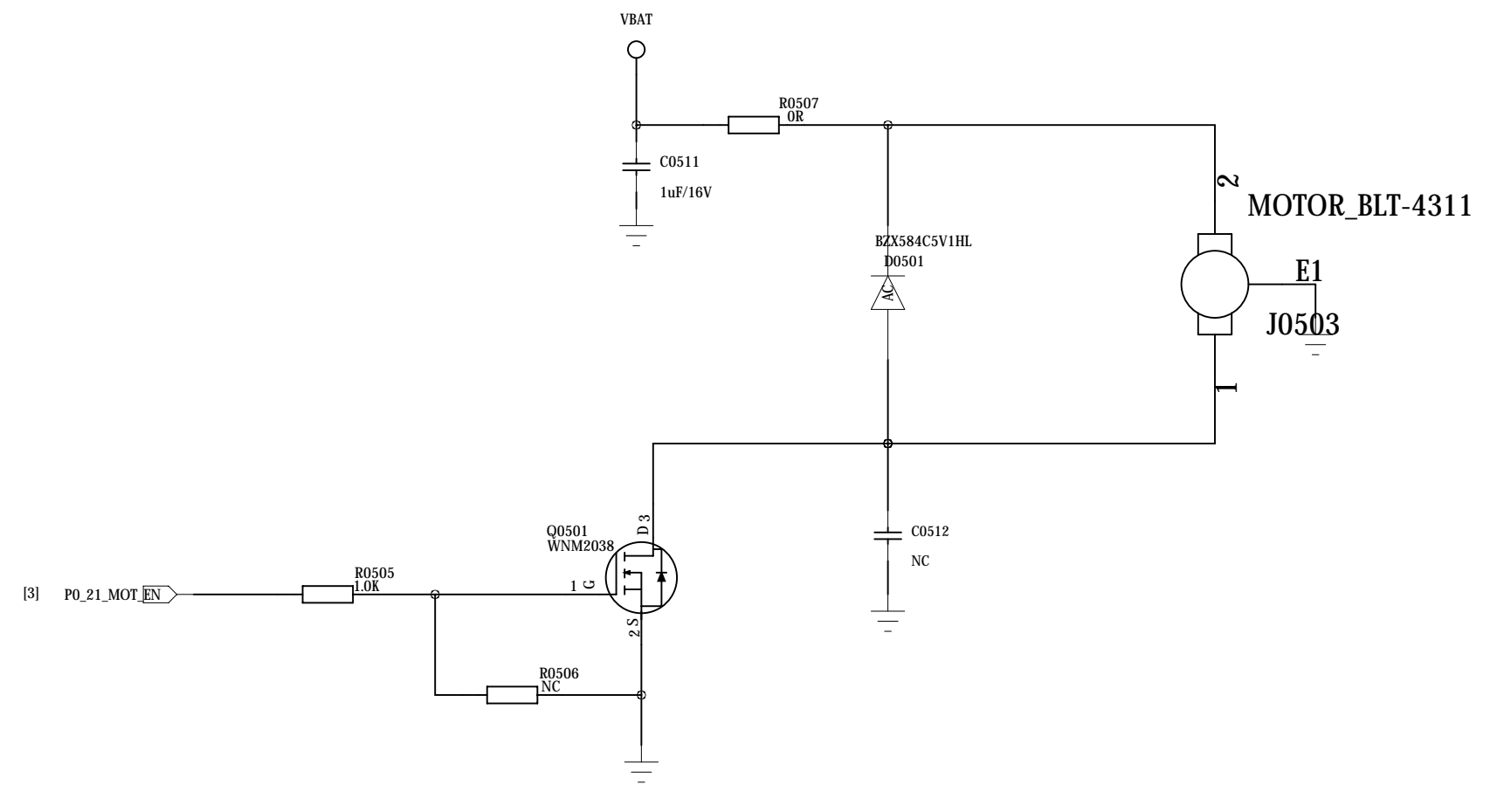
VDDLED:MIN=3.3V;MAX=4.5V

VDDA,VDDD:MIN=1.7V;TYP=1.8V;MAX=1.9V

VDDIO:MIN=1.62V;TYP=1.8V;MAX=3.6V

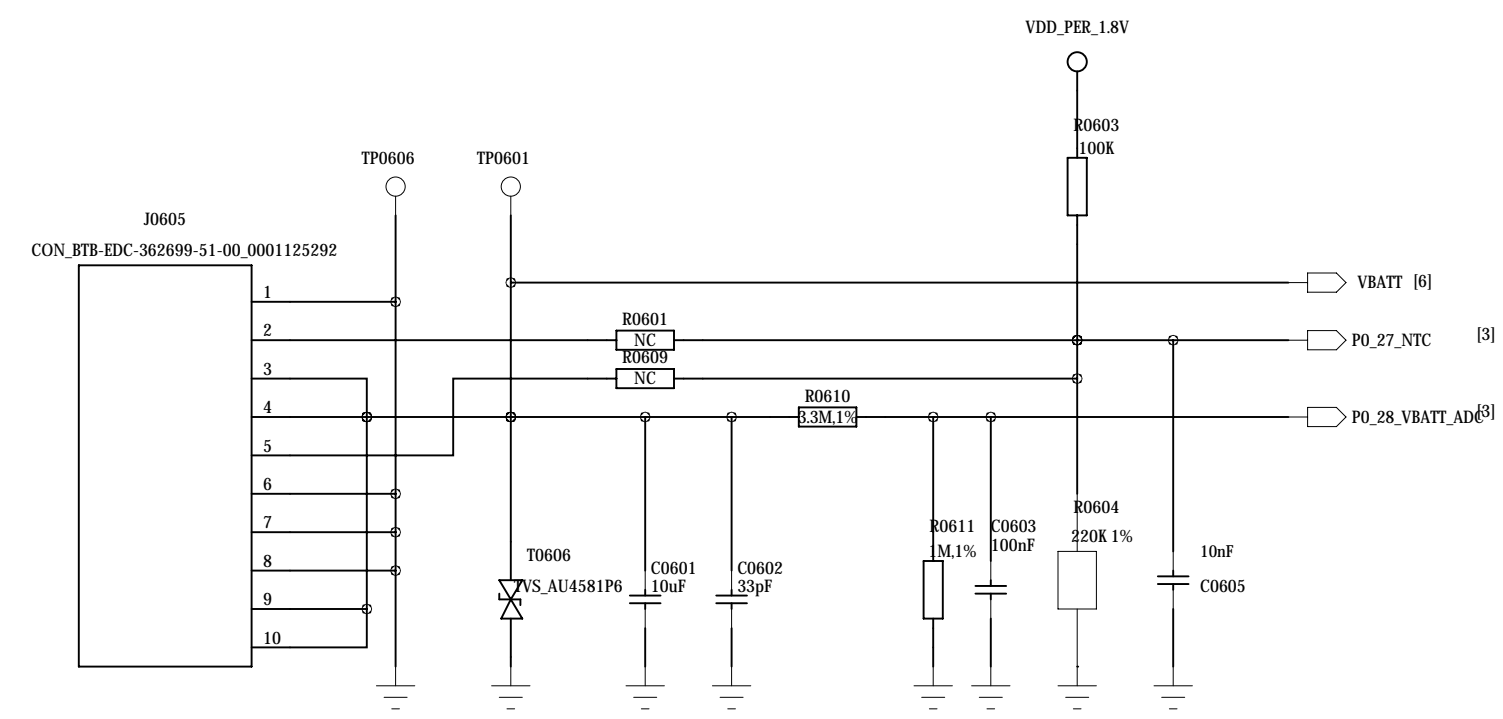


VIBR

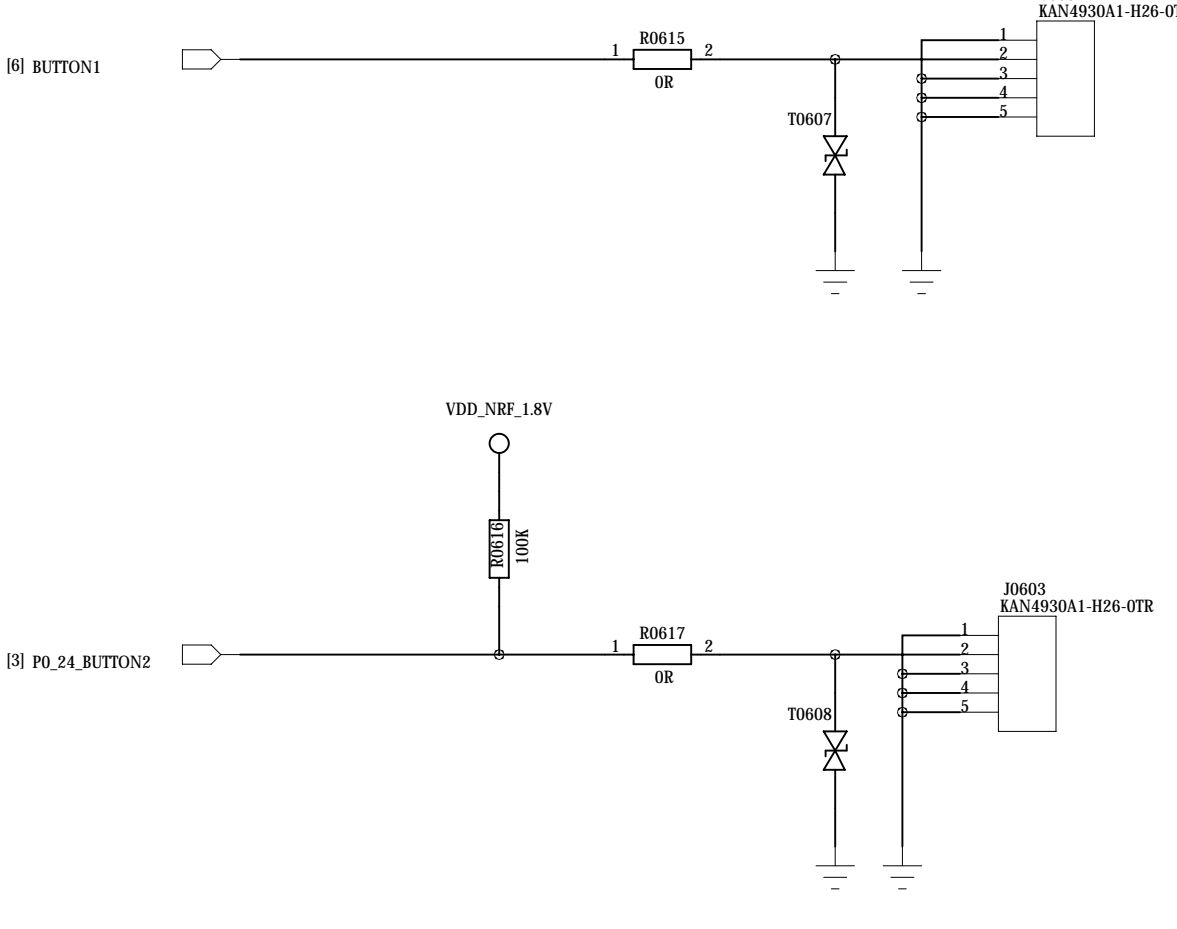
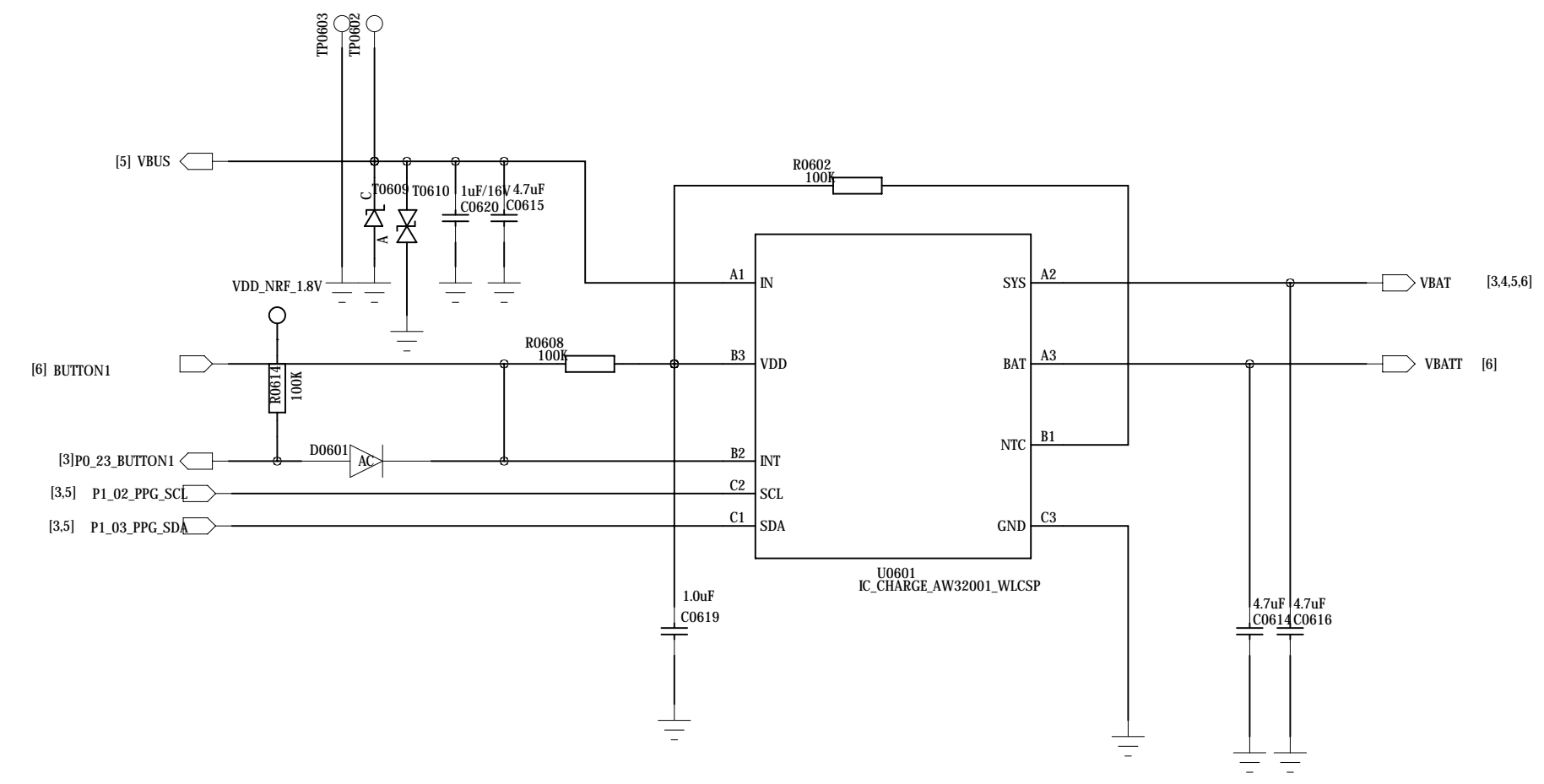


COMPANY:		PROJECT: LS340		Modified Date: 2021-07-07	
DRAWN		DATED	2021-07-07	TITLE:	05.SENSOR_NOR
CHECKED		DATED	2021-07-07	VERSION:	V12
				SHEET:	5 OF 6

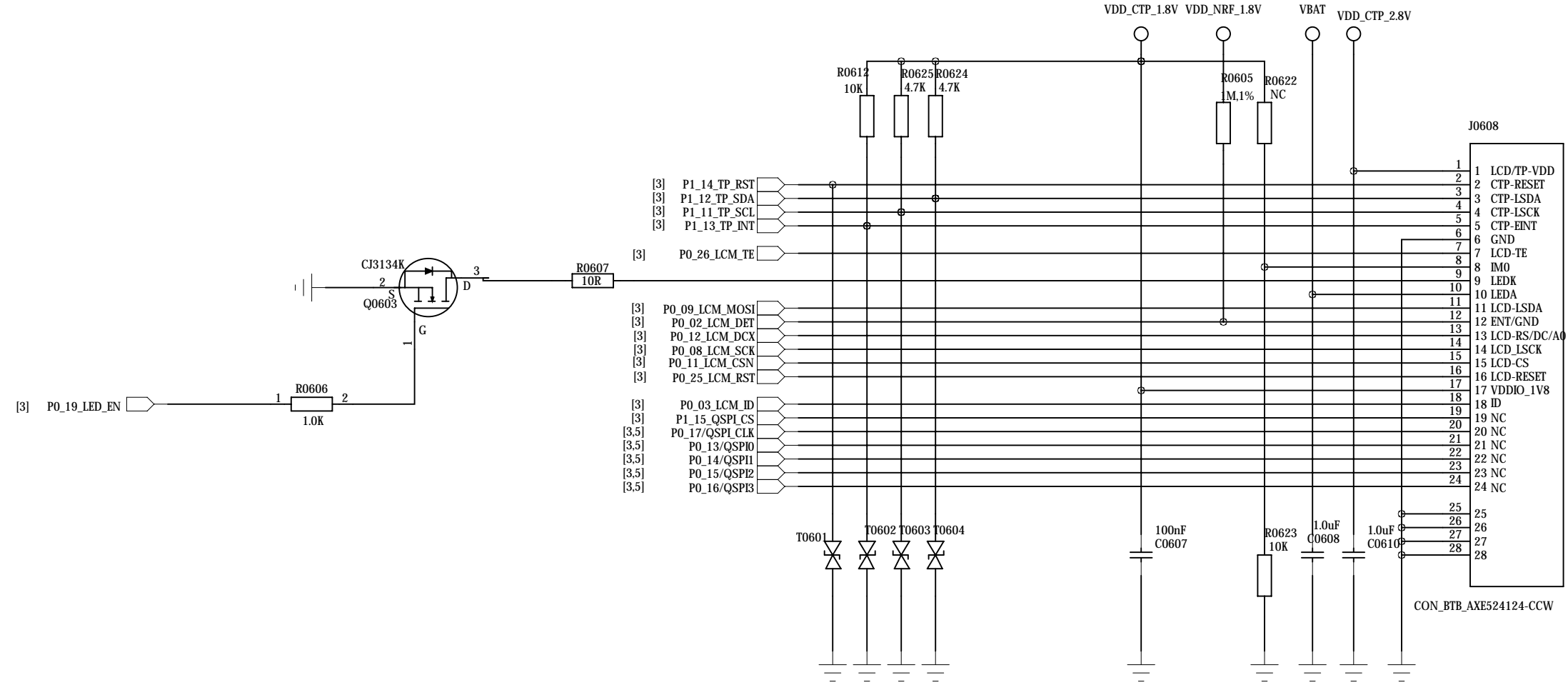
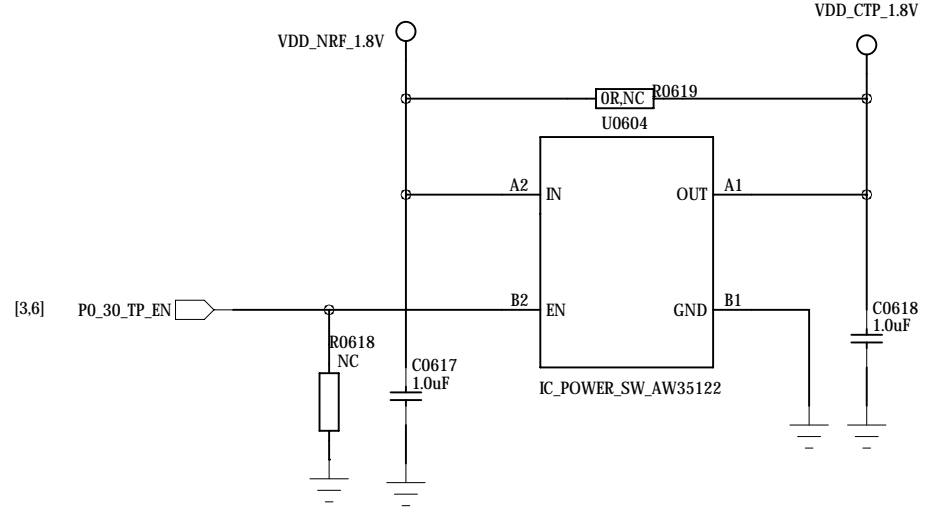
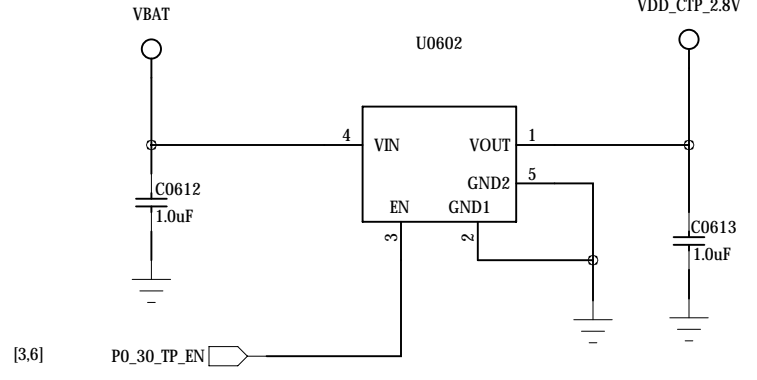
# Battery Connector



# Charge



FILE CODE	LS340-SCH-MB
FILE NAME	LS340-SCH-MB-V12



COMPANY:		PROJECT: LS340		Modified Date: 2021-07-07	
DRAWN	DATED	2021-07-07	TITLE: 06.BAT_CHARGING_LCD	VERSION: V12	SHEET: 6 OF 6
CHECKED	DATED	2021-07-07			