

# 产品承认书

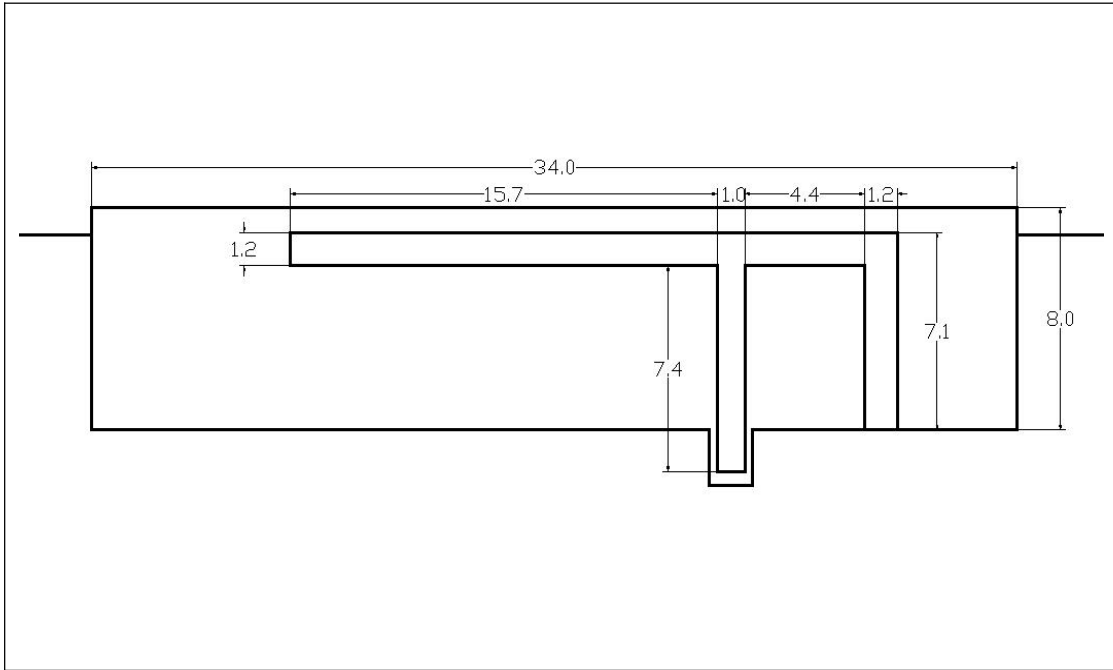
( Spec Cover )

# 承认书项目表 (Spec Item )

NO.	内容 (Contents)	页数 (Number of Page)	页码 (Page Code)
1	承认书封面 (Spec Cover)	1	1
2	承认书项目表 (Spec Item )	1	2
3	工程成品图 (Drawing)	1	3
4	电性测试报告 (Test Reports )	1	4
5	S 参数测试 (S Parameter )	2	5
6	增益测试 (Gain Test )	1	7
7	3D 天线增益图 (3D antenna pattern)	2	8
8			
9			
10			
11			
12			

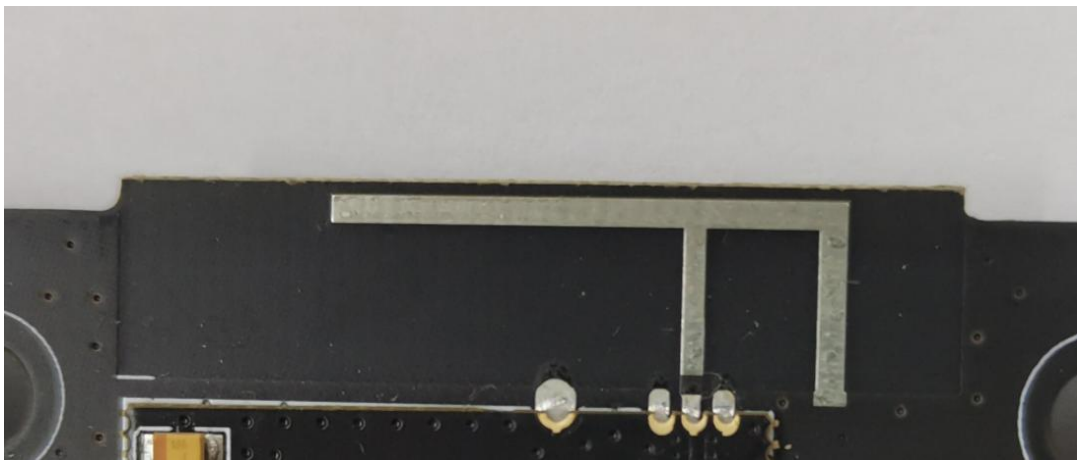
# 工程成品图

## Drawing



# 电性测试报告

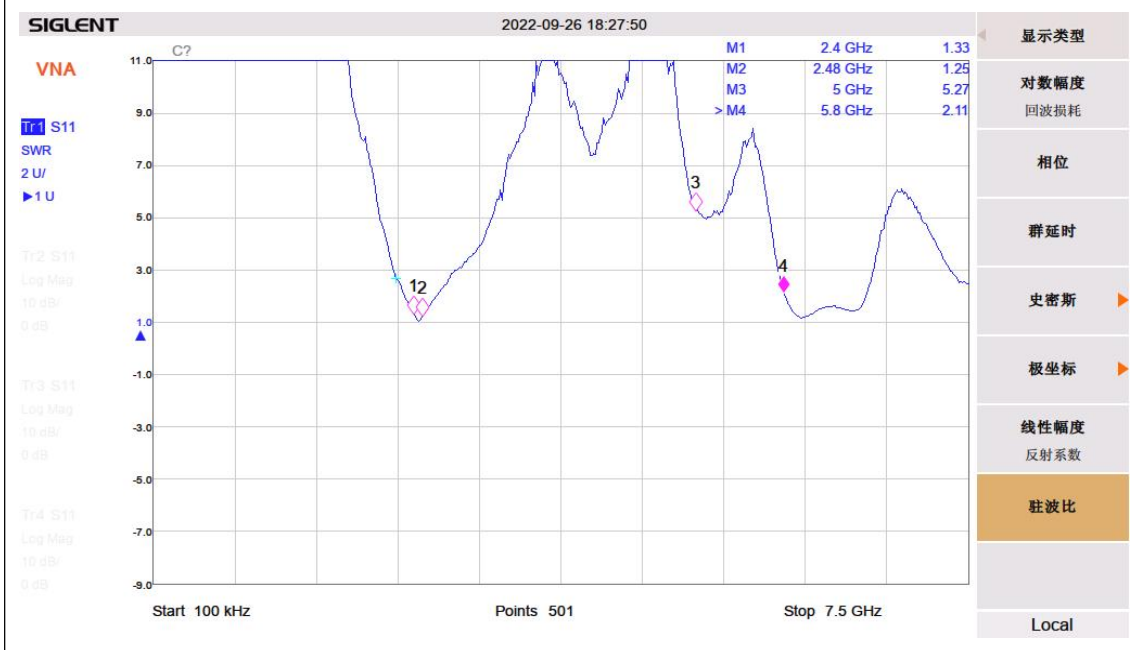
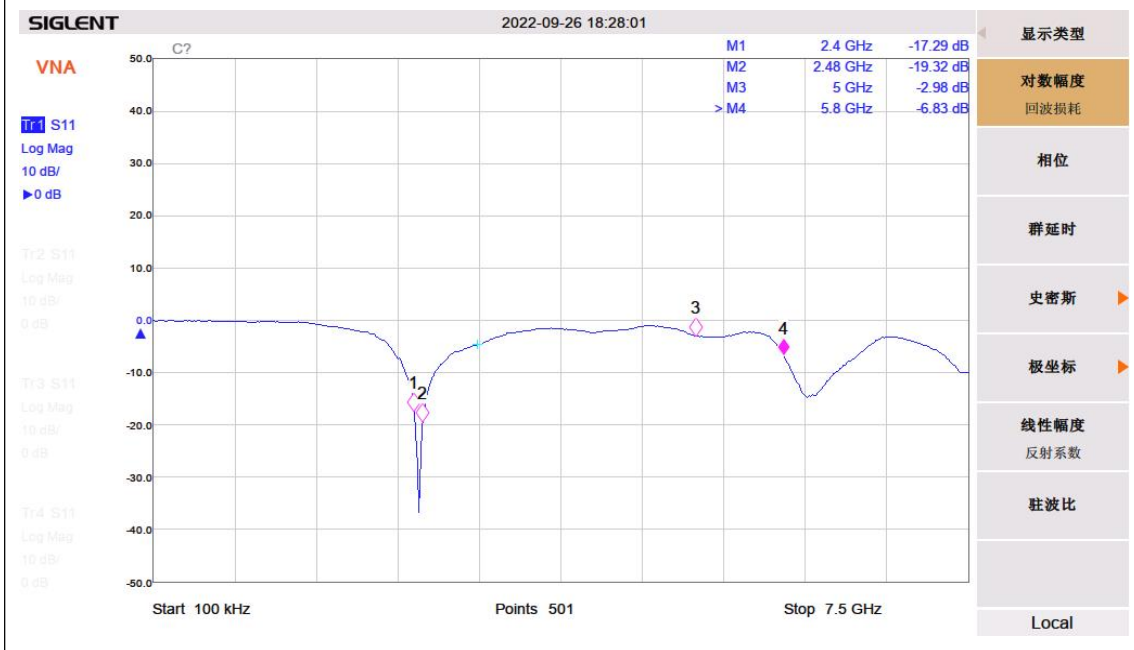
## Test Report

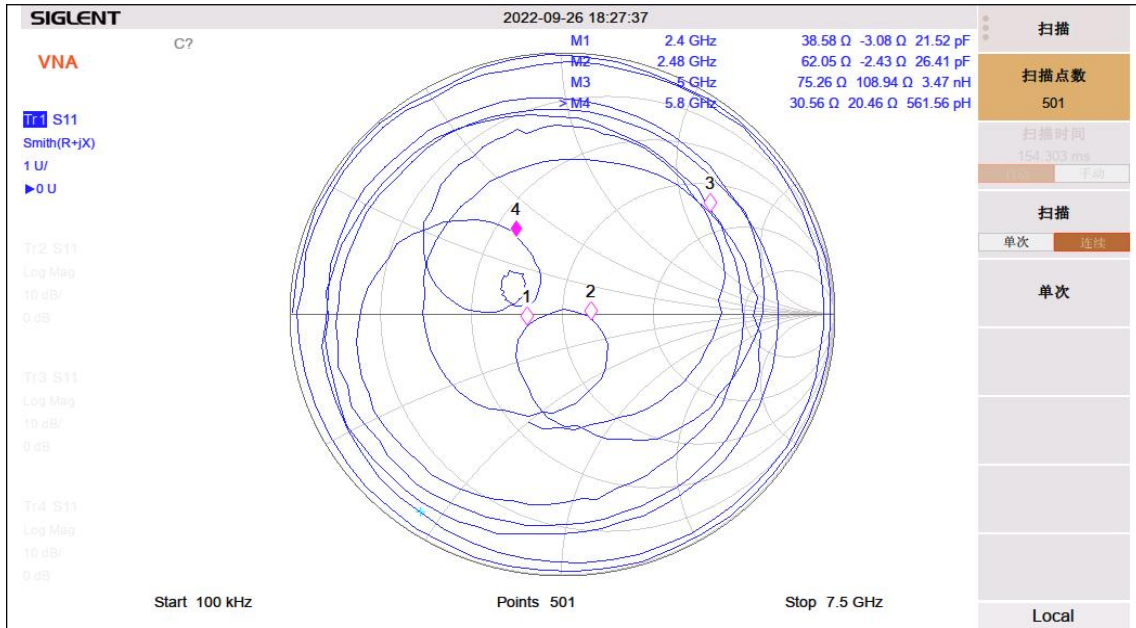
Sample Photo	
	
<b>Basic Parameter</b>	
Antenna Type	Literadio 1 PCB Antenna
Manufacturer	Shenzhen Baida Moxing Co.,Ltd.
Manufacturer Address	B1702A, Block ABCD, Building 3, Phase 1, Tian'an Cloud Park, Gangtou Community, Bantian Street, Longgang District, Shenzhen, China
<b>Electrical Characteristics</b>	
Frequency	2400 ~ 2500 MHz
S.W.R	$\leq 2.0$ @ 2400 ~ 2500 MHz
Impedance	50 Ohm Nominal
Return Loss	-10 dB Max
Radiation	Omni-directional
Cable Loss	None
Polarization	Linear, Horizontal
Admitted Power	1W
Connector	None
<b>Physical Properties</b>	
Antenna Material	FR4
Cable Type	None
Operating Temp.	-25~+85°C
Storage Temp.	-25~+85°C

# S 参数测试

## S parameter Test

Siglent SSA1000X





# 增益测试

## Gain Test

Freq.(MHz)	2400	2410	2420	2430	2440	2450	2460	2470	2480	2490	2500
Peak Gain(dBi)	3.23	3.23	3.23	3.23	3.23	3.23	3.23	3.23	3.24	3.24	3.24
Peak Degree	106	106	106	104	104	104	104	104	102	102	102
AV Gain(dBi)	0.74	0.73	0.72	0.68	0.67	0.66	0.65	0.64	0.61	0.6	0.59

# 3D 天线增益图

## 3D antenna pattern

