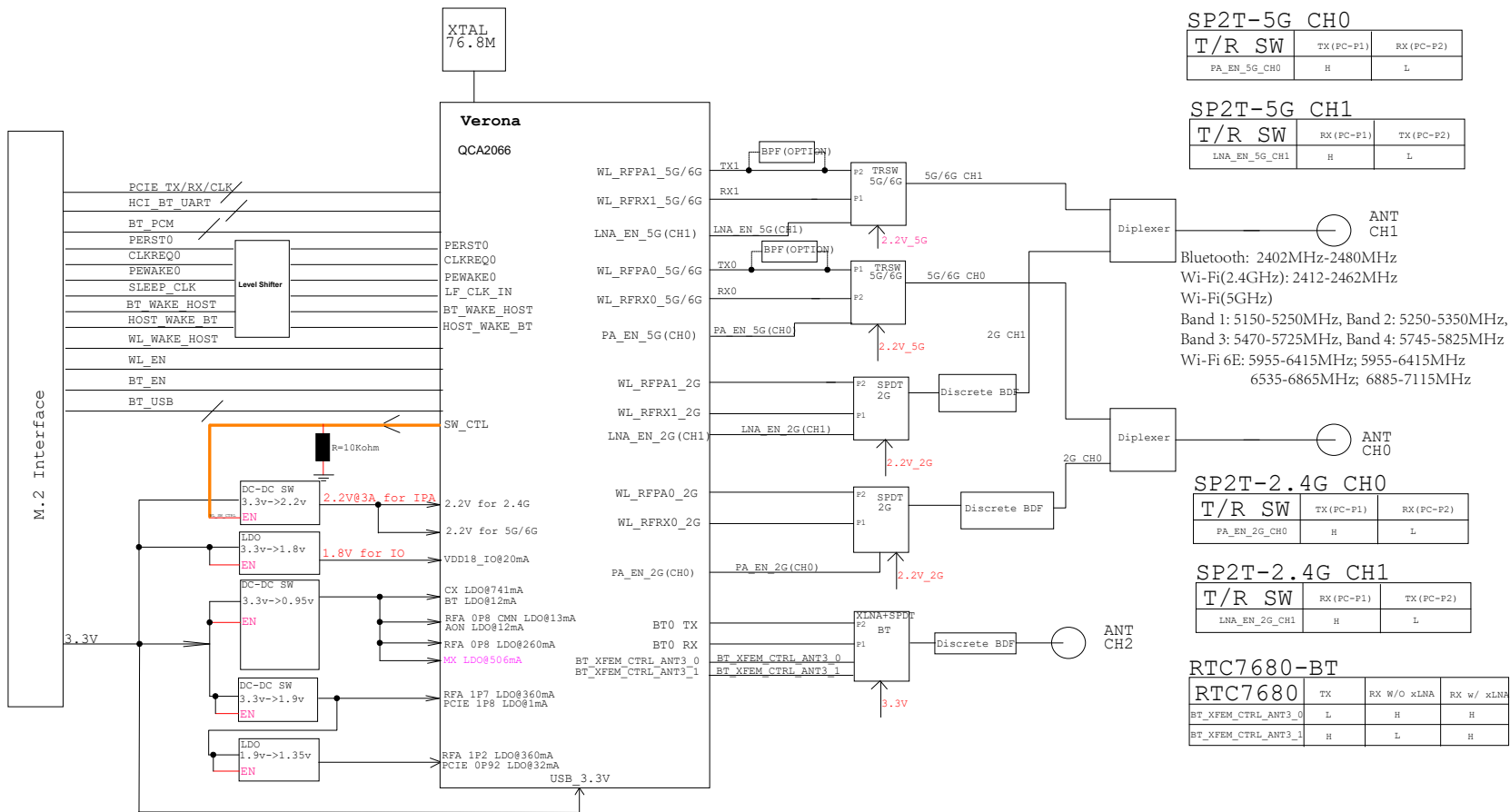


Block Diagram



TITLE SCHEMATIC, CCA, QCA2066, VER01, M.2 module,
 202 11/04 BY S.1 24/07/2021 SHW
 20 20 11/04 5G/6G PA/11/04 11/04 11/04 11/04