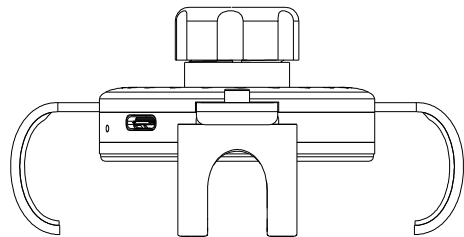
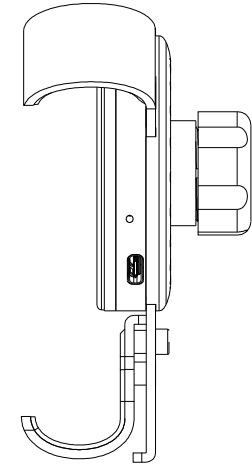
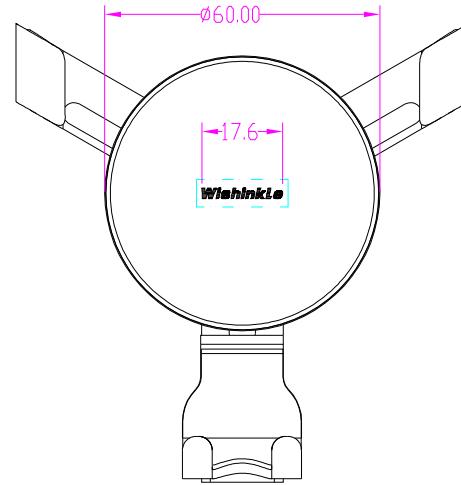
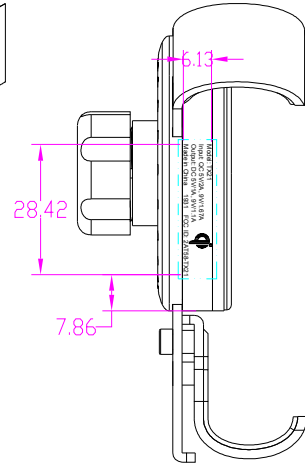
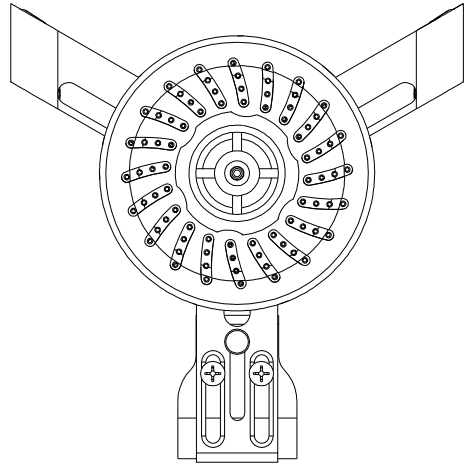


Model: TX21  
Input: QC 5V/2A, 9V/1.67A  
Output: DC 5V/1A, 9V/1.1A  
Made in China 1931FCC ID: 2AT58TX21



**Wishinkle**

