

MADE IN CHINA

NO. 955-108

NO. 955-109

WARNING: Not suitable for children under 3 years. Please refer to the instruction manual for more information.

PRECAUCIONES: No apto para niños menores de 3 años. Véase el manual de instrucciones para obtener más información.

CHOKING HAZARD - Small parts. Not for children under 3 years.

NOT RECHARGEABLE FOR CHILDREN: Not for children under 3 years. Please refer to the instruction manual for more information.

NOT RECHARGEABLE FOR CHILDREN: Not for children under 3 years. Please refer to the instruction manual for more information.

NOT RECHARGEABLE FOR CHILDREN: Not for children under 3 years. Please refer to the instruction manual for more information.

SAFETY INSTRUCTION FOR BATTERY USAGE

1. Batteries must be inserted with the correct polarity. Do not mix different types of batteries or new and used batteries.

2. Only the recommends or the same types batteries can use with the car.

3. The supply terminals can not be short circuited.

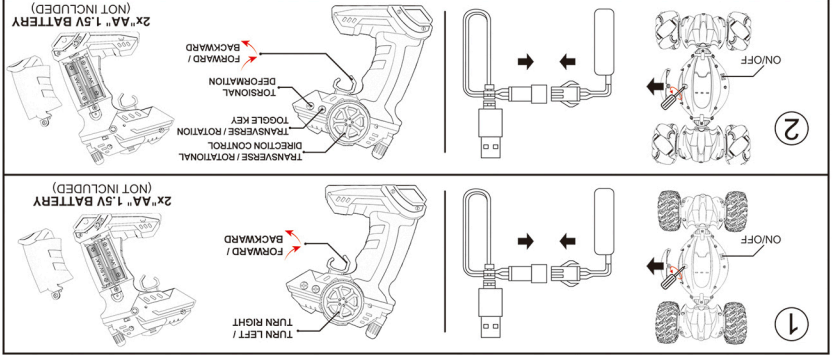
4. Exhausted batteries must be removed from the car.

5. Non-rechargeable batteries should not be charged. The batteries are only to be charged under adult supervision.

6. The user need to be regularly examined for the damage of the wire, plug, shell and related part. In the event of such damage, stop using until the damage has been repaired. Do not break off the antenna of the controller, or the sharp part may cut you.

7. The R/C car should use 3.7V battery Pack, R/C controller should use 1.5V "AA" batteries non-rechargeable battery.

***SPECIFICATIONS AND COLORS OF CONTENTS MAY VARY FROM PHOTO.**



STUNT CLIMBING CAR

RC

CRAZY TWISTING DRIFT

MAX RACING

AGES 8+

ROTATION
 SOUND
 DUAL FORM
 DRIFT
 REMOTE CONTROL
2.4GHZ Signal channel
REMOTE CONTROL

ROTATION
 SOUND
 DUAL FORM
 DRIFT
 REMOTE CONTROL
2.4GHZ Signal channel
REMOTE CONTROL

LINGSHENG TOYS

STUNT CLIMBING CAR

STUNT CLIMBING CAR

STUNT CLIMBING CAR

MAX RACING

NEW DESIGN PERFORMANCE STUNT CLIMBING

CRAZY TWISTING DRIFT

New technology build
Strength to conquer all kinds of terrain,
new special effects
distortion cars, cool debut

FCC Regulatory Compliance

changes or modifications not expressly approved by the party responsible for compliance could void the user's authority to operate the equipment. This equipment has been tested and found to comply with the limits for a Class B digital device, pursuant to Part 15 of the FCC Rules. These limits are designed to provide reasonable protection against harmful interference in a residential installation. This equipment generates, uses and can radiate radio frequency energy and, if not installed and used in accordance with the instructions, may cause harmful interference to radio communications. However, there is no guarantee that interference will not occur in a particular installation. If this equipment does cause harmful interference to radio or television reception, which can be determined by turning the equipment off and on, the user is encouraged to try to correct the interference by one or more of the following measures:

- Reorient or relocate the receiving antenna.
- Increase the separation between the equipment and receiver.
- Connect the equipment into an outlet on a circuit different from that to which the receiver is connected.
- Consult the dealer or an experienced radio/TV technician for help.