

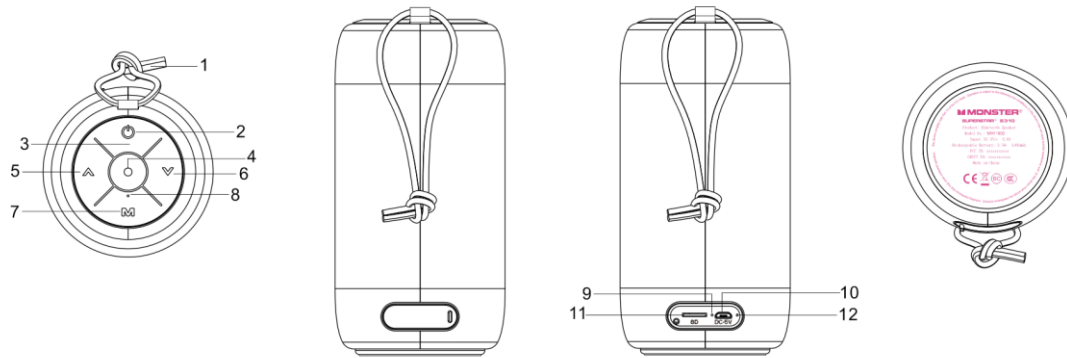
M MONSTER[®] **SUPERSTAR[™]**

型号:MS11902



Quick Start Guide

* Please read this Quick Start Guide carefully and keep it for future use.



Product Overview:

*SPEAKER

* Micro USB Cable (Charging only)

* Lanyard

* Quick Start Guide & Warranty letter

1. Lanyard
2. Power On/Off Button
3. LED indicator (power on/off/pairing)
4. Multi Function Button(MFB)
(Pairing,phone call/end/reject,music play/pause)
5. Volume Up Button
6. Volume Down Button
7. Power On/Off Button
8. MIC
9. charging LED
10. charge out
11. SD card slot
12. Reset button

Power/Charging

Before using the speaker,you need to charge the battery and pair the speaker with a compatible device.

The package includes a Micro USB cable that can be connected to your computer or other device made for USB charging.

You can use a standard USB compatible charging device,or you can plug the USB cable

directly into a laptop or pc.

Caution:ONLY use computer USB output or standard 5 volt only(500mA minimum) power adaptor for charging.

Damage may occur if non-standard USB power adaptor is used for charging.Do not charge if connector and/or device is wet or damaged.

Power On/Power Off

Power On mode,press and hold the Power On/Off Button for about 2 secnds to power on the speaker,you hear the opening tone.

To Power off the speaker,press and hold the Power On/Off Button for about 2 seconds again, you will hear a shutdown tone.

Power On mode,press Power On/Off Button once to recall the battery level.

Bluetooth pairing

1. When unpacking and powering up for the first time, the speaker will automatically enter pairing mode.
2. Enable the Bluetooth function of your phone to search for new devices.

music

You can play and pause your music using the MFB Button.To perform this function short press the button.some phones may require you to start a media player first.

Press and hold the Volume Up Button for 2 seconds for next song.

Press and hold the Volume Down Button for 2 seconds for previous song.

Call

Answer a Call:Press the MFB once.

Reject a Call:Press and hold the MFB for about 2 Seconds.

End a Call:Press the MFB once.

Volume control

short press Volume Up Button or Volume Down Button to turn volume up or down,you hear drip tone once you reach the maximum volume.

SD card playback

When the SD card is plugged in, it will be played with the SD card as the priority. If you want to use Bluetooth to play, you can use the M button to switch the audio source.

Reset paired device list

After Power On and no music playing/no call, press the volume up button and the volume down button for 3 seconds.

Reset Device

if there is a malfunction,press the Reset Button By using a paper clip.

True Wireless Mode(TWS EDITION only)

To link two speakers(s110) in True Wireless Mode

1. Enter the true wireless mode on the first speaker, just one Bluetooth connection.

Double-click the MFB button and hear the “beep” and the speaker will automatically connect.

2. After the TWS is connected, you will hear the “Left channel” and “Right channel” voice prompts, and the LED indicator will turn blue and flash slowly, in the left “L” and right “R” modes respectively.

Remark:

For best listening in stereo mode,speakers must be placed in an equal distance apart from the listener .

LED Indicator Guide

Status	Description	Voice Prompt
Power On	Blue LED stays On about 1 second	/
Power Off	Red LED stays On about 1 second	/
Pairing	Blue LED flashes quickly	/
Connected	Blue LED On	/
Connected(TWS)	Blue LED On	/
Charging	Red LED lights when charging	/

Caution

Please fully charge before use.

* There is a risk of explosion if the battery is incorrectly replaced. The battery can only be replaced with a battery of the same type or equivalent. It is not recommended to replace the battery without permission, but it can be returned to the manufacturer for replacement.

*The battery [battery pack or battery pack] must not be exposed to lighting, baking or similar overheating conditions.

FCC Information

FCC ID: 2AT2J-MS11902

This equipment has been tested and found to comply with the limits for a Class B digital device, pursuant to part 15 of the FCC Rules. These limits are designed to provide reasonable protection against harmful interference in a residential installation. This equipment generates, uses and can radiate radio frequency energy and, if not installed and used in accordance with the instructions, may cause harmful interference to radio communications.

However, there is no guarantee that interference will not occur in a particular installation. If this equipment does cause harmful interference to radio or television reception, which can be determined by turning the equipment off and on, the user is encouraged to try to correct the interference by one or more of the following measures:

- Reorient or relocate the receiving antenna.
- Increase the separation between the equipment and receiver.
- Connect the equipment into an outlet on a circuit different from that to which the receiver is connected.

This device complies with part 15 of the FCC Rules. Operation is subject to the following two conditions:

- (1) This device may not cause harmful interference.
- (2) This device must accept any interference received, including interference that may cause undesired operation.

NOTICE: Any changes or modifications to this product will void the user's authority to operate the equipment.