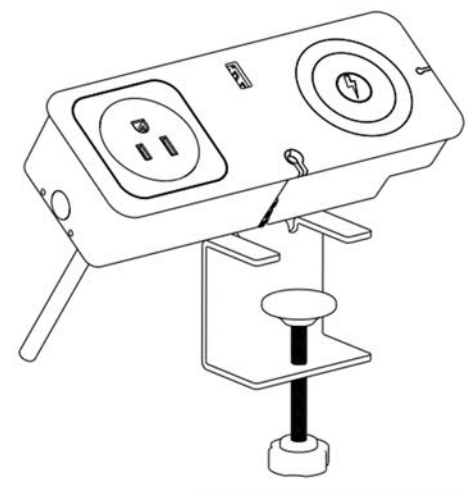


Multi-function Wireless Charger Power Strip

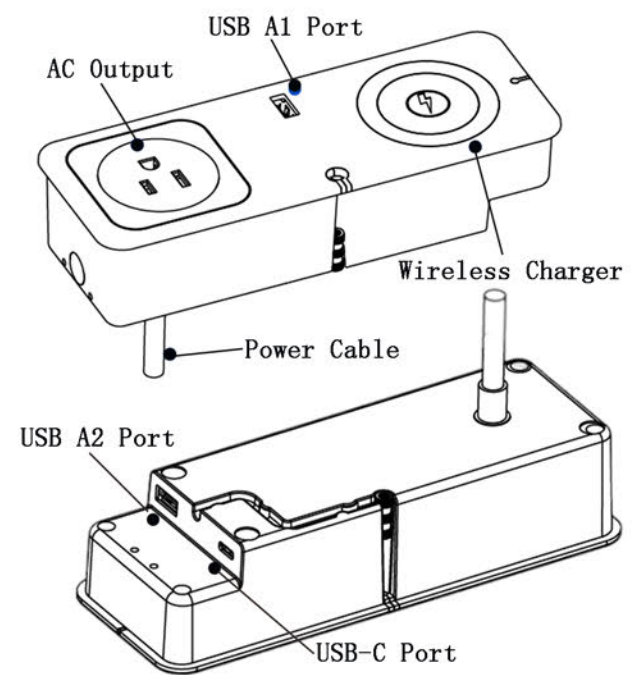
- USB C-PD charger
- USB A charger
- AC outlet



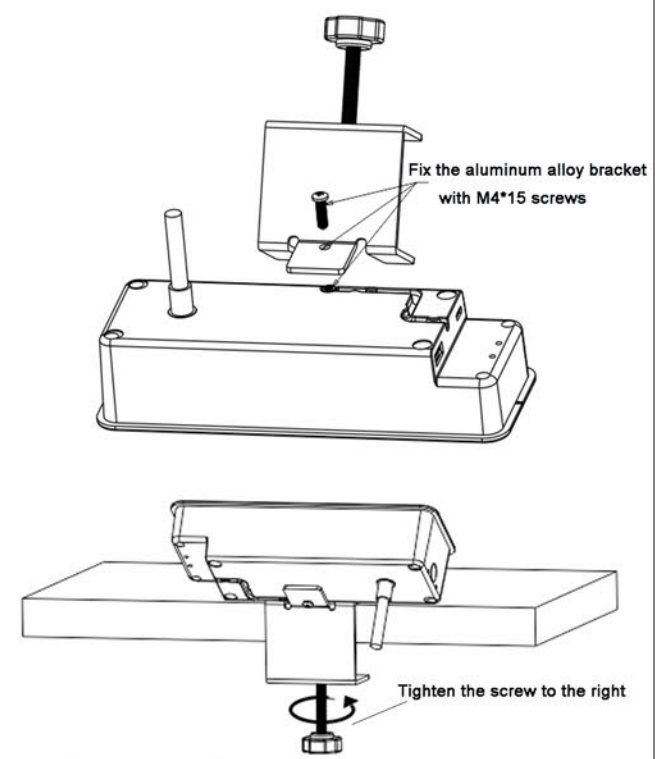
Instruction manual

Multi-function Wireless Charger Power Strip

Functional Analysis

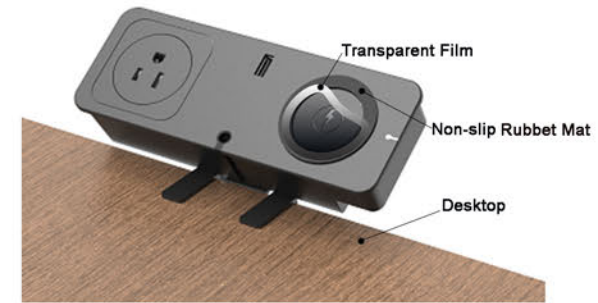


Installation Method



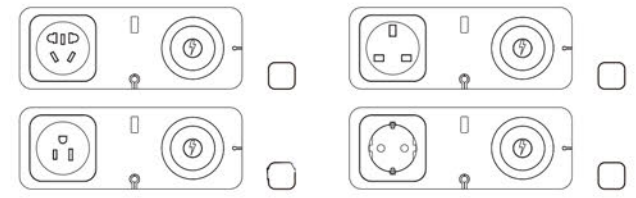
Note For Wireless Charging

For the first use, please tear off the transparent film which attached to the wireless charging non-slip mat



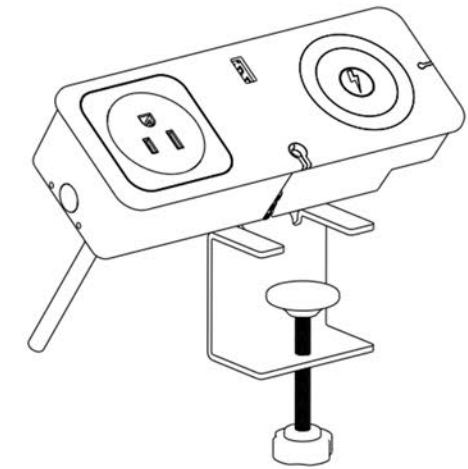
Product Specification

Product model: KT-SC03
 Product name: Multi-function wireless charger power strip
 input: 100-240~, 50/60HZ
 Max AC current: 10A
 Wireless charger output: 5W /7.5W /10W /15W max
 Usb output:
 single USB-C output, 5V 3A /9V 2.22A /12V 1.67A;
 single USB A1 output, 5V 3A /9V 2A /12V 1.5A;
 dual USB A1+ USB C output, 5V 3.4A;
 USB A2 output, 5V 1A
 Wireless charger: 4-9mm
 Product size: 180*66*41mm



多功能无线充插座

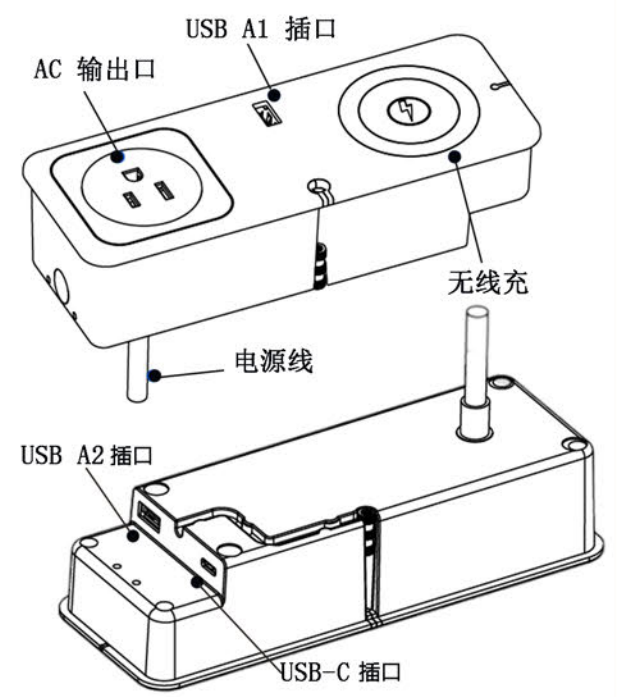
- USB C-PD 充电
- USB A 充电
- AC 输出



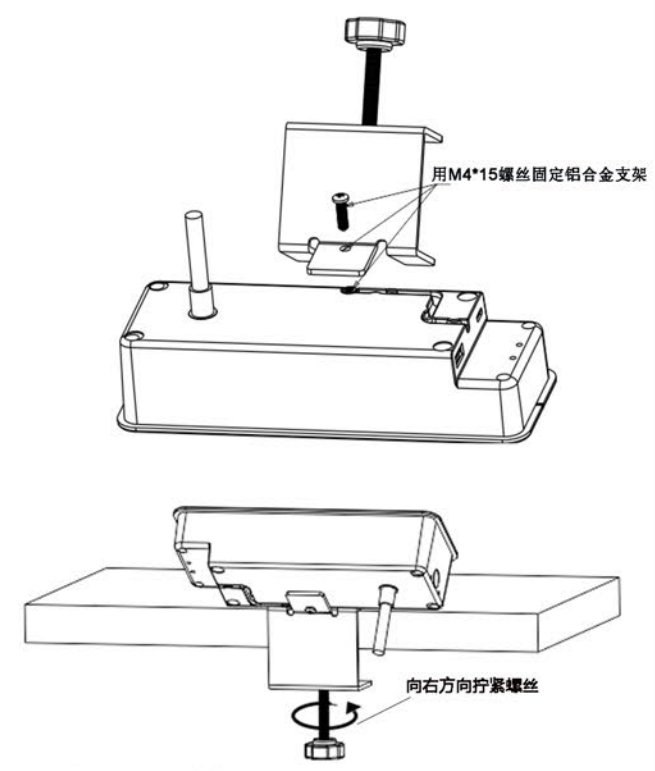
使用说明书

多功能无线充插座

功能解析



安装方式



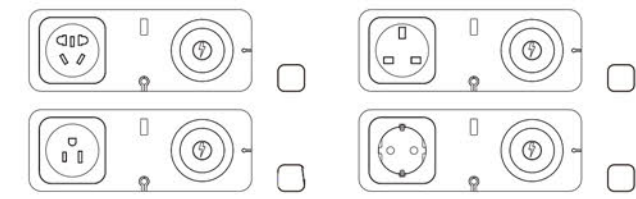
无线充注意事项

首次使用请撕掉附在无线充电防滑垫上的透明膜



产品规格

产品型号: KT-SC03
 产品名称: 多功能无线充插座
 输入: 100-240~, 50/60HZ
 最大 AC 电流: 10A
 无线充输出: 5W /7.5W /10W /15W max
 Usb 输出:
 单接口USB-C输出, 5V 3A /9V 2.22A /12V 1.67A;
 单接口USB A1输出, 5V 3A /9V 2A /12V 1.5A;
 双接口USB A1+ USB C输出, 5V 3.4A;
 USB A2, 5V 1A
 无线充距离: 4-9mm
 产品大小: 180*66*41mm



FCC statement:

This device complies with Part 15 of the FCC rules. Operation is subject to the following two conditions: 1) this device may not cause harmful interference, and 2) this device must accept any interference received, including interference that may cause undesired operation.

Note: This equipment has been tested and found to comply with the limits for a Class B digital device, pursuant to part 15 of the FCC Rules. These limits are designed to provide reasonable protection against harmful interference in a residential installation.

This equipment generates uses and can radiate radio frequency energy and, if not installed and used in accordance with the instructions, may cause harmful interference to radio communications. However, there is no guarantee that interference will not occur in particular installation. If this equipment does cause harmful interference to radio or television reception, which can be determined by turning the equipment off and on, the user is encouraged to try to correct the interference by one or more of the following measures:

- Reorient or relocate the receiving antenna.
- Increase the separation between the equipment and receiver.
- Connect the equipment into an outlet on a circuit different from that to which the receiver is connected.
- Consult the dealer or an experienced radio/TV technician for help.

Changes or modifications not expressly approved by the party responsible for compliance could void the user's authority to operate the equipment.

Radiation Exposure Statement

This device complies with FCC RF radiation exposure limits set forth for an uncontrolled environment. This transmitter must not be co-located or operating in conjunction with any other antenna or transmitter. During the operation of device a distance of 15 cm surrounding the device and 20 cm above the top surface of the device must be respected.