



Tengxiang Technology.Inc

东莞市腾祥电子有限公司

Product Number: AN2400-0104RS-B

Product Name: Antenna

Specification For Approval

Date: 2023.2.23

Version: 1.0

客户名称

Customer:

敏视

客户料号

Customer P/N:

31160100119

腾祥料号

TX P/N:

AN2400-0104RS-B

规格描述

Description:

2.4G 黑色天线 RP SMA (公头母针)

2.4G Black Antenna RP SMA

Tengxiang Checked By: 腾祥审核		Customer Approved By: 客户审核	
DRAWN 制作	路婷	TESTED BY 检测	
CHECKED BY 审核	胡超	CHECKED BY 审核	
Q.C.DEPT. 品管	梁凤珍	Q.C.DEPT. 品管	
APPROVED BY 核准	韦佳	APPROVEDBY 核准	



NO.53 Shatou ShaChong Road, ChangAn Town, Guangdong province, China

中国广东省东莞市长安镇沙头区沙涌路 53 号

TEL:86-769-81873082 FAX:86-769-82663788

<http://www.tenxiang.cn>



Tengxiang Technology.Inc

东莞市腾祥电子有限公司

Product Number: AN2400-0104RS-B

Product Name: Antenna

Index:

1. Specification (规格)
2. Characteristics and Reliability Test (产品特性和可靠性测试标准)
3. Antenna - S Parameter Test Data (样品测试数据)
4. Antenna - Radiation Pattern Test Data (辐射模式测试数据)
5. Mechanical and Packing Drawing (图纸包装规范)
6. Material Description and RoHS Test Report (环保测试报告)

Revision History (变更履历)

Revision	Date	Change Notification	Description
1.0	2023.2.23	初版	

Product Number: AN2400-0104RS-B

Product Name: Antenna

1. Specification

Sample Photo	
	
A. Electrical Characteristics	
Frequency 频率	2400-2500 MHz
S.W.R. 驻波比	<= 2.0
Antenna Gain 增益	0.41dBi
Polarization 极化方式	Linear
Impedance 阻抗	50 Ohm
B. Material & Mechanical Characteristics	
Material of Plastic 塑胶材质	TPE
Cable Type 线材规格	/
Connector Type 连接器规格	RP SMA Plug (公头母针)
C. Environmental	
Storage Temperature 存储温度	- 40 °C ~ +80 °C
Operation Temperature 工作温度	- 40 °C ~ +80 °C
Antenna Color Storage life 天线颜色存储寿命	< 2 year

Product Number: AN2400-0104RS-B

Product Name: Antenna

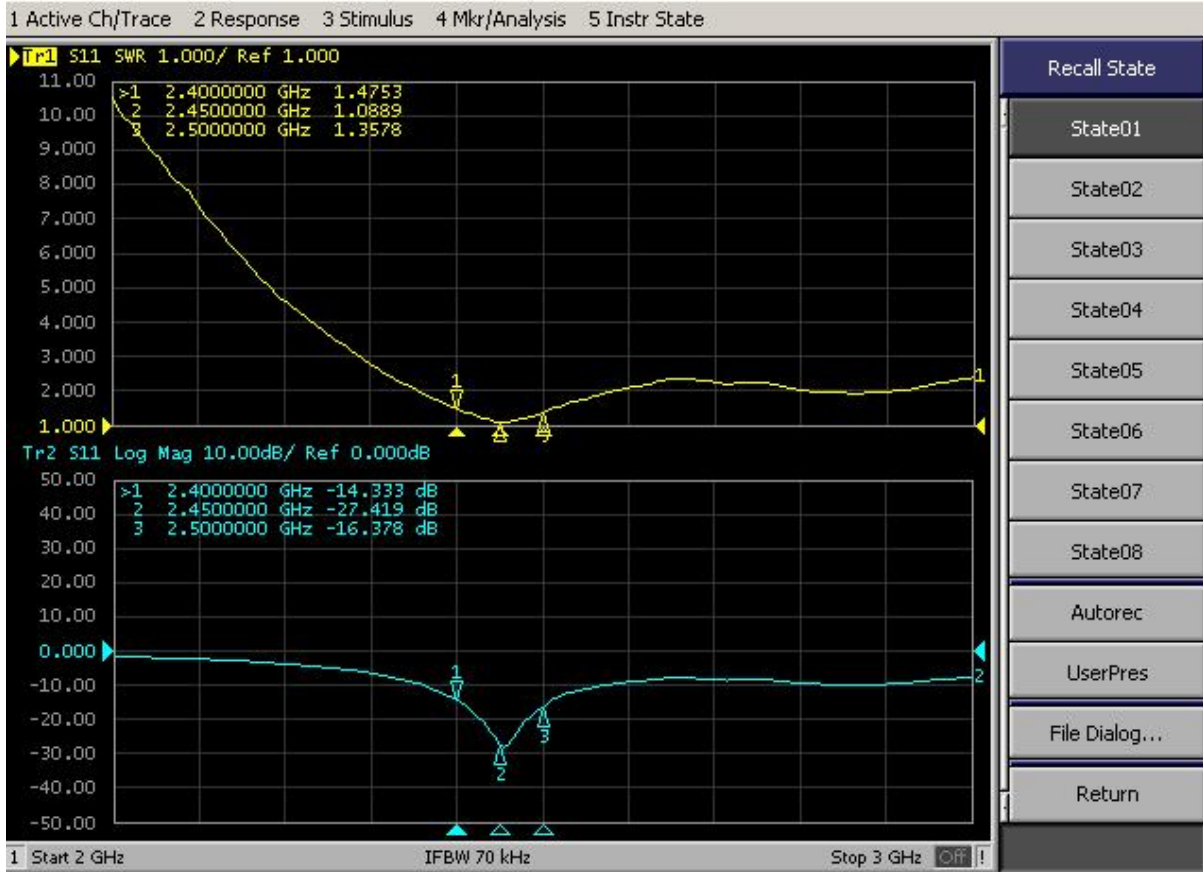
2. Characteristics and Reliability Test

Test Items 测试项目	Test Condition and Procedure 测试方法	Requirements 要求	Result 结果
1 V.S.W.R. 电压驻波比	Set DUT on Network Analyzer; make individual calibration to test 设置网络分析仪参数进行测试	Directive DUT specification 符合待测物规范	PASS
2 Antenna Gain 天线增益	Set DUT on Antenna Chamber; make individual calibration to test 设置天线暗室参数进行测试	Directive DUT specification 符合待测物规范	PASS
3 Pull Test 拉力	Holding with individual specification; force applied to axis of terminal .单独定义产品端子拉力	1. Directive DUT specification 2. Frequency Tol.≤5% 符合待测物规范;频率偏移≤5%	PASS
4 Torque Test 扭力	Holding with individual specification; applied clockwise and counterclockwise to the axis of terminal 单独定义产品端子之顺时针及逆时针扭力	1. Directive DUT specification 2. Frequency Tol.≤ 5% 符合待测物规范;频率偏移≤5%	PASS
5 Dimension 尺寸	Inspection of dimension, color, material, package, surface process.检查尺寸,颜色,材料,包装,表面处理	Directive DUT specification 符合待测物规范	PASS
6 Waterproof 防水	With Reference to IEC 60529 // IP Code Definition 参考 IEC60529 IP 定义	Directive DUT specification 符合待测物规范	PASS
7 Salt Spray 盐雾	GB / T 2423.17-2008 Temp: 35°C; RH: ≥ 95%; NaCl solution: ≥ 5%;Time: 24H 温度 35°C; 湿度≥95%;盐水浓度≥5%; 测试 24H	1. No Visual Damage 2. Frequency Tol.≤5% 无明显外观不良;频率偏移≤5%	PASS
8 Temperature and Humidity Chamber 恒温恒湿	GB / T 2423.3-2006 Temp: 80°C / 12 H; -40°C / 12H RH: ≥ 90%; Time: 24H 温度 80°C 测试 12H 转-40°C 测试 12H; 湿度≥ 90%; 时间 24H	After 2 Hours Recovery 1. No Visual Damage 2. Frequency Tol.≤5% 恢复 2H 后, 无明显外观不良;频率偏移≤5%	PASS
9 Aging test 老化	GB / T 2423.2 - 2008 Temp:80°C; Time: 24 hours 温度 80° C, 测试 24H	After 2 Hours Recovery 1. No Visual Damage 2. Frequency Tol.≤5% 无明显外观不良;频率偏移≤5%	PASS
10 RoHS	With Reference to IEC 62321:2008 with flow chart 参考 IEC 62321 测试流程	Directive RoHS 2011/65/EU 符合 RoHS 2015/863/EU 标准	PASS

Product Number: AN2400-0104RS-B

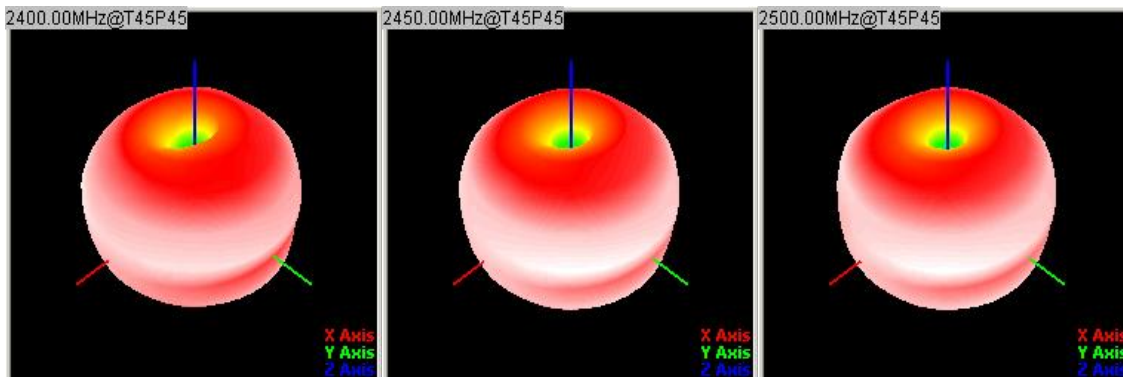
Product Name: Antenna

3. Antenna - S Parameter Test Data



4. Antenna - Radiation Pattern Test Data

Frequency (MHz)	2400.0	2450.0	2500.0
Efficiency (%)	44.70	44.20	39.10
Gain (dBi)	0.41	0.31	0.31



5. Mechanical Drawing See attached files

HF

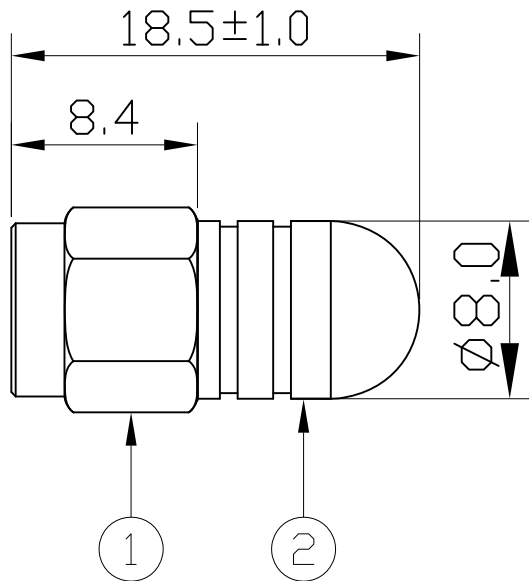
RoHS

REACH

CONFIDENTIAL


SIGN	DATE	DESCRIPTION	APPROVER
△			
△			
△			

SMA公头母针



Note:
 1. Dimension: Take * is the important dimension
 2. Tolerance: Unmarked tolerance refer to the standard tolerance please

2	ANT01-02B	body	TPE	Black,L=10.0mm	1
1	SMA084-G8MR-ANT	RP- SMA plug	Cu	Au Plating	1
No.	Part Number	Name	Material	Finish	Q'ty

 **Tengxiang Electronics Co., Ltd.**

TITLE: 2.4GHz Antenna SMA公头母针

PART NO.: AN2400-0104RS-B CUSTOMER P/N: /

APP BY	CHK BY	RF BY	DES BY	Tolerance
YCX	WJ	RF	dwf	
2023.02.23	2023.02.23	2023.02.23	2023.02.23	X.XX ±0.2
				X° ±1

UNITS: mm
 SCALE: 1/1
 REVISION: A

產品包裝規範

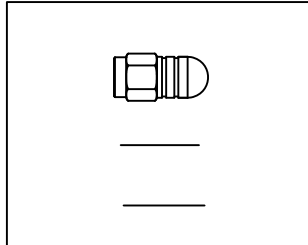
PACKING CRITERION

Date: 2023.02.23

Page: 1 of 1

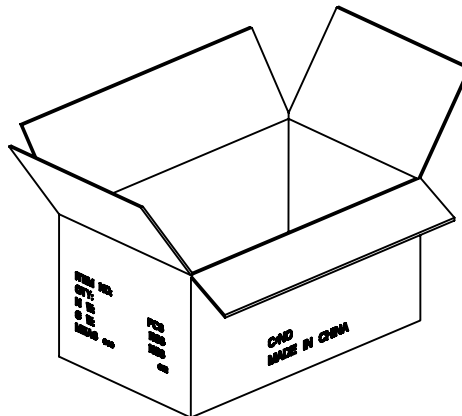
Part Number : AN2400-0104RS-B	Revision : A
Name: 2.4GHz Antenna	Customer : ALL

1 . Enter PE bag.



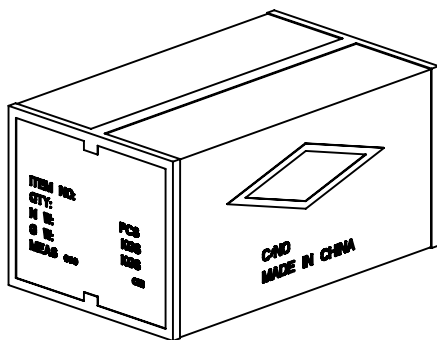
100pcs/ PE bag

2.PACKING .

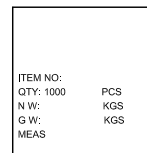


4000pcs/BOX

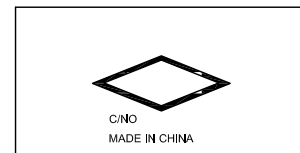
3. SEALING .



SIDE



FRONT



APPROVED BY : YCX

CHECKED BY : WJ

DESIGNED BY : DWF