

Description

K-MC1_LP is a low current, doppler module with an asymmetrical narrow beam for long distance sensors. It is ideally suited for traffic applications.

This module includes a RF low noise amplifier and two 47dB IF pre-amplifiers for both I and Q channels. The need for external analogue electronics will be significantly reduced by this feature.

K-MC1_LP needs 10 times less current than our standard K-MC1 sensor and works from 3.3V or 5V power supplies.

An extremely slim construction with only 6mm depth gives you maximum flexibility in your equipment design.

Powerful starter kits with signal conditioning and visualization are available.

Blockdiagram

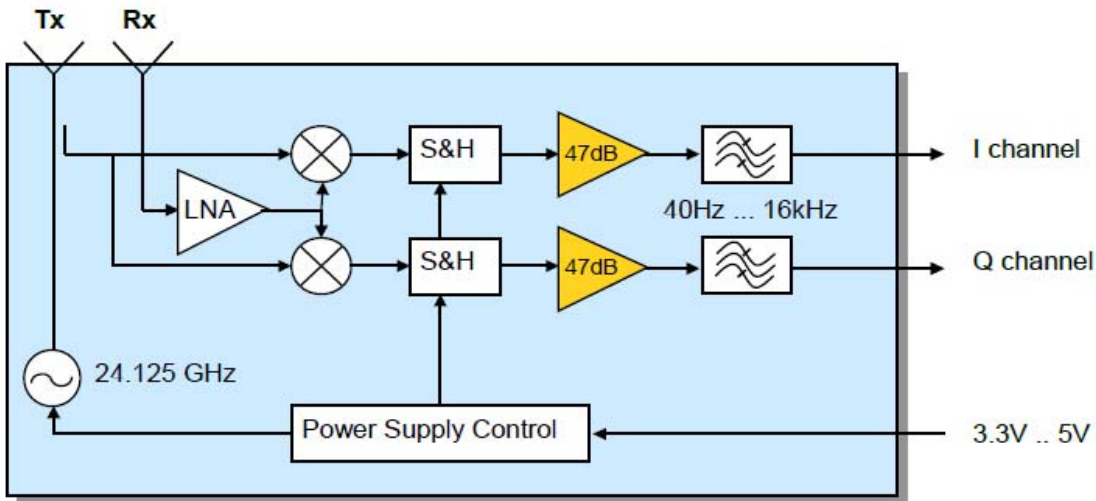


Fig. 1: K-MC1_LP Blockdiagram