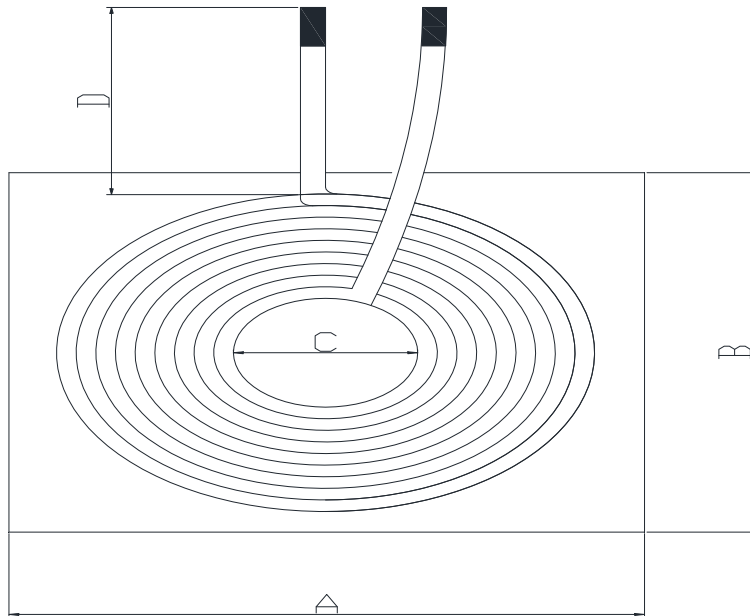


ANTENNA SPECIFICATION

ITEM	ANT SPEC
Antenna plate	Coil Antenna
Frequency Range	110~ 205kHz
MAX. Gain	0 dBi
Modulation	MSK
Impedance	50 Ohm
Manufacture	Shenzhen Qianghe Technology Co., Ltd.



A, B: 50±1MM

C: 20±1MM

D: 30±1MM