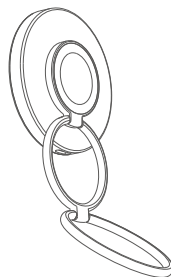




128g双铜单黑印刷

USER MANUAL

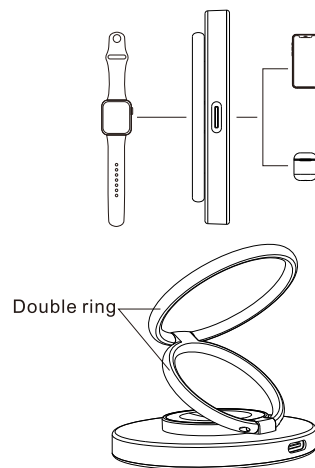
3in1
Double ring
Magnetic wireless charger



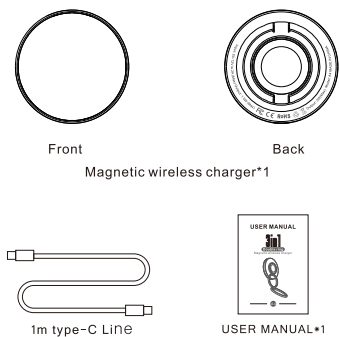
A4

Thanks for choosing Us!

This is a wireless charger for smart phone/iWatch /AirPods, allows you enjoy the fun of digital productseasily. Please read this manual carefully beforeusing the product, and keep properly for checking.



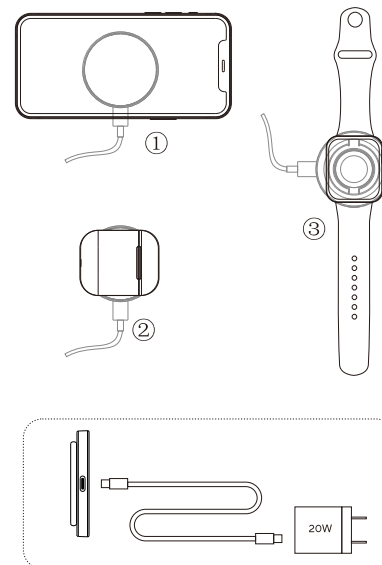
► Standard Accessories



► Specification

Input	DC 5V-12V/2A (Max)
Output	Output 1: 15W(Max) Output 2: 3W(Max)
Wireless Distance	<6mm
Frequency	110-205KHZ
Efficiency	≤85%
Size	60*60*10.3mm

► Usage method



► FCC WARNING

This device complies with part 15 of the FCC Rules. Operation is subject to the following two conditions: (1) this device may not cause harmful interference, and (2) this device must accept any interference received, including interference that may cause undesired operation.

Any changes or modifications not expressly approved by the party responsible for compliance could void the user's authority to operate the equipment.

NOTE: This equipment has been tested and found to comply with the limits for a Class B digital device, pursuant to Part 15 of the FCC Rules. These limits are designed to provide reasonable protection against harmful interference in a residential installation. This equipment generates, uses and can radiate radio frequency energy and, if not installed and used in accordance with the instructions, may cause harmful interference to radio communications.

However, there is no guarantee that interference will not occur in a particular installation. If this equipment does cause harmful interference to radio or television reception, which can be determined by turning the equipment off and on, the user is encouraged to try to correct the interference by one or more of the following measures:

- Reorient or relocate the receiving antenna.
 - Increase the separation between the equipment and receiver.
 - Connect the equipment into an outlet on a circuit different from that to which the receiver is connected.
 - Consult the dealer or an experienced radio/TV technician for help.
- To maintain compliance with FCC's RF Exposure guidelines, This equipment should be installed and operated with minimum 20cm distance between the radiator and your body: Use only the supplied antenna.

Waranty qualification card

NAME

DATE OF PURCHASE

MODEL

SIZE