



深圳市千目通讯科技有限公司

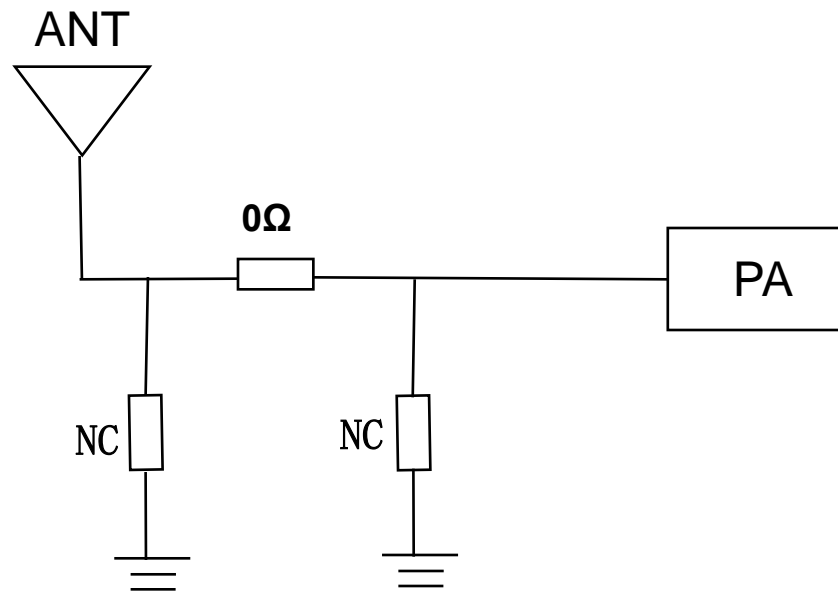
Shenzhen Qianmu Communication Technology Co., Ltd.

Antenna Specification

Address: Shenzhen Baoan District Gucheng Street Huafeng
Zhigu Hangcheng High-tech Industrial Park A2 Block 425



Matching Circuit - Main Antenna





Antenna efficiency and gain :

FEITUKEJI											
Frequency ID	1	3	5	7	9	11	13	15	17	19	21
Frequency (MHz)	2400.0	2410.0	2420.0	2430.0	2440.0	2450.0	2460.0	2470.0	2480.0	2490.0	2500.0
Point Values											
Ant. Port Input Pwr. (dBm)	0.00	0.00	0.00	0.00	0.00	0.00	0.00	0.00	0.00	0.00	0.00
Tot. Rad. Pwr. (dBm)	-5.27	-5.25	-5.19	-4.86	-4.86	-4.64	-4.64	-4.91	-4.83	-4.77	-4.80
Peak EIRP (dBm)	0.70	0.67	0.61	0.78	0.62	0.69	0.49	0.14	0.34	0.62	0.75
Directivity (dBi)	5.97	5.92	5.80	5.63	5.47	5.33	5.12	5.05	5.16	5.39	5.55
Efficiency (dB)	-5.27	-5.25	-5.19	-4.86	-4.86	-4.64	-4.64	-4.91	-4.83	-4.77	-4.80
Efficiency (%)	29.70	29.90	30.20	32.70	32.70	34.40	34.40	32.30	32.90	33.30	33.10
Gain (dBi)	0.60	0.57	0.61	0.58	0.62	0.63	0.49	0.14	0.34	0.62	0.75
NHPRP $\pm\pi/4$ (dBm)	-6.52	-6.51	-6.47	-6.13	-6.13	-5.90	-5.89	-6.15	-6.04	-5.97	-5.98
NHPRP $\pm\pi/6$ (dBm)	-7.98	-7.99	-7.95	-7.61	-7.61	-7.38	-7.37	-7.63	-7.53	-7.46	-7.47
NHPRP $\pm\pi/8$ (dBm)	-9.15	-9.18	-9.14	-8.80	-8.80	-8.56	-8.54	-8.81	-8.71	-8.64	-8.66
Upper Hem. PRP (dBm)	-8.60	-8.55	-8.51	-8.19	-8.19	-8.01	-8.05	-8.39	-8.37	-8.39	-8.44
Lower Hem. PRP (dBm)	-7.99	-7.98	-7.92	-7.57	-7.57	-7.32	-7.28	-7.50	-7.36	-7.25	-7.26
Upper Hem. PRP (%)	13.82	13.96	14.09	15.18	15.17	15.82	15.67	14.49	14.56	14.50	14.33
Lower Hem. PRP (%)	15.90	15.91	16.16	17.50	17.50	18.55	18.72	17.78	18.37	18.84	18.78



Directional Diagram:

2.4G

