

深圳市千目通讯科技有限公司

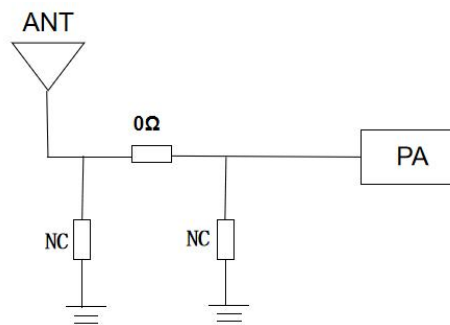
Shenzhen Qianmu Communication Technology Co.,Ltd.

Antenna Specification

Contact Person: Wang Telephone Number: 0755-21633653

Address: No. 425 and 443, 4/F, Block A, Huafeng Zhigu - Hangcheng Hi-Tech Industrial Park, Aviation Road, Sanwei Community, Hangcheng Street, Bao'an District, Shenzhen, China

1、Matching Circuit – Main Antenna



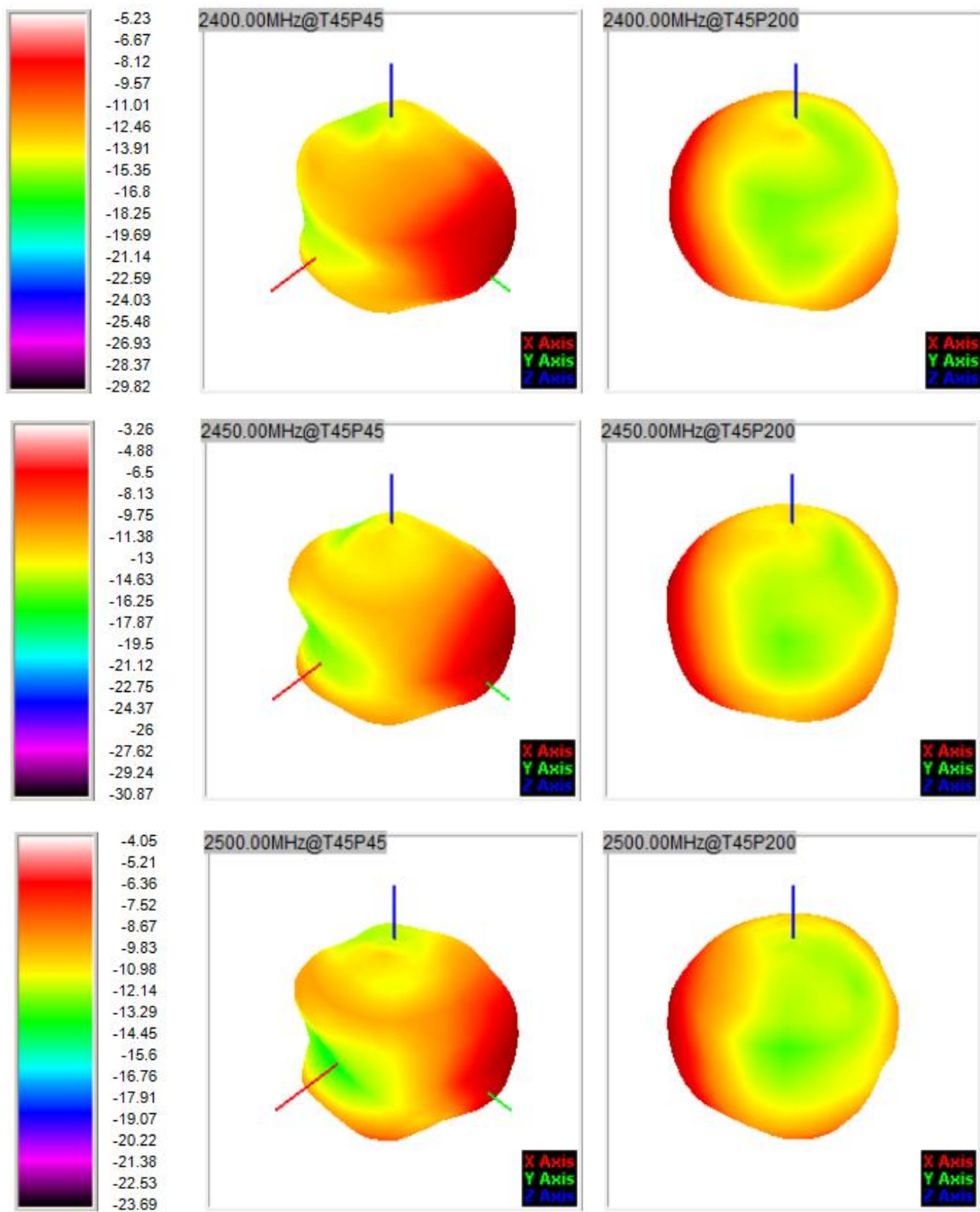
2、Antenna Efficiency and Gain

Frequency ID	1	2	3	4	5	6	7	8	9	10	11
Frequency (MHz)	2400	2410	2420	2430	2440	2450	2460	2470	2480	2490	2500
Ant. Port Input Pw r. (dBm)	0	0	0	0	0	0	0	0	0	0	0
Tot. Rad. Pw r. (dBm)	-11.35	-10.8	-10.29	-9.92	-9.58	-9.27	-9.08	-9.15	-9.37	-9.66	-10.13
Peak EIRP (dBm)	-5.23	-4.66	-4.18	-3.91	-3.72	-3.26	-2.89	-2.92	-3.19	-3.53	-4.05
Directivity (dBi)	6.12	6.14	6.11	6.01	5.86	6.02	6.19	6.23	6.18	6.14	6.08
Efficiency (dB)	-11.35	-10.8	-10.29	-9.92	-9.58	-9.27	-9.08	-9.15	-9.37	-9.66	-10.13
Efficiency (%)	7.3	8.3	9.4	10.2	11	11.8	12.4	12.2	11.6	10.8	9.7
Gain (dBi)	-5.23	-4.66	-4.18	-3.91	-3.72	-3.26	-2.89	-2.92	-3.19	-3.53	-4.05
NHPRP ±P/4 (dBm)	-12.23	-11.69	-11.18	-10.79	-10.43	-10.12	-9.95	-10.07	-10.34	-10.68	-11.18
NHPRP ±P/6 (dBm)	-13.35	-12.8	-12.28	-11.9	-11.55	-11.26	-11.12	-11.26	-11.57	-11.95	-12.47
NHPRP ±P/8 (dBm)	-14.27	-13.7	-13.15	-12.77	-12.43	-12.15	-12.02	-12.19	-12.52	-12.93	-13.49
Upper Hem. PRP (dBm)	-14.18	-13.71	-13.22	-12.88	-12.58	-12.32	-12.22	-12.37	-12.67	-13.02	-13.46
Low er Hem. PRP (dBm)	-14.53	-13.92	-13.38	-12.99	-12.59	-12.24	-11.97	-11.96	-12.11	-12.35	-12.85
Upper Hem. PRP (%)	3.82	4.26	4.76	5.16	5.52	5.86	6	5.8	5.41	4.99	4.51
Low er Hem. PRP (%)	3.52	4.06	4.59	5.03	5.5	5.97	6.35	6.36	6.16	5.82	5.19

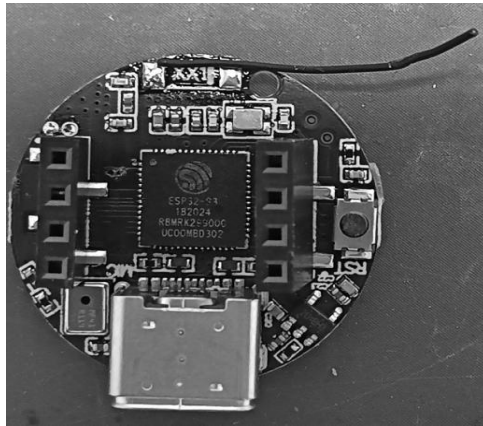
Contact Person: Wang telephone number: 0755-21633653

Address: No. 425 and 443, 4/F, Block A, Huafeng Zhigu - Hangcheng Hi-Tech Industrial Park, Aviation Road, Sanwei Community, Hangcheng Street, Bao'an District, Shenzhen, China

3、Antenna Orientation Diagram



4、Antenna Assembly Instructions



5、engineering graphics

