

TOKQI

HAPPY SELFIE FROM TOKQI



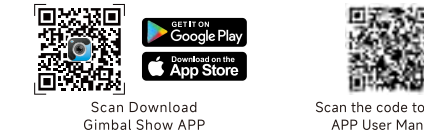
M03

https://www.tokqi.co

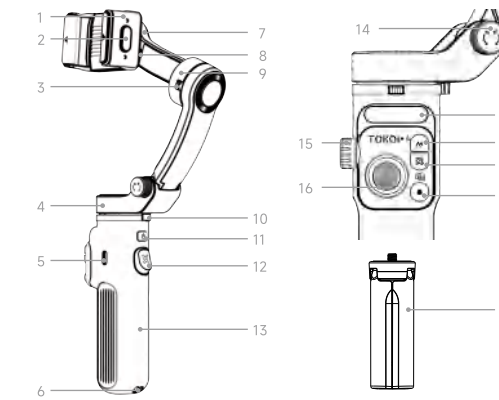
Quick Start Guide EN 1

EN - Quick Start Guide

1. Gimbal Show APP



2. RECOGNIZE M03

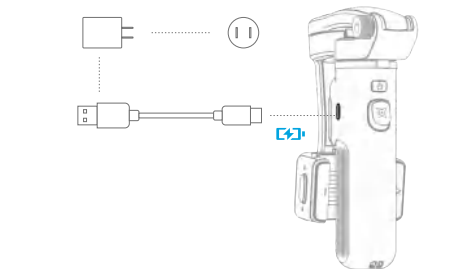


1. Phone holder
2. Accessory positioning seat
3. Pitch axis locking clip
4. Heading axis motor
5. Type-C charging port
6. Hang hole
7. Horizontal roller motor
8. Horizontal roller limit clip
9. Pitch axis motor
10. Heading axis locking clip
11. Stabilizer power button
12. Trigger button
13. Handle
14. Rotary shaft locking knob
15. Zoom/Multiplier control wheel
16. Joystick
17. Indicator lamp
18. M button/Remote control power button
19. Lockout button
20. Camera button
21. Tripod

Quick Start Guide EN 2

3. CHARGING

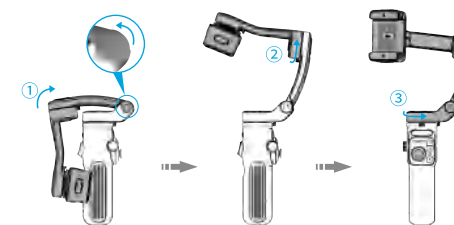
When the battery of M03 is low, the battery indicator light will flashes red. Use the Type-C charging cable in the package to charge it. The battery indicator light of M03 will flash with green while charging, and the battery indicator light will keep on green when it's fully charged.



1. Please fully charge the M03 before use to ensure you can smoothly play it.
2. Please make sure the M03 has been turned off before charging.

4. CLAMP PHONE

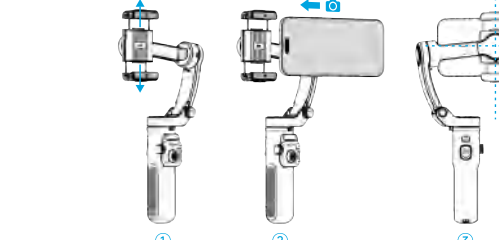
1. Please refer the following step to unfold M03. Contrarotate the locking knob, and release the locking status of the heading axis, pitch axis.



Please refer to the diagram while operating to avoid damaging the device. **(Please make sure the gimbal is fully unlocked before using it to avoid damaging the gimbal motors)**

Quick Start Guide EN 3

2. Clamp the phone into the phone holder. (Pay attention to the installation direction of the phone to avoid blocking the lens.)



1. Make sure the phone is tightly attached to the surface of the phone holder while clamping the phone.
2. Try to ensure that the phone is in the middle of the phone clip in order to achieve optimal performance of the gimbal.

5. STATUS DISPLAY

Display wireless, battery indicator, remote control, mode indicator lamp

Status	Describe
Blue light on	Connected
Blue light flashing	No connection

Status	Describe
Green light on	Fully charged
Green light flashing	Charging
Green light on	60-100% battery
Yellow light on	20-60% battery
Red light flashing	Low power
Red and green lights flash alternately	Pairing
Green light blinks slowly for three seconds	Paired successfully

Status	Describe
Blue light on	Boot status
Blue light blinks twice	Press the key
Blue light blinks twice	Boot and gimbal merge
Red light on	Low power
Red and blue lights flash alternately	Pairing
Blue light blinks slowly for three seconds	Paired successfully

Quick Start Guide EN 4

Mode indicator lamp

Mode light (white light)	Describe
PF light on	Semi-follow: The roll axis and pitch axis will keep balance, and the heading axis follows the subject motion.
AF light on	Full follow: The roll axis will keep balance, and the pitch axis and heading axis will follow the subject motion.
AL light on	Fully locked: All 3-axes remain balanced (suitable for linear motion shooting)
FV light on	POV: First-person perspective
PF+AF light on	Inception space: Inception space, one click into the film.
PF fast blink	Semi-follow Go Mode
AF fast blink	Full follow Go Mode

6. KEY FUNCTION

M button/Remote control power button
Long press: turn on/off
Press once: switch mode PF→AF→AL→FV
Press twice: horizontal/vertical mode switching
Press fifth: pair with gimbal (Thirty seconds wait for pairing command, timeout or success then exit)

Lockout button
Press once: tracking with APP (Effective in APP)
Press twice: make the gimbal returning to the original position
Press three: spinshot
Long press: lock mode
Press once+long press: enter go mode (The torque and speed of motor will reach the maximum. It can follow the user with the highest speed to achieve the best shooting effect.)

Camera button
Press once: photo
Press twice: switch between taking photos and videos (Effective in APP)
Press three: switching between front and rear cameras (Effective in APP)

Joystick
Push the controller up/down/left/right to control the gimbal to rotate.

Quick Start Guide EN 5

Zoom/Multiplier control wheel
Side turning switch
Press once: zoom/manual focus mode switching
Toggle up and down: adjusting the focal length (Some models do not support manual focus)

Stabilizer power button
Long press: turn on/off
Press once: switch mode PF→AF→AL→FV
Press twice: horizontal/vertical mode switching
Press fifth: pair with remote control or AI tracking camera (Thirty seconds wait for pairing command, timeout or success then exit)

Trigger button
Press once: tracking with APP (Effective in APP)
Press twice: make the gimbal returning to the original position
Press three: spinshot
Long press: lock mode
Press once+long press: enter go mode (The torque and speed of motor will reach the maximum. It can follow the user with the highest speed to achieve the best shooting effect.)

1. Some of the above buttons can only be used when the phone is connected to the gimbal and running the "Gimbal Show" APP
2. When the remote control and Stabilizer are separated, they switch on and off individually; when the remote control and Stabilizer are combined, they switch on and off at the same time; And either party can leave the other on when they merge with the power on.

7. APP CONNECTION

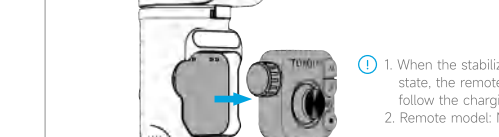
After activating the stabilizer, use your phone to search for "MOX-XXXXX" and match it. Or enter the "Gimbal Show" app to tap the device icon in the top left corner to pair. After successful pairing, the indicator light remains blue and the device icon turns blue.



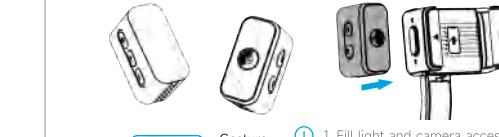
1. Paired with the customized app "Gimbal Show" for M03, you can better utilize the various functions of this stabilizer.
2. Please refer to the latest version of the "Gimbal Show" app. Any updates are subject to change without prior notice.

Quick Start Guide EN 6

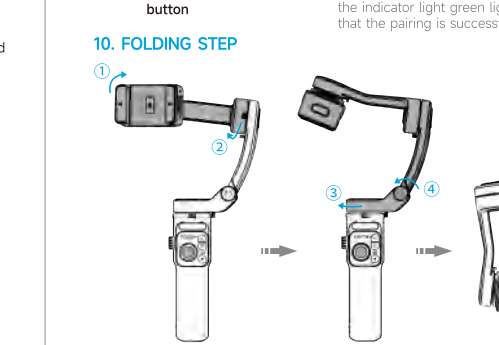
8. MAGNETIC REMOTE CONTROL
When separating the remote control, just pull it out from the groove; when putting it back, align the remote control to the fixed position, close to a certain distance, and then adsorption reset.



9. CAN BE EQUIPPED WITH MAGNETIC FILLING LIGHT AI TRACKING CAMERA
Install the filling light and camera to the positioning season both sides of the stabilizer mobile phone clip.



10. FOLDING STEP



Quick Start Guide EN 7

11. SPECIFICATION PARAMETERS

Stabilizer	
Product size	157x106x65mm(fold)
Product weight	360g
Main materials	PA66
Structure rotation range	
Course: 320°	
Roll: 345°	
Pitch: 320°	
Control rotation angle	
Course: 300°	
Roll: 325°	
Pitch: 80°	
Wireless remote control distance	
Applicable phone width	50-90mm
Applicable phone thickness	≤11mm
Suitable for thick weight of mobile phones	≤280g
Battery capacity	
Battery capacity	3000mAh
Charging current	2A(max)
Working current	320mA(approximate)
Working hours	6h(test reference value under balanced condition)
Tripod	
Product size	32.5x32.5x95mm(fold)
Product weight	40g
Main materials	PA66
Interface	1/4" standard screw

12. SECURITY PROFILE

M03 is relatively precise, and users should have basic hands-on skills and safety knowledge, and need to use it carefully. Please read the instructions for using M03 first and familiarize yourself with the product's functions before using it. Incorrect operation will lead to product damage, property damage and even personal injury. This product is not suitable for children's use. To ensure that you can use M03 correctly and safely, please carefully read the instructions and safety summary before installing, setting up, and using it, and strictly follow the relevant instructions to install and use M03.

WARNING

1. It is strictly prohibited to let the product come into contact with any liquid, and do not immerse the product in water or wet it. Do not use the product in rain or damp environments. After coming into contact with water inside the product, corrosion reactions may occur, causing the battery to self-ignite and may even cause an explosion.
2. If the product catches fire, please immediately use water, mist sand, fire blanket, dry powder, or carbon dioxide fire extinguishers to extinguish the fire. Please choose the fire extinguishing method in the order recommended above based on the actual situation.
3. Please use the product in an environment with a temperature between -10 °C and 45 °C.

Quick Start Guide EN 8

4. It is prohibited to disassemble the product in any way. If the battery is punctured during disassembly, it will lead to electrolyte leakage inside the battery, and even cause a fire or explosion.
5. Mechanical impact, rolling or throwing of products is prohibited. Do not place heavy objects on the product.
6. Do not heat the product. Do not place the product in the microwave oven or pressure cooking.
7. It is prohibited to place products near heat sources (such as stoves or heaters) or in cars on hot days. Do not store the product in an environment exceeding 60°C. The ideal storage environment temperature is 22 °C to 28 °C.
8. Do not store the battery for a long time after it has been completely discharged to prevent it from entering an over-discharged state and causing damage to the battery cell, which will prevent it from being restored to use.

TAKE CARE

1. M03 is a high-precision control device. Falling or being hit by external forces may cause damage to M03, leading to abnormal operation.
2. Make sure the gimbal won't get blocked by any external force when M03 is turned on.
3. M03 is not waterproof. Do not allow M03 to come into contact with any liquid or any liquid with any cleaning function. It is recommended to use a soft dry cloth to clean M03.
4. Please prevent M03 from dust and sand while using it.

ATTENTION

1. Please turn off M03 before charging it. And disconnected the device and the charger after fully charged.
2. If the product is not used for more than 10 days, please discharge the battery to 40%-65% of its capacity for storage, which can extend the battery's service life.
3. Recharge and discharge every 3 months to maintain battery activity.

Quick Start Guide EN 9

FCC STATEMENT

This device complies with Part 15 of the FCC Rules. Operation is subject to the following two conditions: (1) This device may not cause harmful interference, and (2) this device must accept any interference received, including interference that may cause undesired operation. Changes or modifications to this unit not expressly approved by the party responsible for compliance could void the user's authority to operate the equipment. NOTE: This equipment has been tested and found to comply with the limits for a Class B digital device, pursuant to Part 15 of the FCC Rules. These limits are designed to provide reasonable protection against harmful interference in a residential installation. This equipment generates, uses and can radiate radio frequency energy and, if not installed and used in accordance with the instructions, may cause harmful interference to radio communications. However, there is no guarantee that interference will not occur in a particular installation. If this equipment does cause harmful interference to radio or television reception, which can be determined by turning the equipment off and on, the user is encouraged to try to correct the interference by one or more of the following measures:

- Reorient or relocate the receiving antenna.
- Increase the separation between the equipment and receiver.
- Connect the equipment into an outlet on a circuit different from that to which the receiver is connected.
- Consult the dealer or an experienced radio/TV technician for help.

RF Exposure Statement

This device and its antenna(s) must not be co-located or operation in conjunction with any other antenna or transmitter. Radiation Exposure Statement: This device has been evaluated to meet general RF exposure requirement in portable exposure condition without restriction.

Product Model: M02 PMN: Remote control

ISED STATEMENT

English: This device contains licence-exempt transmitter(s)/receiver(s) that comply with Innovation, Science and Economic Development Canada's licence-exempt RSS(s). Operation is subject to the following two conditions: (1) This device may not cause interference. (2) This device must accept any interference, including interference that may cause undesired operation of the device.

French: Cet appareil contient des émetteurs/récepteurs exempts de licence qui sont conformes aux RSS exemptés de licence d'Innovation, Sciences et Développement économique Canada. L'exploitation est soumise aux deux conditions suivantes: (1) Cet appareil ne doit pas provoquer d'interférences. (2) Cet appareil doit accepter toute interférence, y compris les interférences susceptibles de provoquer un fonctionnement indésirable de l'appareil.

Quick Start Guide EN 10

Quick Start Guide

This device meets the exemption from the routine evaluation limits in section 2.5 of RSS 102 and compliance with RSS 102 RF exposure, users can obtain Canadian information on RF exposure and compliance. cet appareil est conforme à l'exemption des limites d'évaluation courante dans la section 2.5 du cr - 102 et conforme avec rrs 102 de l'exposition aux rf, les utilisateurs peuvent obtenir des données canadiennes sur l'exposition aux champs if et la conformité.

This equipment complies with Canada radiation exposure limits set forth for an uncontrolled environment. Cet équipement est conforme aux limites d'exposition aux rayonnements du Canada établies pour un environnement non contrôlé.

The device has been evaluated to meet general RF exposure requirement. This equipment should be installed and operated with minimum distance 0mm between the radiator & your body. L'appareil a été évalué pour répondre aux exigences générales d'exposition aux RF. Cet équipement doit être installé et utilisé avec une distance minimale de 0 mm entre le radiateur et votre corps.

This device and its antenna(s) must not be co-located or operation in conjunction with any other antenna or transmitter. Radiation Exposure Statement: This device has been evaluated to meet general RF exposure requirement in portable exposure condition without restriction.

Product Model: M02 PMN: Remote control

ISED STATEMENT

English: This device contains licence-exempt transmitter(s)/receiver(s) that comply with Innovation, Science and Economic Development Canada's licence-exempt RSS(s). Operation is subject to the following two conditions: (1) This device may not cause interference. (2) This device must accept any interference, including interference that may cause undesired operation of the device.

French: Cet appareil contient des émetteurs/récepteurs exempts de licence qui sont conformes aux RSS exemptés de licence d'Innovation, Sciences et Développement économique Canada. L'exploitation est soumise aux deux conditions suivantes: (1) Cet appareil ne doit pas provoquer d'interférences. (2) Cet appareil doit accepter toute interférence, y compris les interférences susceptibles de provoquer un fonctionnement indésirable de l'appareil.