

i-box
Dusk

**Radio Alarm Clock
with Wireless Charging**



EN Introduction

The Dusk is a stylish combined bedside radio alarm clock and Bluetooth speaker. What's special about the Dusk is that you can not only control it using the buttons on the front but also by using the i-box Connect app. With the i-box Connect app, control and set up is so much faster, easier and more precise. Additional features include:

- 10 white noise and natural soundtracks which you can play, combine and mix using the app,
- FM radio with 20 presets which you can control, store and recall using the app.
- Dual alarms which can be set for any day or days of the week
- Wireless charging panel for Qi-enabled devices and a USB charging port



EN Caring for your Radio Alarm Clock

Do not place naked flame sources, such as lighted candles on or near the Dusk.

Keep away from dripping or splashed liquids.

The unit should not be exposed to direct sunlight, very high or low temperatures, moisture, strong magnetic fields high frequencies and dusty environments.

Always leave sufficient space around the unit for ventilation.

Do not use abrasives, thinner or other solvents to clean the unit. To clean, wipe with a clean soft cloth.

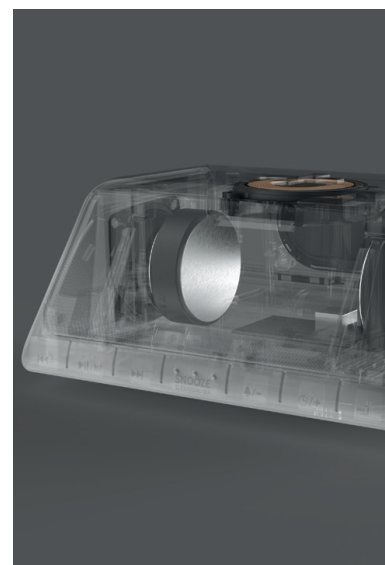
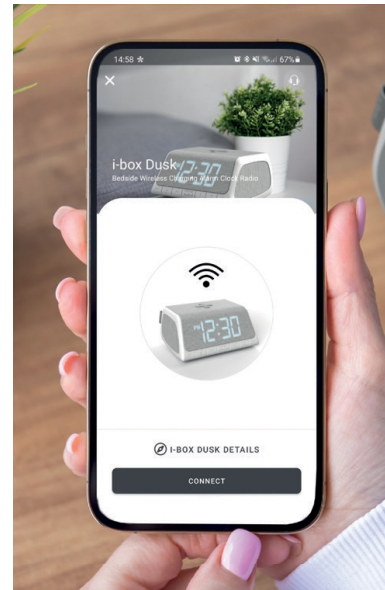
Never attempt to insert wires, pins or other such objects into the vents or opening of the unit.

Do not disassemble or modify the unit, there are no user serviceable parts.

If the radio is damaged or malfunctions do not use. Consult a qualified service engineer.

This product contains a Lithium coin cell battery keep the battery away from children. The battery could be harmful if swallowed. Seek immediate medical advice if you believe a battery has been swallowed.

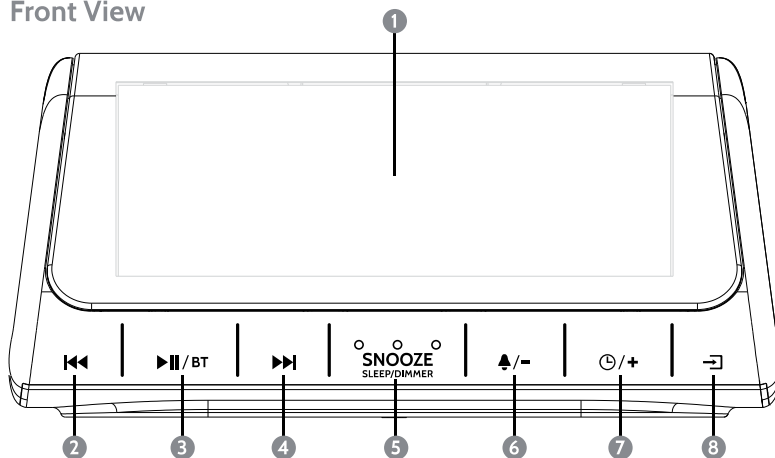
Do not dispose of this product with household waste at the end of its life cycle; take it to a designated collection centre for the recycling of electrical and electronic appliances with batteries. Please check with your Local Authority for recycling advice.



Contents	Page
Safety information.....	3
Controls & features	4
Operating using the App.....	5
Powering your Radio Alarm Clock.....	6
Wireless Connection Pairing	6
Clock and Calendar Setting	6
Alarm Setting.....	7
FM Radio Mode	7-8
Wireless Connection Mode	8
Nature Sounds Mode	9
Screen Dimmer and Sleep Timer	9
Wireless Charging.....	9
USB Charging.....	9
Specifications	10
Troubleshooting.....	10
Technical Support.....	10

Controls & Features

Front View



Help

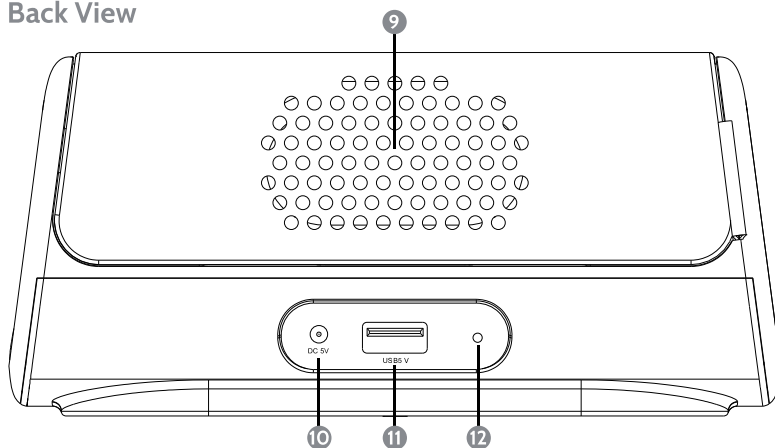
 Short Press

 Long Press

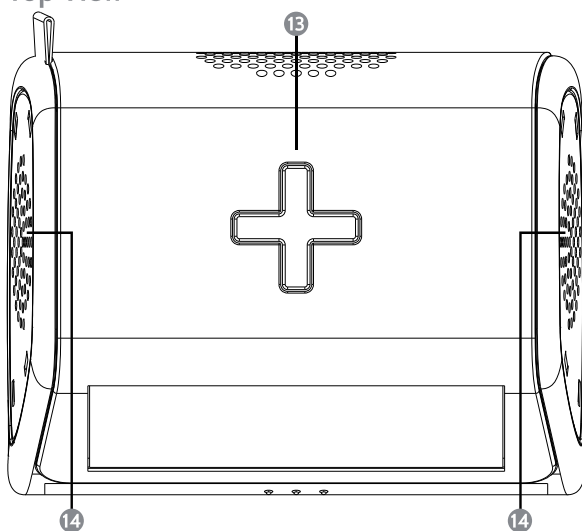
Controls & Features

1. LED Display
2. Previous / Tune Down
3. Play / Pause / Preset / Enter
4. Next / Tune Up
5. Snooze / Sleep / Dimmer
6. Volume down / Alarm set
7. Volume up / Clock Key
8. Standby (long press) / Mode Select / Alarm Off (FM / BT / nature sound)
9. Bass Reflector
10. DC Power Socket
11. USB Charging Port
12. Wire Antenna
13. Wireless Charging Pad
14. Speakers
15. Backup Battery Compartment

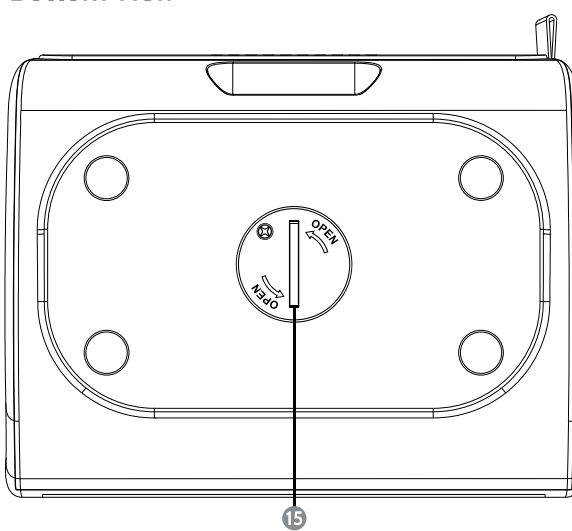
Back View



Top View



Bottom View



Operating Dusk using App

The Dusk is compatible with the 'i-box connect' application available for download on iOS and Android phones.

We strongly recommend that you download and use the app for setup and control of your i-box Dusk.

Time: Setting the time is automatic using the app.

Alarms: Setting the alarms is simpler and faster and offers more options.

Radio: Tune the radio and save your favourite stations to for instant recall.

White Noise Machine: Play single or multiple white noise and natural soundtracks and mix them to create your own unique combinations.

Downloading and Installing the App

Search for the 'i-box Connect' application on the Apple 'App Store' or on the 'Google Play' store.

Or using a smart phone scan the appropriate QR code Apple or Android printed on the insert card you will find in the gift box and click on the pop up link which will take you to the store page. Ensure you are scanning the correct QR code for the device being used.



Once the app has been downloaded and installed, open the app.

Signing Up and Signing In



1. Sign up using your personal details to create an account if you don't already own an account.

Note: A confirmation email will be sent to the email address you provided to verify the account.

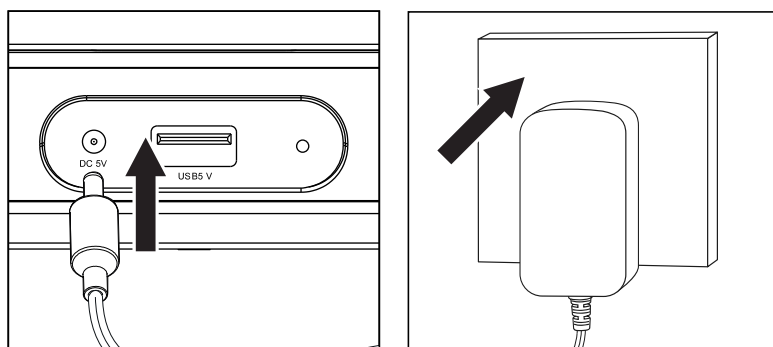
2. After verifying the account, use your personal details to sign in.

3. Before connecting the app to your i-box Dusk, make sure the Dusk is connected using the Wireless Connection Mode. See opposite.

From the app you will be able to control many of the functions of the Dusk. Any changes made using the app will automatically be updated on the alarm clock. Enter any available menu to make any desired changes.

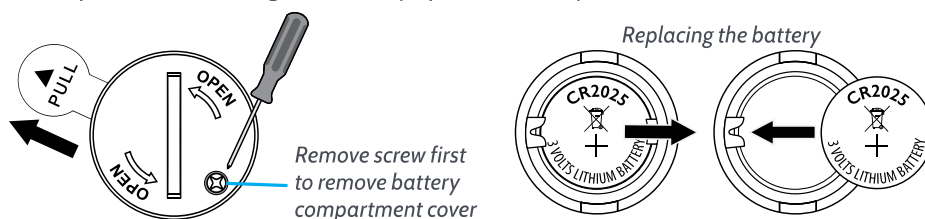
Powering your Radio Alarm Clock

To power the i-box Dusk alarm clock, plug the power adaptor (supplied) into a wall socket and the jack plug into the DC In port on the back of the Dusk (10).



Battery Backup Installation

1 x CR-2025 battery is installed in the battery compartment (15) to provide a backup power supply. If the mains supply is disconnected or interrupted this backup power supply ensures that the time and alarm settings are saved but does not power any other functions (e.g. Radio or display). Remove the plastic tab as shown below to activate the battery.



Wireless Connection Mode

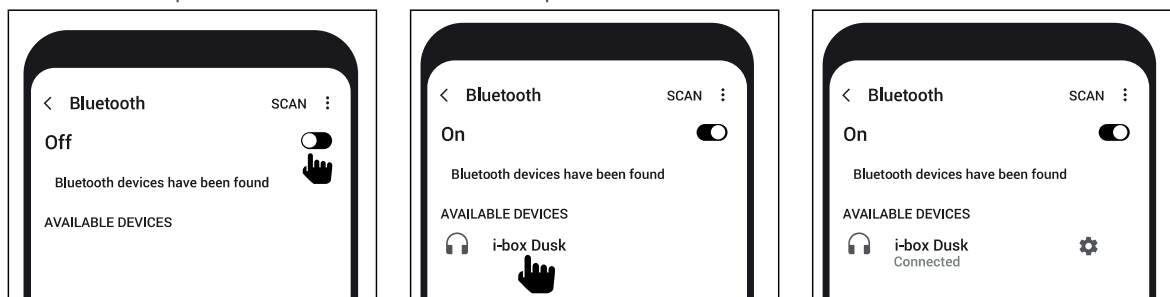
The Dusk has a Wireless playback mode, press the Mode Select key (8) to enter Wireless mode, if no device is connected, the radio will automatically enter pairing mode.



The 'BT' icon will flash to indicate that it is in pairing mode.

Wireless Pairing Mode

To connect a compatible Bluetooth device, follow the steps below.

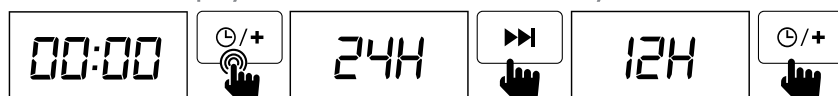


To disconnect the currently connected device, long press the ►|| key (3).

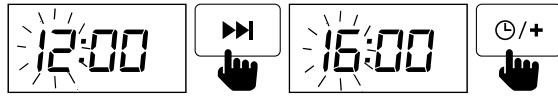
Setting the Clock and Calendar

The first time you power up your i-box Dusk it will start up in Stanby Mode and the display will show 00:00 long press the clock key to start setting the time and calendar.

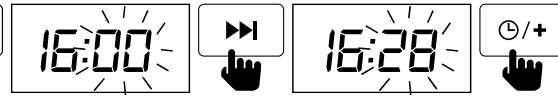
Set the Time Display Format - 24 hour clock (military time) or 12 hour (AM/PM)



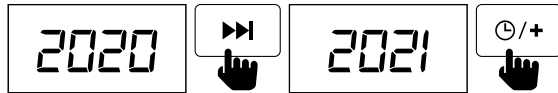
Set the Hour



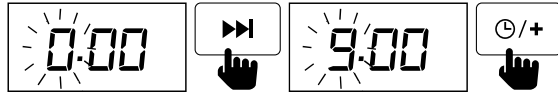
Set the Minute



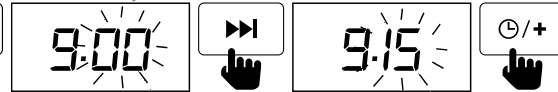
Set the Date



Set the Month



Set the Day



Standby Mode and Mode Select

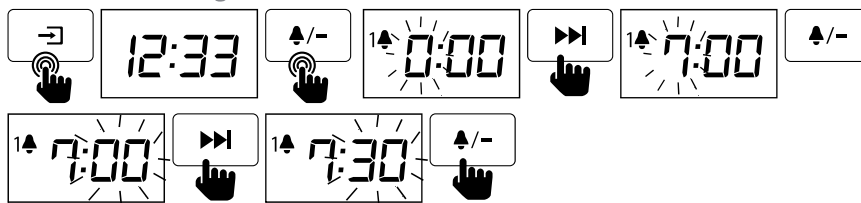
In Standby mode Short press the Mode/Standby Key \rightarrow (8) to switch ON in the last mode played, Short press repeatedly to select from FM Radio/Bluetooth/Natural Sound modes, long press the Standby Key \rightarrow (8) to return to standby mode.



Alarm Setting - In Standby Mode

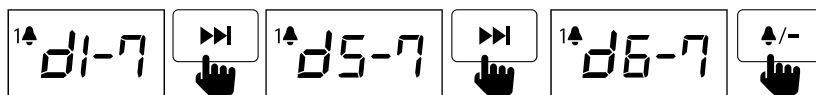
To set an alarm, you need to be in Standby Mode long press the Standby key (8) to enter standby mode. Long press the Alarm set key (6) to enter alarm set mode.

Alarm Time Setting



Alarm Frequency

Select which days the alarm will sound. Choose from Daily: d1-7 / Weekday: d1-5 / Weekend: d6-7



Alarm Source

Select the sound source for when the alarm sounds. Choose from 'bP' - Beeps, last listened to FM station e.g. '98.2' or one of the nature sounds 'n01-n10'.

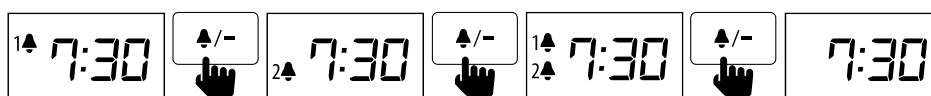


Setting Second Alarm

To set a secondary alarm, repeat the steps above. If only one alarm is desired, long press the Mode Select key (8) to exit the alarm set mode.

Activating/Deactivating Alarm

In Standby Mode, short press the Alarm Set key (6) to cycle through the alarm set options.



Alarm 1

Alarm 2

Alarm 1&2

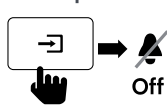
No Alarm

Stopping/Snoozing Alarm

Snooze

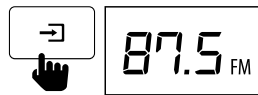


Stop



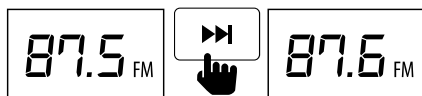
FM Radio Mode

Press the Mode button to switch to FM radio mode, the display will show 'FM' then will display the frequency of the radio station.



Manual Tune

Use the ◀◀ or ▶▶ keys (2 or 4) to manually adjust the frequency to find the desired radio station.



Automatic Search

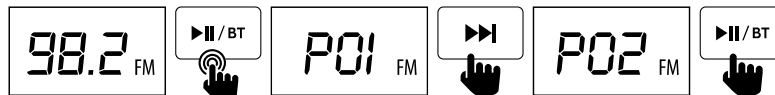
Long press the ◀◀ or ▶▶ keys (5 or 7) to automatically scan to the next available FM Radio station.



Presets

Saving a station to Preset slot

Save your favourite stations to one of the 20 available preset slots.



Recalling a station from a Preset slot

Save your favourite stations to one of the 20 available preset slots.



Wireless Playback Mode

For Wireless Connection Mode, see page 6.

Use the Vol – or Vol + keys (6 or 7) to adjust the volume. Also you can the connected device to adjust the volume.

Use the ◀◀ or ▶▶ keys (2 or 4) to change the song playing. Or use the connected device.

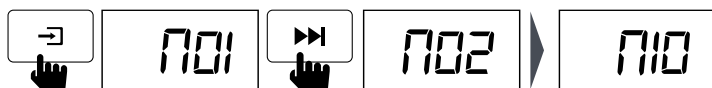
Press the ▶|| key (6) to play or pause the playing song. Or use the connected device.



To disconnect the currently connected device, long press the ▶|| key (6).

White Noise/Natural Soundtrack Mode

Press the Mode button to switch to Natural Soundtracks, the display will show 'N 01'. Use the ◀◀ or ▶▶ keys (2 or 4) to select one of the 10 soundtracks available.



Screen Dimmer Mode

To adjust the brightness of the display Short press the Snooze/Sleep/Dimmer key (5) cycle through the screen display brightness settings. There are 6 brightness levels to choose from including off.



Sleep Timer Mode

In one of the three audio modes, a sleep timer can be set to automatically put the device into standby mode after a selected time. Choose from 120, 90, 60, 40, 30, 20, 10 and Off.



After a few seconds, the screen will return to the time display and the sleep timer will be set.

A small Z^z icon will appear under the time on the display, indicating that the sleep timer is active. To see how long is left on the timer, long press the snooze key (5).



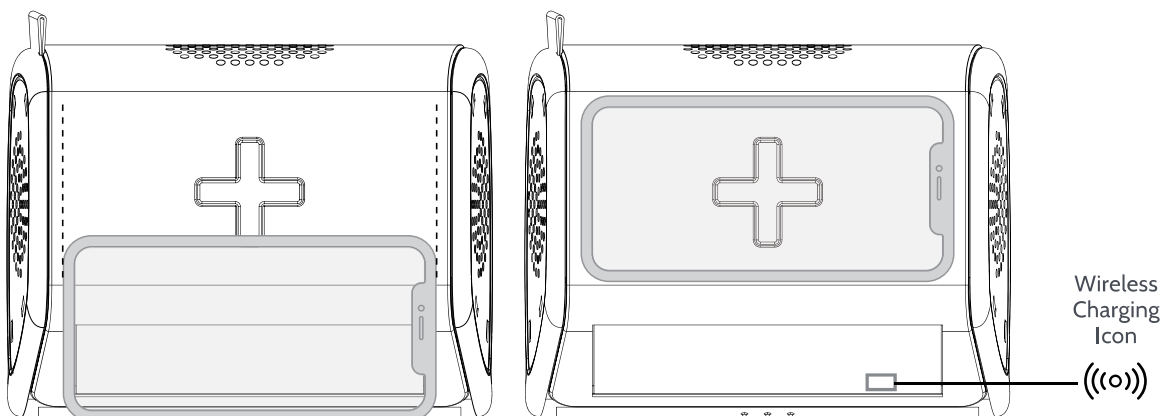
To deactivate the sleep timer, repeatedly press the snooze key (5) until OFF is displayed.

Wireless Charging

If your phone has Qi wireless charging capability you can use the charging panel on the top of the Dusk to charge it. Please Note: Wireless charging is likely to interfere with radio reception therefore we advise you not to try listening to FM radio during charging.

1. Centre your smartphone on the cross in the middle of the charging panel (1).
2. The ((Ⓞ)) wireless charging icon will be displayed in the bottom right corner of the LCD panel while your phone is charging and the battery charge status can be seen on your phone's display.

Please Note: Your phone will not charge when the Dusk is in backup mode (not being powered by the power adapter).



USB Power Output

You can also charge a phone or other device via the USB charging port (cable not included).

Specifications	
Power Input	5V=3.5A
Audio Output	2 x 3W RMS
FM Frequency	87.5-108MHz
USB charging port	5V=1A
Bluetooth Version	5.0
Battery Backup	CR2025

Troubleshooting

Problem	Solutions
Radio reception is poor	Check that the antenna is extended for the maximum signal strength and improved reception. Adjust the antenna direction to improve the signal. Move the radio closer to a window. Check that the radio is not close to microwaves, fluorescent lights or other equipment which may cause interference.
No sound	Check if the volume is turned down. Increase the volume. Check that the radio is switched on. Try tuning to another radio station.
The alarm clock does not turn on	Check power supply connections. Check mains socket is switched on.
After a power cut, time and alarm settings don't reset	No backup battery fitted - Insert CR2025 battery Backup battery incorrectly fitted - insert properly see diagram
Wireless charging not working	Normally your smartphone should be centred on the charging pad as shown. However some phones may need to be placed slightly off centre. As the built-in wireless receiver may not be centred inside the phone. This varies by brand/model. Remove your smartphone from its case if the thickness of the case exceeds 5mm or if it contains metal. The charging time varies depending on the charging capacity of the battery and its current residual capacity. The components may heat up during the charging process. They will slowly cool down again after the charging process.

Disclaimer

Updates to Firmware and/or hardware components are made regularly. Therefore some of the instructions, specifications and pictures in this documentation may differ slightly from your particular situation. All items described in this guide are for illustration purposes only and may not apply to your particular situation. No legal right or entitlements may be obtained from the description made in this manual.

Declaration of conformity

Hereby, Philex Electronic Ltd. declares that the radio equipment: model i-box Dusk, for wireless reception in domestic premises is in compliance with the Radio Equipment Directive 2014/53/EU. The full text of the EU declaration of conformity is available at the following internet address: www.philex.com/doc

Technical support


For further help, advice, information or live chat visit www.iboxstyle.com



Waste electrical and electronic products should not be disposed of with household waste. Please recycle where facilities exist. Check with your Local Authority for recycling advice.



ErP/EuP directive No. (EU) 2019(1782) Power Supply

Manufacturer/Address	Philex Electronic Ltd. Kingfisher Wharf, London Road, Bedford, United Kingdom. Registration No. 339123	
Model identifier	AK12WA-0500200VW, AK12WA-0500200VU, AK12WA-0500200BW, AK12WA-0500200BU	
EN		
Input voltage	100-240V	
Input AC frequency	50/60Hz	
Output voltage	5VDC	
Output current	3.5A	
Output power	17.5W	
Average active efficiency	80.12%	
Efficiency at low load (10 %)	83.01%	
No-load power consumption	0.061W	

FCC Statement

This equipment has been tested and found to comply with the limits for a Class B digital device, pursuant to part 15 of the FCC Rules. These limits are designed to provide reasonable protection against harmful interference in a residential installation. This equipment generates, uses and can radiate radio frequency energy and, if not installed and used in accordance with the instructions, may cause harmful interference to radio communications. However, there is no guarantee that interference will not occur in a particular installation. If this equipment does cause harmful interference to radio or television reception, which can be determined by turning the equipment off and on, the user is encouraged to try to correct the interference by one or more of the following measures:

- Reorient or relocate the receiving antenna.
- Increase the separation between the equipment and receiver.
- Connect the equipment into an outlet on a circuit different from that to which the receiver is connected.
- Consult the dealer or an experienced radio/TV technician for help.

Caution: Any changes or modifications to this device not explicitly approved by manufacturer could void your authority to operate this equipment.

This device complies with part 15 of the FCC Rules. Operation is subject to the following two conditions: (1) This device may not cause harmful interference, and (2) this device must accept any interference received, including interference that may cause undesired operation.

RF Exposure Information

This equipment complies with FCC radiation exposure limits set forth for an uncontrolled environment. This transmitter must not be co-located or operating in conjunction with any other antenna or transmitter. During the operation of device a distance of 15 cm surrounding the device and 20 cm above the top surface of the device must be respected.

This equipment should be installed and operated with minimum distance 20cm between the radiator and your body.



UK Distributor:
Philex Electronic Ltd.,
Kingfisher Wharf,
London Road,
Bedford,
MK42 ONX,
United Kingdom.

EU Distributor:
Philex Electronic Ireland Ltd.,
Robwyn House,
Corrintra,
Castleblayney,
Co. Monaghan
A75 YX76, Ireland.