

i-box
Dawn

Alarm clock with Wireless Charging with Bluetooth
FS-018



Introduction

The i-box Dawn combines a traditional bedside alarm clock radio with Bluetooth and a wireless charging pad in a neat stylish solution.

Rest your phone on top to charge it while you are sleeping.





Caring for your Speaker

Important Safety Information

Important - Please read these instructions fully before installing or operating your speaker.

Keep away from flame sources such as lighted candles.

Do not expose to dripping or splashed fluids. Objects filled with liquids, such as vases, must not be placed close to the speaker.

The unit should not be exposed to direct sunlight, very high or low temperature, moisture, vibrations, strong magnetic fields, high frequencies and dusty environments.

Do not place the product in enclosed bookcases or racks without proper ventilation. Ventilation should not be impeded by covering the ventilation openings with items, such as newspapers, table-cloths, curtains, etc.

Never attempt to insert wires, pins or other such objects into the vents or openings of the unit.

Do not disassemble or modify the alarm clock, there are no user serviceable parts.

If the alarm clock is damaged in anyway or malfunctions do not use. Consult a qualified service engineer.

Do not use abrasives, benzene, thinner or other solvents to clean the surface of the unit. To clean, wipe with clean soft cloth and a mild detergent solution.

Do not dispose of this product with household waste at the end of its life cycle; hand it over to a collection centre for the recycling of electrical and electronic appliances.



Contents

1. Safety information	
Safety information	2-3
2. Getting to know your wireless charging alarm clock	
Box contents	5
Control & features	6-7
3. Getting started	
Setting the clock	8
Setting the alarm(s)	8
Enabling/Disabling the alarm	8
Snoozing the alarm(s)	8
Controlling the dimmer	8
Bluetooth connection	9
Bluetooth operation	9
FM Radio operation	9
FM Radio memory	9
Sleep mode	10
Wireless charging	10
USB Charging	11
4. Other Information	
Specifications	12
Disclaimer	12
Declaration of conformity	12
Technical support	12



Box Contents



i-box Dawn Bedside alarm
clock with wireless charging



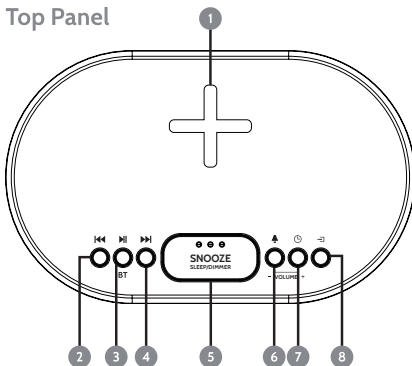
DC power adaptor

Getting to know your speaker

Before you get started please be sure to read through the safety information on pages 2-3.

Now lets have a quick look at some of the important bits.

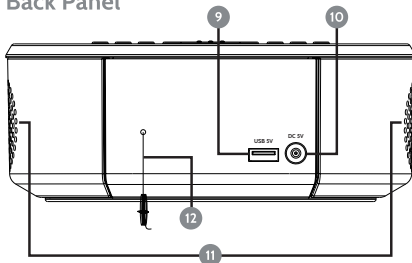
Top Panel



Controls & Features

1. Wireless charging location
2. Previous song/ Down button
3. Play/Pause
4. Next song/Up button
5. Snooze/Sleep/Dimmer
6. Volume down/ Alarm set
7. Volume up/Clock Key
8. Stand by mode/ Function key

Back Panel

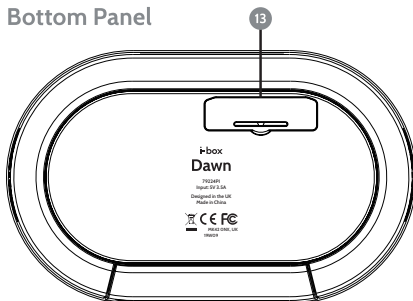


Controls & Features

9. USB Charging port
10. DC adaptor jack
11. Speakers
12. Wire Antenna

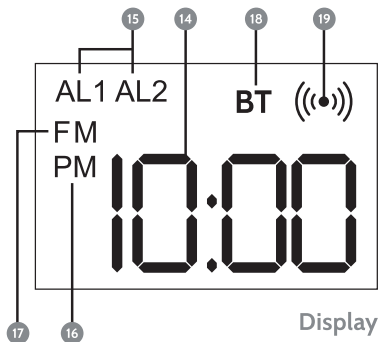
Getting to know your speaker

Bottom Panel



Controls & Features

13. Back up battery door



Controls & Features

- 14. Time display
- 15. Alarm indicators
- 16. PM Indicator
- 17. FM Indicator
- 18. Bluetooth Indicator
- 19. Wireless charging indicator

Clock setting

1. Plug in the DC 5V adaptor, the unit will display the default time 0:00
2. Press and hold ⏸ (7) for 1-2 seconds, the display will then show 24hr
3. Press ⏮ (2) or ⏭ (4) to switch between 24hr and 12hr time
4. Press ⏸ (7) again to set the hour
5. Press ⏮ (2) or ⏭ (4) to change the hour
6. Press ⏸ (7) to set the minute(s)
7. Press ⏮ (2) or ⏭ (4) to change the minute(s)
8. Press ⏸ (7) to finish once the time has been set

Alarm setting

1. In standby mode (or clock mode), press and hold 🔔 (6) for 3 seconds, the unit will then allow you to set the first alarm
2. Press ⏮ (2) or ⏭ (4) to select the AL1 hour
3. Press 🔔 (6) and ⏮/⏭ (2/4) to select the AL1 minute(s)
4. Press 🔔 (6) and ⏮/⏭ (2/4) again to select the AL1 source (beep or FM)
5. Press 🔔 (6) and ⏮/⏭ (2/4) to select the AL2 hour
6. Press 🔔 (6) and ⏮/⏭ (2/4) to select the AL2 minute(s)
7. Press 🔔 (6) and ⏮/⏭ (2/4) again to select the AL2 source (beep or FM)
8. Press 🔔 (6) again once the alarm(s) has been set to exit

Alarm enable/disable

1. In standby mode, press 🔔 (6) to enable the alarm
2. The alarm will cycle through: AL1 / AL2 / AL1 and AL2 / off

Stop & Snooze alarm

When the alarm sounds, press 🛑 (5, Snooze) to delay the alarm for 9 minutes. Press 🔔 (6) to turn off the alarm.

Dimmer

Press 🛑 (5, Snooze) to select the brightness of the display

Bluetooth connecting & disconnecting

1. Press ⇄ (8) to cycle through the modes until you get to Bluetooth mode.

- Once in Bluetooth mode the display will flash while searching for the last connected device
2. If the most recent connected device can not be found, the i-box Dawn will search for previous devices
 3. Select i-box Dawn from the Bluetooth list on your device to start pairing
 4. Once pairing is successful, the Bluetooth display will stop flashing and a beep will sound
 5. Press **⏏/BT** (3) for 3 seconds to disconnect your device from the i-box Dawn. A beep will sound to confirm the device has been disconnected successfully. The i-box Dawn will now be in pairing mode again, allowing you to pair a new device
 6. Long press **⏏** (8) to return to clock mode when you are finished

Bluetooth play operation

- Press **+/-** (6/7) to increase or decrease the volume level (0-15)
- Press **⏮** (2) to play the previous song or press **⏭** (4) to select the next song
- Press **⏏/BT** (3) to play or pause the song

FM radio operation

1. Press **⏏** (8) to cycle through the modes until you get to FM radio mode
2. Press **⏮** (2) or **⏭** (4) to change the FM station
3. Press and hold **⏮** (2) or **⏭** (4) to search for the next FM station automatically
4. Press **+/-** (6/7) to increase or decrease the volume level
5. Long press **⏏** (8) to return to clock mode when you are finished

FM radio memory

There are 10 preset spaces available for you to store your favourite stations.

1. Press **⏮** (2) or **⏭** (4) to select the FM station you would like to store
2. Press and hold **⏏/BT** (3) to bring up the preset menu
3. Press **⏮** (2) or **⏭** (4) to cycle through the 10 preset spaces available
4. Press **⏏/BT** (3) once you have selected the preset space for your chosen FM station to save the preset
5. Press **⏏/BT** (3) to access the stored presets
6. To access your saved preset, press **⏮** (2) or **⏭** (4) until you get to your chosen preset then wait 5 seconds for the FM station to start playing.

Sleep mode

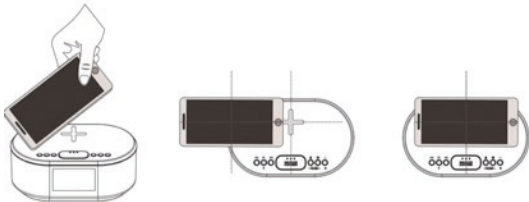
Sleep Mode lets you fall asleep while listening to Bluetooth or FM music for the set sleep duration then turns the music off. In FM radio or Bluetooth mode, press and hold **SNOOZE** (5, Snooze) for 2 seconds. The i-box Dawn will display the sleep timer. Press **SNOOZE** (5, Snooze) to cycle through the sleep time options. The available options are: 120 mins / 90 mins / 60 mins / 30 mins / 15 mins / 10 mins / 5 mins / sleep timer off.

Charging your phone

You can charge your phone wirelessly or by using the available USB charging port on the back of the i-box Dawn. Please do not use both charging methods at the same time for one device (charging cable not included).

Wireless charging

1. Place your smartphone centrally on top of the i-box Dawn as shown
2. The battery power of your device is shown via your devices display



- When the phone is being charged wirelessly, the wireless charging indicator (19) will light up on the display
- For maximum charging efficiency, the phone must be aligned with the centre of the charging area (1)
- Phones that are capable of wireless charging may need to be placed slightly off centre. The built-in wireless receiver may not be centred inside the phone. This varies by brand/model

There may be interference to the radio reception if using wireless charging at the same time.

If problems occur when charging or if charging does not start

- Remove your smartphone from its case if the thickness of the case exceeds 5mm or if it consists of metal
- Check if your smartphone is placed on top of the i-box Dawn correctly as shown
- The charging time varies depending on the charging capacity of the battery and its current residual capacity
- The components may heat up during the charging process. They will slowly cool down again after the charging process

USB charging port

1. Connect an external device via a USB cable to the USB charging port (9) on the back of the i-box Dawn to charge the device
2. The battery power of your device is shown via your devices display
 - There may be some radio interference while charging
 - Please charge your device using only one charging method at any one time
 - Please do not charge the same device using the wireless charging function and USB charging port (9) at the same time

Backup batteries

The i-box Dawn has a backup battery feature where 2x AAA batteries (not included) will allow it to remember the time set and alarms in case of unplugging or power cuts.

FCC Warning Statement

Changes or modifications not expressly approved by the party responsible for compliance could void the user's authority to operate the equipment. This equipment has been tested and found to comply with the limits for a Class B digital device, pursuant to Part 15 of the FCC Rules. These limits are designed to provide reasonable protection against harmful interference in a residential installation. This equipment generates uses and can radiate radio frequency energy and, if not installed and used in accordance with the instructions, may cause harmful interference to radio communications. However, there is no guarantee that interference will not occur in a particular installation. If this equipment does cause harmful interference to radio or television reception, which can be determined by turning the equipment off and on, the user is encouraged to try to correct the interference by one or more of the following measures:

- - Reorient or relocate the receiving antenna.
- - Increase the separation between the equipment and receiver.
- - Connect the equipment into an outlet on a circuit different from that to which the receiver is connected.
- - Consult the dealer or an experienced radio/TV technician for help.

This device complies with part 15 of the FCC Rules. Operation is subject to the following two conditions: (1) This device may not cause harmful interference, and (2) this device must accept any interference received, including interference that may cause undesired operation.

RF Exposure Statement

To maintain compliance with FCC's RF Exposure guidelines, This equipment should be installed and operated with minimum distance of 20cm the radiator your body. This device and its antenna(s) must not be co-located or operation in conjunction with any other antenna or transmitter

Specifications

Power Input: 5V 3.5A

USB Output: 1A

Speaker Output: 6 Watt RMS

Disclaimer

Updates to Firmware and/or hardware components are made regularly. Therefore some of the instructions, specifications and pictures in this documentation may differ slightly from your particular situation. All items described in this guide are for illustration purposes only and may not apply to your particular situation. No legal right or entitlements may be obtained from the description made in this manual.

Declaration of conformity

Hereby, Philex Electronic Ltd. declares that the radio equipment: model Dawn Bedside Alarm Clock with Wireless Charging for radio broadcast reception in domestic premises is in compliance with the Radio Equipment Directive 2014/53/EU. The full text of the EU declaration of conformity is available at the following internet address: www.philex.com/doc

Technical support

For further help, advice, information or live chat visit www.iboxstyle.com



Waste electrical and electronic products should not be disposed of with household waste. Please recycle where facilities exist. Check with your Local Authority for recycling advice.

