



TOPFLYtech TLW2-2BL Asset GPS Tracker

User Manual

20210826

Thanks for your purchasing of the high-quality GPS tracker from TOPFLYtech. Please read this user manual carefully before installation and operation. Information in this manual is the property of TOPFLYtech. Changes to the specifications and features in this manual may be made by TOPFLYtech without prior notice. No part of this manual could be reproduced, copied, translated, transmitted, or published in any form or by any means without TOPFLYtech's prior written permission.



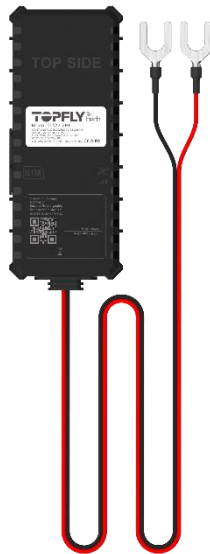
TLW2-2BL

The tracker is using GNSS & LTE technologies and could collect device coordinates then transfer them via LTE network to the server. It provides customer with cost-effective, efficient and safety management. It has been widely used in commercial transportation, company vehicle fleet management, intelligent transportation, logistics, car rental, engineering machinery, marine transportation, and other segments.

Contents

| | |
|---|----------|
| 1. QUICK REFERENCE | 4 |
| 2. PRODUCT SPECIFICATIONS | 4 |
| 3. STANDARD ACCESSORIES INTRODUCTION | 6 |
| 4. LED INDICATOR AND SIM CARD SLOT | 6 |
| 5. WIRE DEFINITION | 6 |
| 6. INSTALLATION GUIDE | 7 |
| 6.1 SIM CARD PRE-INSTALLATION NOTE | 7 |
| 6.2 SIM CARD INSTALLATION..... | 7 |
| 6.3 INSTALLATION | 7 |
| 7. QUICK TROUBLE SHOOTING | 7 |
| 7.1 UNABLE TO CONNECT TO THE TRACKING PLATFORM..... | 7 |
| 7.2 TRACKER SHOWS OFFLINE..... | 7 |
| 7.3 UNABLE TO LOCATE..... | 7 |
| 7.4 LOCATION DRIFT..... | 7 |
| 7.5 NO COMMAND REPLY | 7 |
| 8. WARRANTY AND STOCK | 8 |
| 9. OPTIONAL ACCESSORIES LIST | 8 |
| 10. FCC WARNING | 8 |
| 11. ISEDC WARNING | 9 |

1. Quick Reference



⚠ FOTA (firmware over the air) Notification

TOPFLYtech is committed to providing clients with the best user experience. We are offering automatic firmware update feature for every device. This feature allows devices always having the latest version firmware. It can save clients the time and effort of updating firmware manually. Please note that this feature is enabled in default. If you want to turn it off, please contact with TOPFLYtech. If this feature is disabled, the fw update only can be done by sending upgrade command manually.

2. Product Specifications

| Network Specifications | |
|------------------------|---|
| Frequency Range | BLE: 2402-2480MHz(1M/2M) |
| Data Transmission | NB1: Max. 32Kbps (DL), Max. 70Kbps (UL) NB2: Max. 127 (DL), Max. 158.5 (UL) EDGE: Max. 296Kbps (DL), Max. 236.8Kbps (UL) GPRS: Max. 107Kbps (DL), Max. 85.6Kbps (UL) |
| GNSS Specifications | |
| GNSS Chipset | MediaTek High Gain GNSS receiver |

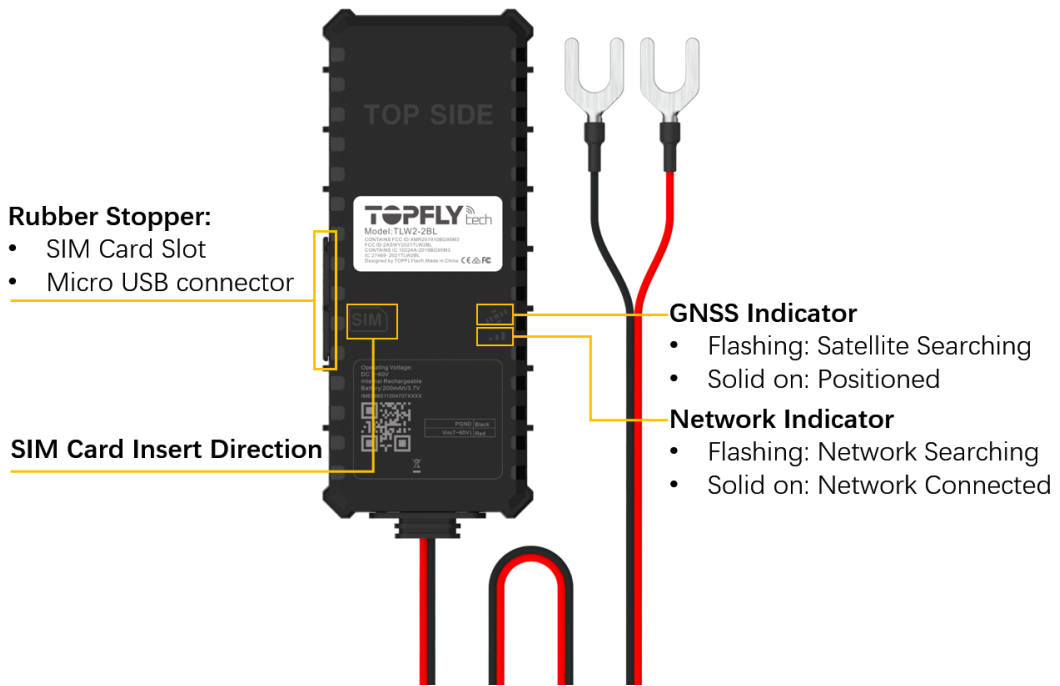
| | |
|--|---|
| Parallel GNSS | GPS+Glonass or GPS+Beidou |
| Receiver type: | 33 tracking / 99 acquisitions- channel GNSS receiver |
| Sensitivity | Acquisition: -149 dBm Tracking: -167 dBm Reacquisition: -161 dBm |
| Horizontal Position Accuracy | Autonomous: < 2.5 m CEP |
| TTFF @ -130 dBm with (without) EASY™ | Cold Start: < 15s (32s) Warm Start: < 8s (28s) Hot Start: < 1s (1s) |
| Interfaces | |
| Network, GNSS Antenna | Internal only |
| Indicator LED | Network and GNSS |
| FOTA | Yes |
| Temperature Sensor | 1 temperature sensor |
| BLE 5.0 | Yes |
| Tracker Configuring | Micro USB connector |
| General Specifications | |
| Waterproof | IP65 |
| Dimensions | 120mm*42mm*12mm (4.72" *1.65" *0.47") |
| Weight | 49g (1.73oz) |
| Battery | Li-Polymer 200 mAh/ 3.7V |
| Operating Voltage | 7V to 60V DC |
| Operating Temperature | -25°C ~ +70°C (-13°F ~ 158°F) |
| Storage Temperature | -40°C ~ +85°C (-40°F ~ 185°F) |
| Air Interface Protocol | |
| Transmit Protocol | TCP, UDP, MQTT, SMS |
| Protocol Check & Encryption Support | MD5/ AES256 |
| BLE Accessory Support | Yes |
| Scheduled Timing/angle/distance Report | Report position and status at preset intervals |
| External Power Status Alarm | Report when external power is disconnected |
| Low Power Alarm | Report when backup battery is low |
| Speeding Alarm | Report when speed exceed the pre-set value |
| Towing Alarm | From internal 6-axis accelerometer |
| Remote Control | Remote output control |
| Network Signal Jamming Detection | Report network jamming |
| Data Roaming Control | Avoid additional data consumption |
| Driving Behavior Monitoring | Aggressive driving behavior detection, e.g., harsh braking and acceleration |
| Crash Detection | Accident data collection for reconstruction and analysis |

3. Standard Accessories Introduction



Sponge Double-side Adhesive Tape

4. LED indicator and SIM card Slot



Note: Indicator lights will go out automatically after the tracker turns on for 8 mins.

5. Wire Definition

Operating Voltage:
DC 7~60V
Internal Rechargeable
Battery:200mAh/3.7V
IMEI:86011204707XXXX

| | |
|------------|-------|
| PGND | Black |
| Vin(7~60V) | Red |

6. Installation Guide

6.1 SIM Card Pre-Installation Note

- 6.1.1 SIM card data service should be enabled.
- 6.1.2 If SIM card is locked via PIN, please unlock it first.
- 6.1.3 Ensure there is sufficient balance in the SIM card.

6.2 SIM card installation

- 6.2.1 Open the rubber stopper on the side
- 6.2.2 Insert the SIM card by following the direction icon on the tracker cover
- 6.2.3 Give a little push to the SIM card. When there is a “click” sound, it stands for the SIM card has been successfully inserted

6.3 Installation

- 6.3.1 Away from emission source such as all kinds of sensors, burglar alarm and other communication devices.

7. Quick Trouble Shooting

7.1 Unable to Connect to the Tracking Platform

- 7.1.1 Check the APN and IP settings.
- 7.1.2 Check the SIM card whether support specific network and the data service whether is enabled.
- 7.1.3 Make sure there is no limitation or already added server IP to the IP whitelist when using a M2M SIM card.
- 7.1.4 Check the remaining balance or network signal of the SIM card.

7.2 Tracker Shows Offline

- 7.2.1 Check the external power voltage to see whether the tracker is disconnected from external power.
- 7.2.2 Check whether the vehicle entered network blind area.
- 7.2.3 Check the balance of tracker SIM card.
- 7.2.4 If the connection lost happens on the last several days of the month, check whether the network service is terminated by carrier because of exceeding the max data usage volume.

7.3 Unable to locate

- 7.3.1 Is the top side (with TOP SIDE logo on) facing upwards without shielded by metallic things during the installation?
- 7.3.2 Does the vehicle enter an area with no satellite coverage?

7.4 Location Drift

In an area with poor GNSS signal (like the areas with lots of high buildings), location drift may happen. When move to open area, the drift will no longer exists.

7.5 No Command Reply

- 7.5.1 Check the command format. Make sure it's correct.

- 7.5.2 Vehicle may be in network blind area.
- 7.5.3 Ensure the SIM card is properly inserted.

8. Warranty and Stock

The standard warranty period is 12 months starting from the date of purchasing. If the tracker will be stored for a long time, please connect it to the external power and recharge the internal battery (10 hours) every 3 months. It will be helpful to the internal battery life.

9. Optional Accessories List

| | | |
|---------|--|---|
| TA12 | BLE Tag |  |
| TA20 | External TPS Set (BLE) |  |
| TA22 | Internal TPS Set (BLE) |  |
| TSTH1-B | BLE 5.0 Wireless Temperature & Humidity Sensor |  |
| TSDT1-B | BLE 5.0 Wireless Door & Temperature Sensor |  |
| TSR1-B | BLE 5.0 Wireless Relay |  |

10. FCC Warning

This equipment has been tested and found to comply with the limits for a Class B digital device, pursuant to part 15 of the FCC Rules. These limits are designed to provide reasonable protection against harmful interference in a residential installation. This equipment generates, uses, and can radiate radio frequency energy and, if not installed and used in accordance with the instructions, may cause harmful interference to radio communications. However, there is no guarantee that interference will not occur in a particular installation. If this equipment does

cause harmful interference to radio or television reception, which can be determined by turning the equipment off and on, the user is encouraged to try to correct the interference by one or more of the following measures:

- Reorient or relocate the receiving antenna.
- Increase the separation between the equipment and receiver.
- Connect the equipment into an outlet on a circuit different from that to which the receiver is connected.
- Consult the dealer or an experienced radio/TV technician for help.

This device complies with Part 15 of the FCC Rules. Operation is subject to the following two conditions:

- (1) this device may not cause harmful interference, and
- (2) this device must accept any interference received, including interference that may cause undesired operation

Caution!

Any changes or modifications not expressly approved by the party responsible for compliance could void the user's authority to operate the equipment.

IMPORTANT NOTICE:

FCC Radiation Exposure Statement

This equipment complies with FCC radiation exposure limits set forth for an uncontrolled environment. This equipment should be installed and operated with minimum distance 20 cm between the radiator and your body.

11. ISEDC Warning

This device complies with Innovation, Science, and Economic Development Canada licence-exempt RSS standard(s). Operation is subject to the following two conditions:

- (1) this device may not cause interference, and
- (2) this device must accept any interference, including interference that may cause undesired operation of the device.

Le présent appareil est conforme aux CNR d' Innovation, Sciences et Développement économique Canada applicables aux appareils radio exempts de licence. L'exploitation est autorisée aux deux conditions suivantes :

- (1) l'appareil ne doit pas produire de brouillage, et
- (2) l'utilisateur de l'appareil doit accepter tout brouillage radioélectrique subi, même si le brouillage est susceptible d'en compromettre le fonctionnement.

The device is compliance with RF exposure guidelines, users can obtain Canadian information on RF exposure and compliance. The minimum distance from body to use the device is 20cm.

Le présent appareil est conforme Après examen de ce matériel aux conformité ou aux limites d'intensité de champ RF, les utilisateurs peuvent sur l'exposition aux radiofréquences et la

conformité and compliance d'acquérir les informations correspondantes. La distance minimale du corps à utiliser le dispositif est de 20cm.