

TEST REPORT

For FCC Part15B



Report No.: **CHTW24010059** Report verification:
Project No.: **SHT2401001702W**
FCC ID.....: **2ASWW-GT50**
Applicant's name.....: **XINCHUANGXIN INTERNATIONAL CO. LTD**
Address.....: **ROOM 605 6/F, FA YUEN COMMERCIAL BUILDING, 75-77 FA YUEN STREET MONGKOK KL**
Product Name: **Feature phone**
Trade Mark: **CORN**
Model No.: **GT50**
Listed Model(s): **-**
Standard: **FCC CFR Title 47 Part 15 Subpart B**
Date of receipt of test sample.....: **Jan. 03, 2024**
Date of testing.....: **Jan. 04, 2024- Jan. 19, 2024**
Date of issue.....: **Jan. 23, 2024**
Result.....: **Pass**

Compiled by
(position+printed name+signature)....: **File administrators Xiaodong Zhao** *Xiaodong Zhao*
Supervised by
(position+printed name+signature)....: **Project Engineer Xiaodong Zhao** *Xiaodong Zhao*
Approved by
(position+printed name+signature)....: **Manager Xu Yang** *Xu Yang*

Testing Laboratory Name: **Shenzhen Huatongwei International Inspection Co., Ltd.**
Address.....: **Building 7, Baiwang Idea Factory, No.1051, Songbai Road, Yangguang Community, Xili Subdistrict, Nanshan District, Shenzhen, Guangdong, China**

Shenzhen Huatongwei International Inspection Co., Ltd. All rights reserved.

This publication may be reproduced in whole or in part for non-commercial purposes as long as the Shenzhen Huatongwei International Inspection Co., Ltd. is acknowledged as copyright owner and source of the material. Shenzhen Huatongwei International Inspection Co., Ltd. takes no responsibility for and will not assume liability for damages resulting from the reader's interpretation of the reproduced material due to its placement and context.

The test report merely corresponds to the test sample.

Contents

| | | |
|-----------|---|------------------|
| 1. | <u>TEST STANDARDS AND REPORT VERSION</u> | <u>3</u> |
| 1.1. | Test Standards | 3 |
| 1.2. | Report version information | 3 |
| 2. | <u>TEST DESCRIPTION</u> | <u>4</u> |
| 3. | <u>SUMMARY.....</u> | <u>5</u> |
| 3.1. | Client Information | 5 |
| 3.2. | Product Description | 5 |
| 3.3. | Testing Laboratory Information | 6 |
| 4. | <u>TEST CONFIGURATION.....</u> | <u>7</u> |
| 4.1. | Descriptions of test mode | 7 |
| 4.2. | Configuration of Tested System | 7 |
| 4.3. | Support unit used in test configuration | 8 |
| 4.4. | Environmental conditions | 8 |
| 4.5. | Statement of the measurement uncertainty | 8 |
| 4.6. | Equipments Used during the Test | 9 |
| 5. | <u>TEST CONDITIONS AND RESULTS</u> | <u>10</u> |
| 5.1. | Conducted Emissions | 10 |
| 5.2. | Radiated Emissions | 13 |
| 6. | <u>TEST SETUP PHOTOS OF THE EUT</u> | <u>17</u> |
| 7. | <u>EXTERNAL AND INTERNAL PHOTOS OF THE EUT</u> | <u>18</u> |

1. TEST STANDARDS AND REPORT VERSION

1.1. Test Standards

The tests were performed according to following standards:

[FCC CFR Title 47 Part 15 Subpart B](#) - Unintentional Radiators

[ANSI C63.4: 2014](#) – American National Standard for Methods of Measurement of Radio-Noise Emissions from Low-Voltage Electrical and Electronic Equipment in the Range of 9 kHz to 40GHz

1.2. Report version information

| Revision No. | Date of issue | Description |
|--------------|---------------|-------------|
| N/A | 2024-01-23 | Original |
| | | |
| | | |
| | | |
| | | |

2. TEST DESCRIPTION

| Section | Test Item | Section in CFR 47 | Result #1 | Test Engineer |
|---------|---------------------|-------------------|-----------|---------------|
| 5.1 | Conducted Emissions | 15.107(a) | PASS | Junman Wang |
| 5.2 | Radiated Emissions | 15.109(a) | PASS | Yifan Wang |

Note:

#1: The test result does not include measurement uncertainty value

3. SUMMARY

3.1. Client Information

| | |
|---------------|---|
| Applicant: | XINCHUANGXIN INTERNATIONAL CO. LTD |
| Address: | ROOM 605 6/F, FA YUEN COMMERCIAL BUILDING, 75-77 FA YUEN STREET MONGKOK KL |
| Manufacturer: | Shenzhen Chiteng Technology Co.,LTD |
| Address: | Second Floor,Area A, Building 4, Huiye Technology Workshop, Guanguang Road, Tangjia Community, Gongming Street, Guangming New District, Shenzhen, Guangdong |

3.2. Product Description

| Main unit information: | |
|-----------------------------|---|
| Product Name: | Feature phone |
| Trade Mark: | CORN |
| Model No.: | GT50 |
| Listed Model(s): | - |
| Power supply: | DC 3.7V from Li-ion Battery |
| Hardware version: | ZS621TF_MB_V1.0 |
| Software version: | ZS621TF_48X128_240320_B28403TF_GT50_4G_CORN_EnFrPoSp_V01 |
| Accessory unit information: | |
| Battery information: | BL-19A Voltage: 3.7V Capacity: 1800mAh 3.7V Li-ion BATTERY 6.66Wh |
| Adapter information: | Input: AC100-240Vac 50/60Hz 150mA Output: DC 5.2V, 500mA |

3.3. Testing Laboratory Information

| | | |
|----------------------|---|----------------------|
| Laboratory Name | Shenzhen Huatongwei International Inspection Co., Ltd. | |
| Laboratory Location | Building 7, Baiwang Idea Factory, No.1051, Songbai Road, Yangguang Community, Xili Subdistrict, Nanshan District, Shenzhen, Guangdong, China | |
| Contact information: | Tel: 86-755-26715499 E-mail: cs@szhtw.com.cn http://www.szhtw.com.cn | |
| Qualifications: | Type | Accreditation Number |
| | FCC Registration Number | 762235 |
| | FCC Designation Number | CN1181 |

4. TEST CONFIGURATION

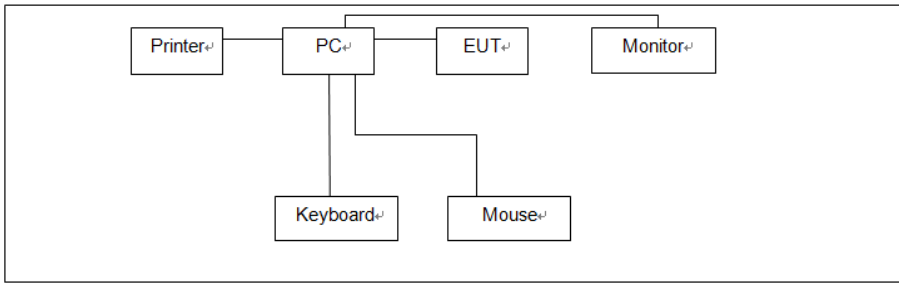
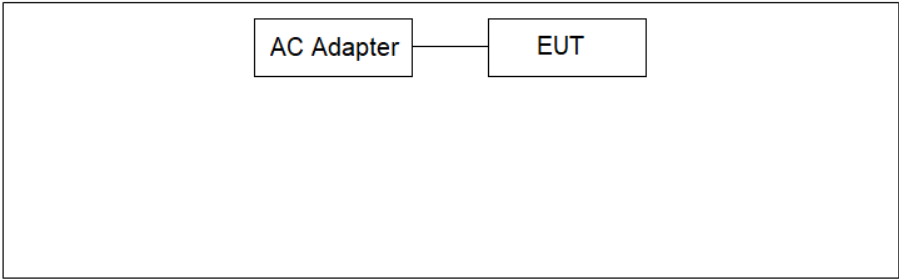
4.1. Descriptions of test mode

| Test mode | Description |
|-----------------------|--|
| Camera recording mode | Keep the EUT in Camera recording status |
| Video Playing mode | Keep the EUT in Video Playing status |
| Data exchange mode | Keep the EUT in Data exchange with PC status |

Pre-scan above all test mode, found below test mode which it was worse case mode, so only show the test data for worse case mode on the test report

| Test Item | Test mode for worse case |
|---------------------|--------------------------|
| Conducted Emissions | Camera recording mode |
| Radiated Emissions | Data exchange mode |

4.2. Configuration of Tested System

| Test mode | Configuration |
|--------------------|---|
| Data exchange mode |  <pre> graph TD PC[PC] --- Printer[Printer] PC --- EUT[EUT] PC --- Monitor[Monitor] PC --- Keyboard[Keyboard] PC --- Mouse[Mouse] </pre> |
| Other modes |  <pre> graph LR AC[AC Adapter] --- EUT[EUT] </pre> |

4.3. Support unit used in test configuration

The EUT has been associated with peripherals and configuration operated in a manner tended to maximize its emission characteristics in a typical application.

The following peripheral devices and interface cables were connected during the measurement:

| Whether support unit is used? | | | |
|-------------------------------|-----------|------------|------------------|
| ✓ Yes | | | |
| Item | Equipment | Trade Name | Model No. |
| 1 | PC | DELL | OptiPlex 3020 MT |
| 2 | Monitor | DELL | E1912Hf |
| 3 | Keyboard | DELL | SK8115 |
| 4 | Mouse | DELL | MS111-T |
| 5 | Printer | EPSON | L101 |

4.4. Environmental conditions

During the measurement the environmental conditions were within the listed ranges:

| | |
|--------------------|-------------|
| Temperature: | 15~35°C |
| Relative Humidity: | 30~60 % |
| Air Pressure: | 950~1050mba |

4.5. Statement of the measurement uncertainty

| No. | Test Items | Measurement Uncertainty |
|-----|-----------------------|--|
| 1 | AC Conducted Emission | 3.21dB |
| 2 | Radiated Emission | 4.54dB for 30MHz-1GHz 5.10dB for above 1GHz |

This uncertainty represents an expanded uncertainty expressed at approximately the 95% confidence level using a coverage factor of k=1.96.

4.6. Equipments Used during the Test

| ● Conducted Emission | | | | | | | |
|----------------------|--------------------|--------------|---------------|-----------------|------------|---------------------------|---------------------------|
| Used | Test Equipment | Manufacturer | Equipment No. | Model No. | Serial No. | Last Cal. Date (YY-MM-DD) | Next Cal. Date (YY-MM-DD) |
| ● | EMI Test Receiver | R&S | HTWE0111 | ESCI | 101247 | 2023/8/22 | 2024/8/21 |
| ● | Artificial Mains | SCHWARZBECK | HTWE0113 | NNLK 8121 | 573 | 2023/8/18 | 2024/8/17 |
| ● | Protection Network | SCHWARZBECK | HTWE0567 | VTSD9561FN | 00899 | 2023/8/18 | 2024/8/17 |
| ● | ISN | FCC | HTWE0148 | FCC-TLISN-T2-02 | 20371 | 2023/8/18 | 2024/8/17 |
| ● | ISN | FCC | HTWE0150 | FCC-TLISN-T8-02 | 20375 | 2023/8/18 | 2024/8/17 |
| ● | Test Software | R&S | N/A | EMC32 | N/A | N/A | N/A |

| ● Radiated Emission - 30MHz~1GHz | | | | | | | |
|----------------------------------|-------------------------|--------------------|---------------|-----------|------------|---------------------------|---------------------------|
| Used | Test Equipment | Manufacturer | Equipment No. | Model No. | Serial No. | Last Cal. Date (YY-MM-DD) | Next Cal. Date (YY-MM-DD) |
| ● | Semi-Anechoic Chamber | Albatross projects | HTWE0127 | SAC-3m-02 | C11121 | 2023/4/6 | 2026/4/5 |
| ● | EMI Test Receiver | R&S | HTWE0099 | ESCI 7 | 100900 | 2023/8/22 | 2024/8/21 |
| ● | Ultra-Broadband Antenna | SCHWARZBECK | HTWE0119 | VULB9163 | 546 | 2023/2/22 | 2026/2/21 |
| ● | Pre-Amplifier | SCHWARZBECK | HTWE0295 | BBV 9742 | / | 2023/5/25 | 2024/5/24 |
| ● | Test Software | R&S | N/A | EMC32 | N/A | N/A | N/A |

| ● Radiated emission-Above 1GHz | | | | | | | |
|--------------------------------|-------------------------|--------------------|---------------|------------|-------------|---------------------------|---------------------------|
| Used | Test Equipment | Manufacturer | Equipment No. | Model No. | Serial No. | Last Cal. Date (YY-MM-DD) | Next Cal. Date (YY-MM-DD) |
| ● | Semi-Anechoic Chamber | Albatross projects | HTWE0122 | SAC-3m-01 | C11121 | 2023/4/17 | 2026/4/16 |
| ● | Spectrum Analyzer | R&S | HTWE0098 | FSP40 | 100597 | 2023/8/22 | 2024/8/21 |
| ● | Horn Antenna | SCHWARZBECK | HTWE0126 | BBHA 9120D | 1011 | 2023/2/14 | 2026/2/13 |
| ● | Horn Antenna | SCHWARZBECK | HTWE0103 | BBHA9170 | BBHA9170472 | 2023/2/20 | 2026/2/19 |
| ● | Broadband Pre-amplifier | SCHWARZBECK | HTWE0201 | BBV 9718 | 9718-248 | 2023/5/25 | 2024/5/24 |
| ● | Test Software | R&S | N/A | EMC32 | N/A | N/A | N/A |

5. TEST CONDITIONS AND RESULTS

5.1. Conducted Emissions

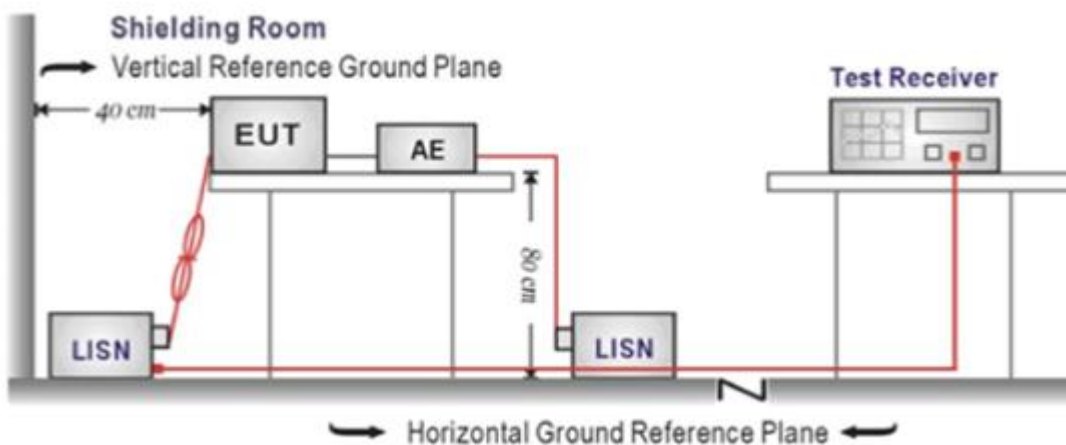
LIMIT

FCC CFR Title 47 Part 15 Subpart B Section 15.107:

| Frequency range (MHz) | Limit (dBuV) | |
|-----------------------|--------------|-----------|
| | Quasi-peak | Average |
| 0.15-0.5 | 66 to 56* | 56 to 46* |
| 0.5-5 | 56 | 46 |
| 5-30 | 60 | 50 |

* Decreases with the logarithm of the frequency.

TEST CONFIGURATION



TEST PROCEDURE

1. The EUT was setup according to ANSI C63.4:2014
2. The EUT was placed on a plat form of nominal size, 1 m by 1.5 m, raised 80 cm above the conducting ground plane. The vertical conducting plane was located 40 cm to the rear of the EUT. All other surfaces of EUT were at least 80 cm from any other grounded conducting surface.
3. The EUT and simulators are connected to the main power through a line impedance stabilization network (LISN). The LISN provides a 50ohm / 50uH coupling impedance for the measuring equipment.
4. The peripheral devices are also connected to the main power through a LISN. (Please refer to the block diagram of the test setup and photographs)
5. Each current-carrying conductor of the EUT power cord, except the ground (safety) conductor, was individually connected through a LISN to the input power source.
6. The excess length of the power cord between the EUT and the LISN receptacle were folded back and forth at the center of the lead to form a bundle not exceeding 40 cm in length.
7. Conducted emissions were investigated over the frequency range from 0.15MHz to 30MHz using a receiver bandwidth of 9 kHz.
8. During the above scans, the emissions were maximized by cable manipulation.

TEST MODE:

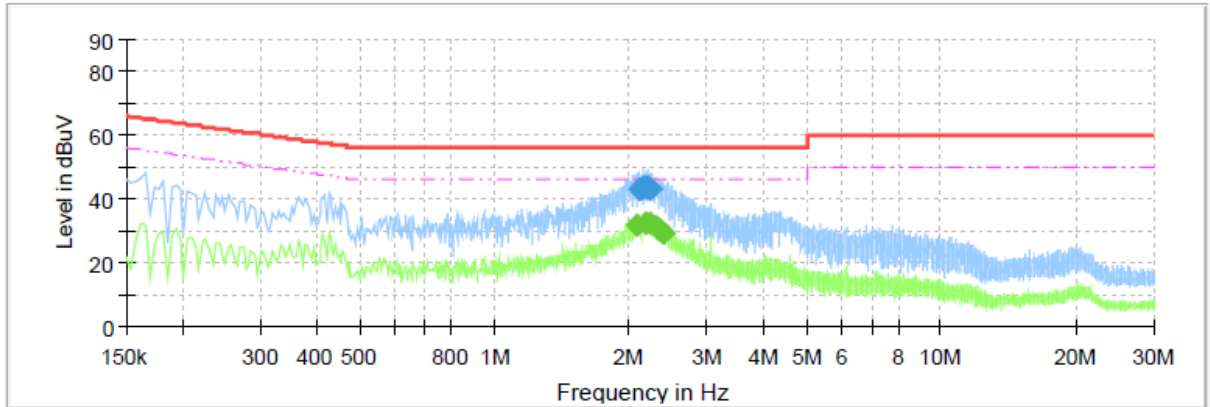
Please refer to the clause 3.3

TEST RESULTS

Passed Not Applicable

Test Line:

L

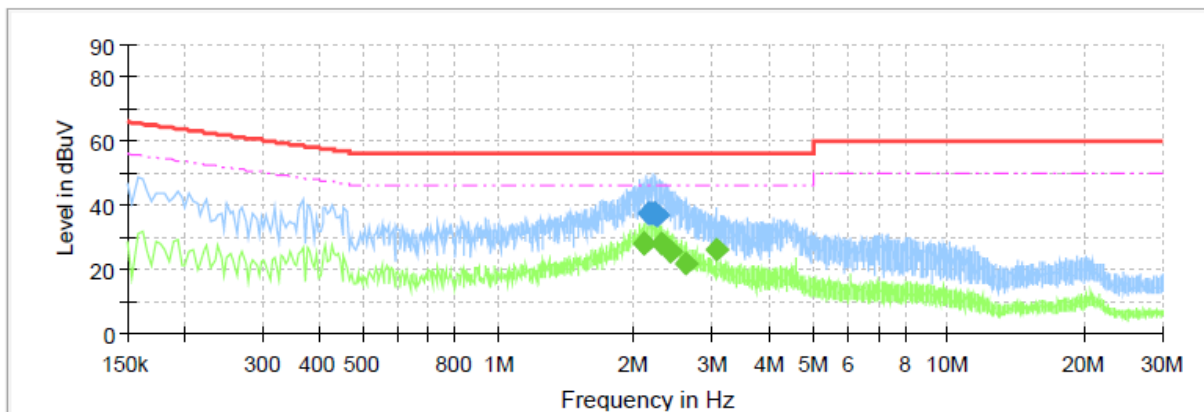


Final Result

| Frequency (MHz) | QuasiPeak (dBuV) | CAverage (dBuV) | Limit (dBuV) | Margin (dB) | Line | Corr. (dB) |
|-----------------|------------------|-----------------|--------------|-------------|------|------------|
| 2.0915 | --- | 31.78 | 46.00 | 14.22 | L1 | 11.0 |
| 2.1075 | 43.02 | --- | 56.00 | 12.98 | L1 | 11.0 |
| 2.1275 | 43.25 | --- | 56.00 | 12.75 | L1 | 11.0 |
| 2.1675 | 43.64 | --- | 56.00 | 12.36 | L1 | 11.0 |
| 2.1795 | --- | 32.62 | 46.00 | 13.38 | L1 | 11.0 |
| 2.1845 | 43.51 | --- | 56.00 | 12.49 | L1 | 11.0 |
| 2.2045 | 43.48 | --- | 56.00 | 12.52 | L1 | 11.0 |
| 2.2355 | --- | 32.56 | 46.00 | 13.44 | L1 | 11.0 |
| 2.2355 | 43.17 | --- | 56.00 | 12.83 | L1 | 11.0 |
| 2.3035 | --- | 31.50 | 46.00 | 14.50 | L1 | 11.0 |
| 2.3355 | --- | 30.93 | 46.00 | 15.07 | L1 | 11.0 |
| 2.3955 | --- | 29.40 | 46.00 | 16.60 | L1 | 11.0 |

Test Line:

N



Final Result

| Frequency (MHz) | QuasiPeak (dBuV) | CAverage (dBuV) | Limit (dBuV) | Margin (dB) | Line | Corr. (dB) |
|-----------------|------------------|-----------------|--------------|-------------|------|------------|
| 2.0995 | --- | 28.11 | 46.00 | 17.89 | N | 10.8 |
| 2.1075 | --- | 28.33 | 46.00 | 17.67 | N | 10.8 |
| 2.1525 | 37.47 | --- | 56.00 | 18.53 | N | 10.8 |
| 2.1795 | 37.56 | --- | 56.00 | 18.44 | N | 10.8 |
| 2.2125 | 37.42 | --- | 56.00 | 18.58 | N | 10.8 |
| 2.2235 | 37.43 | --- | 56.00 | 18.57 | N | 10.8 |
| 2.2395 | 37.31 | --- | 56.00 | 18.69 | N | 10.8 |
| 2.2675 | 36.88 | --- | 56.00 | 19.12 | N | 10.8 |
| 2.2955 | --- | 27.86 | 46.00 | 18.14 | N | 10.8 |
| 2.4195 | --- | 25.48 | 46.00 | 20.52 | N | 10.8 |
| 2.6195 | --- | 21.71 | 46.00 | 24.29 | N | 10.8 |
| 3.0515 | --- | 26.06 | 46.00 | 19.94 | N | 10.8 |

5.2. Radiated Emissions

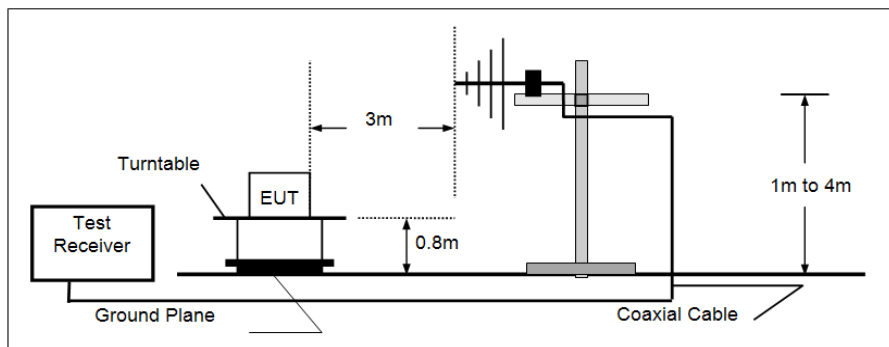
LIMIT

FCC CFR Title 47 Part 15 Subpart B Section 15.109

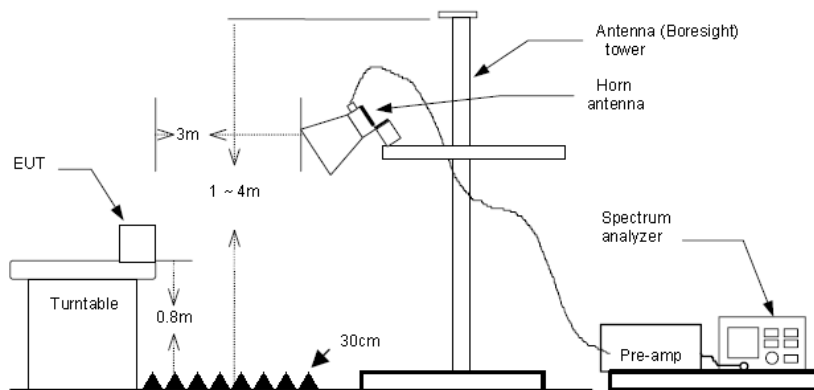
| Frequency | Limit (dBuV/m @3m) | Value |
|---------------|--------------------|------------|
| 30MHz-88MHz | 40.00 | Quasi-peak |
| 88MHz-216MHz | 43.50 | Quasi-peak |
| 216MHz-960MHz | 46.00 | Quasi-peak |
| 960MHz-1GHz | 54.00 | Quasi-peak |
| Above 1GHz | 54.00 | Average |
| | 74.00 | Peak |

TEST CONFIGURATION

➤ 30MHz ~ 1GHz



➤ Above 1GHz



TEST PROCEDURE

- The EUT was tested according to ANSI C63.4:2014.
- The EUT is placed on a turn table which is 0.8 meter above ground.
- The turn table is rotated 360 degrees to determine the position of the maximum emission level.
- The EUT was positioned such that the distance from antenna to the EUT was 3 meters.
- The antenna is scanned from 1 meter to 4 meters to find out the maximum emission level. This is repeated for both horizontal and vertical polarization of the antenna.
- Use the following spectrum analyzer settings
 - Span shall wide enough to fully capture the emission being measured;
 - Below 1GHz,
RBW=120KHz, VBW=300KHz, Sweep=auto, Detector function=peak, Trace=max hold;
If the emission level of the EUT measured by the peak detector is 3 dB lower than the applicable limit, the peak emission level will be reported. Otherwise, the emission measurement will be repeated using the quasi-peak detector and reported.
 - From 1GHz to 5th harmonic, RBW=1MHz, VBW=3MHz

TEST MODE:

Please refer to the clause 3.3

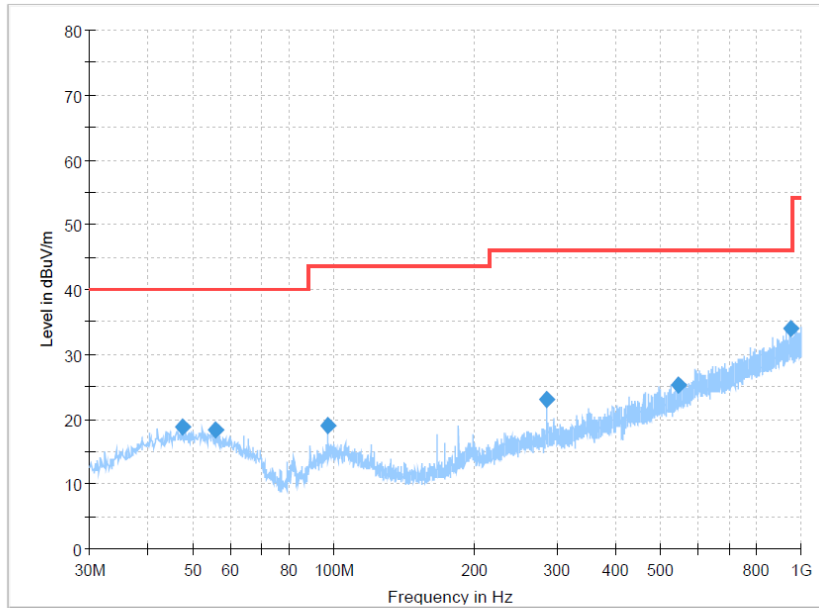
TEST RESULTS

Passed **Not Applicable**

Note: Final Level = Receiver Read level + Antenna Factor + Cable Loss – Preamplifier Factor
The emission levels of frequency above 6GHz are very lower than limit and not show in test report.

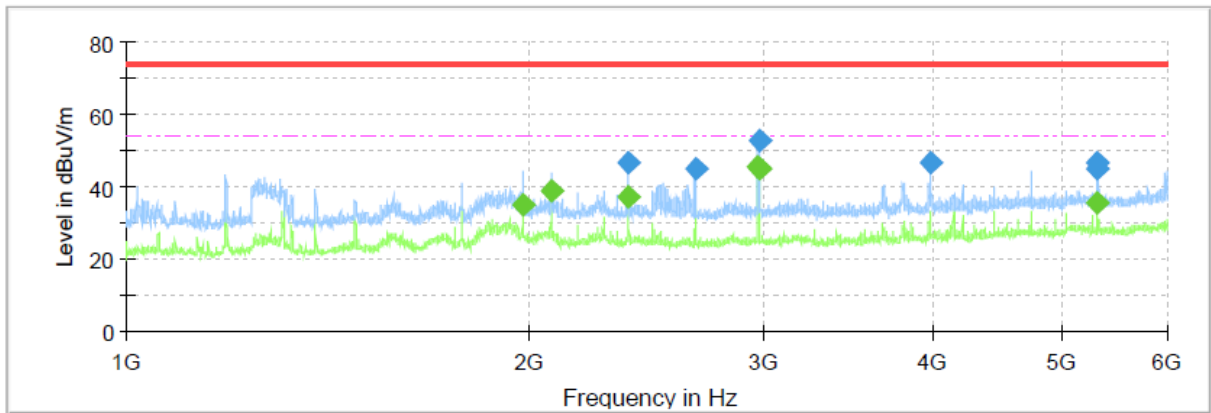
Polarization:

Horizontal



Final Result

| Frequency (MHz) | MaxPeak (dBuV/m) | Limit (dBuV/m) | Margin (dB) | Height (cm) | Pol | Azimuth (deg) | Corr. (dB/m) |
|-----------------|------------------|----------------|-------------|-------------|-----|---------------|--------------|
| 47.3388 | 18.84 | 40.00 | 21.16 | 300.0 | H | 201.0 | -8.8 |
| 55.7050 | 18.40 | 40.00 | 21.60 | 300.0 | H | 74.0 | -9.1 |
| 96.9300 | 19.07 | 43.50 | 24.43 | 100.0 | H | 196.0 | -11.2 |
| 284.6250 | 22.96 | 46.00 | 23.04 | 100.0 | H | 189.0 | -7.8 |
| 547.1313 | 25.27 | 46.00 | 20.73 | 300.0 | H | 193.0 | -1.0 |
| 948.2263 | 33.88 | 46.00 | 12.12 | 300.0 | H | 1.0 | 7.1 |

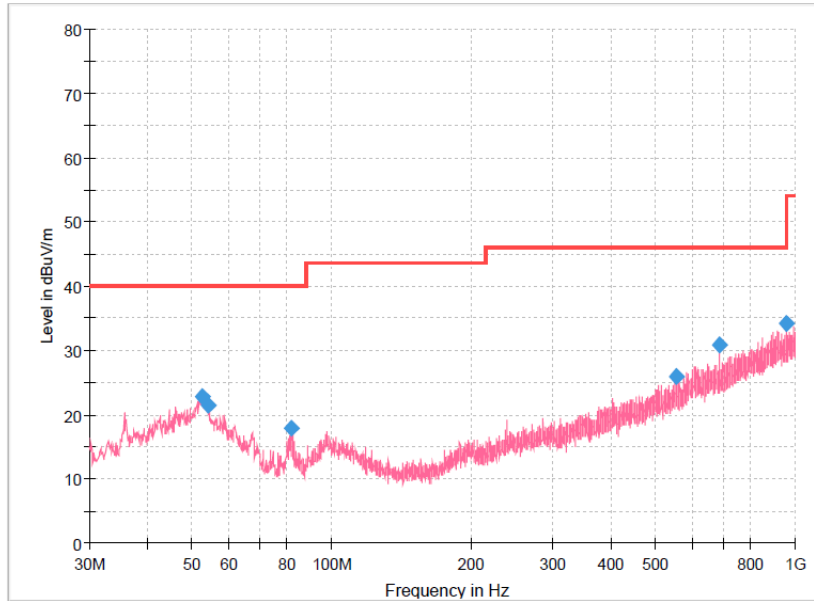


Final Result

| Frequency (MHz) | MaxPeak (dBuV/m) | Average (dBuV/m) | Limit (dBuV/m) | Margin (dB) | Height (cm) | Pol | Azimuth (deg) | Corr. (dB/m) |
|-----------------|------------------|------------------|----------------|-------------|-------------|-----|---------------|--------------|
| 1978.1250 | --- | 35.00 | 54.00 | 19.00 | 150.0 | H | 222.0 | -12.3 |
| 2076.8750 | --- | 39.08 | 54.00 | 14.92 | 150.0 | H | 213.0 | -11.2 |
| 2373.7500 | 46.47 | --- | 74.00 | 27.53 | 150.0 | H | 123.0 | -10.0 |
| 2373.7500 | --- | 37.40 | 54.00 | 16.60 | 150.0 | H | 123.0 | -10.0 |
| 2665.6250 | 45.13 | --- | 74.00 | 28.87 | 150.0 | H | 51.0 | -9.8 |
| 2966.8750 | --- | 45.64 | 54.00 | 8.36 | 150.0 | H | 204.0 | -8.5 |
| 2972.5000 | 52.86 | --- | 74.00 | 21.14 | 150.0 | H | 204.0 | -8.4 |
| 2973.7500 | --- | 45.09 | 54.00 | 8.91 | 150.0 | H | 195.0 | -8.4 |
| 3991.8750 | 46.40 | --- | 74.00 | 27.60 | 150.0 | H | 343.0 | -6.1 |
| 5314.3750 | 46.48 | --- | 74.00 | 27.52 | 150.0 | H | 33.0 | -3.2 |
| 5314.3750 | --- | 35.40 | 54.00 | 18.60 | 150.0 | H | 33.0 | -3.2 |
| 5327.5000 | 44.85 | --- | 74.00 | 29.15 | 150.0 | H | 260.0 | -3.2 |

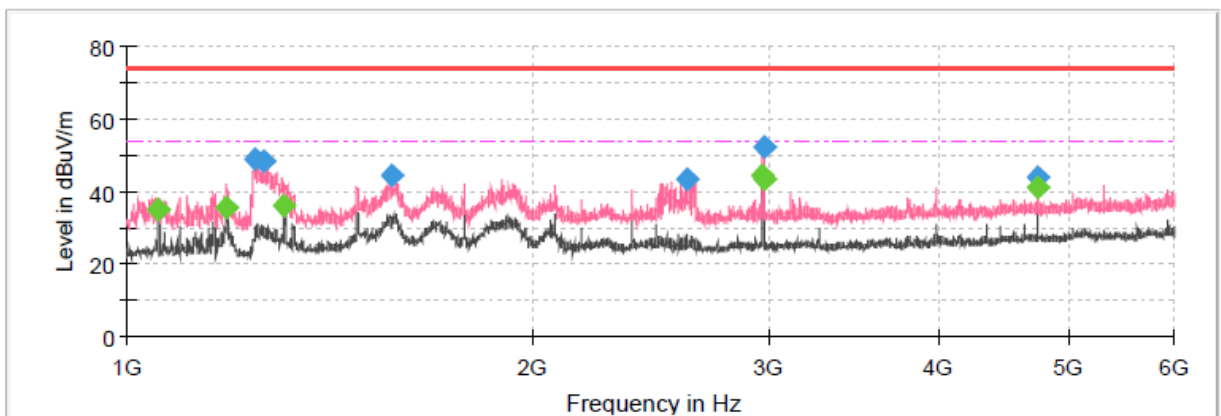
Polarization:

Vertical



Final Result

| Frequency (MHz) | MaxPeak (dBuV/m) | Limit (dBuV/m) | Margin (dB) | Height (cm) | Pol | Azimuth (deg) | Corr. (dB/m) |
|-----------------|------------------|----------------|-------------|-------------|-----|---------------|--------------|
| 52.4313 | 22.77 | 40.00 | 17.23 | 100.0 | V | 260.0 | -8.9 |
| 54.2500 | 21.45 | 40.00 | 18.55 | 100.0 | V | 134.0 | -9.1 |
| 81.6525 | 17.82 | 40.00 | 22.18 | 100.0 | V | 356.0 | -15.5 |
| 554.6488 | 25.93 | 46.00 | 20.07 | 100.0 | V | 359.0 | -0.8 |
| 687.5388 | 30.94 | 46.00 | 15.06 | 100.0 | V | 22.0 | 2.1 |
| 954.8950 | 34.13 | 46.00 | 11.87 | 100.0 | V | 221.0 | 7.3 |



Final Result

| Frequency (MHz) | MaxPeak (dBuV/m) | Average (dBuV/m) | Limit (dBuV/m) | Margin (dB) | Height (cm) | Pol | Azimuth (deg) | Corr. (dB/m) |
|-----------------|------------------|------------------|----------------|-------------|-------------|-----|---------------|--------------|
| 1055.6250 | --- | 34.85 | 54.00 | 19.15 | 150.0 | V | 229.0 | -14.7 |
| 1186.8750 | --- | 35.49 | 54.00 | 18.51 | 150.0 | V | 137.0 | -14.0 |
| 1245.0000 | 48.69 | --- | 74.00 | 25.31 | 150.0 | V | 137.0 | -13.5 |
| 1264.3750 | 48.29 | --- | 74.00 | 25.71 | 150.0 | V | 137.0 | -13.4 |
| 1307.5000 | --- | 35.88 | 54.00 | 18.12 | 150.0 | V | 209.0 | -13.1 |
| 1573.7500 | 44.54 | --- | 74.00 | 29.46 | 150.0 | V | 118.0 | -13.6 |
| 2606.8750 | 43.52 | --- | 74.00 | 30.48 | 150.0 | V | 173.0 | -9.9 |
| 2966.2500 | --- | 44.68 | 54.00 | 9.32 | 150.0 | V | 137.0 | -8.5 |
| 2972.5000 | 52.03 | --- | 74.00 | 21.97 | 150.0 | V | 200.0 | -8.4 |
| 2973.7500 | --- | 43.10 | 54.00 | 10.90 | 150.0 | V | 137.0 | -8.4 |
| 4747.5000 | 43.93 | --- | 74.00 | 30.07 | 150.0 | V | 200.0 | -4.1 |
| 4747.5000 | --- | 40.95 | 54.00 | 13.05 | 150.0 | V | 200.0 | -4.1 |

6. TEST SETUP PHOTOS OF THE EUT

Conducted Emissions (AC Mains)



Radiated Emissions (30MHz-1GHz)



Radiated Emissions (Above 1GHz)



7. EXTERNAL AND INTERNAL PHOTOS OF THE EUT

Refer to the test report No.: CHTW24010055

-----End of Report-----