



1. List of admission items (Index)

The serial number	content	The page number
—	Book cover	1
—	Version change record	2
1	List of admission items	3
2	Test equipment and conditions	4
3	Prototype structure specification	5
4	Finished antenna drawing	6
5	S11	7
6	Gain/efficiency /3D diagram	8
7	packaging	9

## 2. (Test Equipment & Conditions)

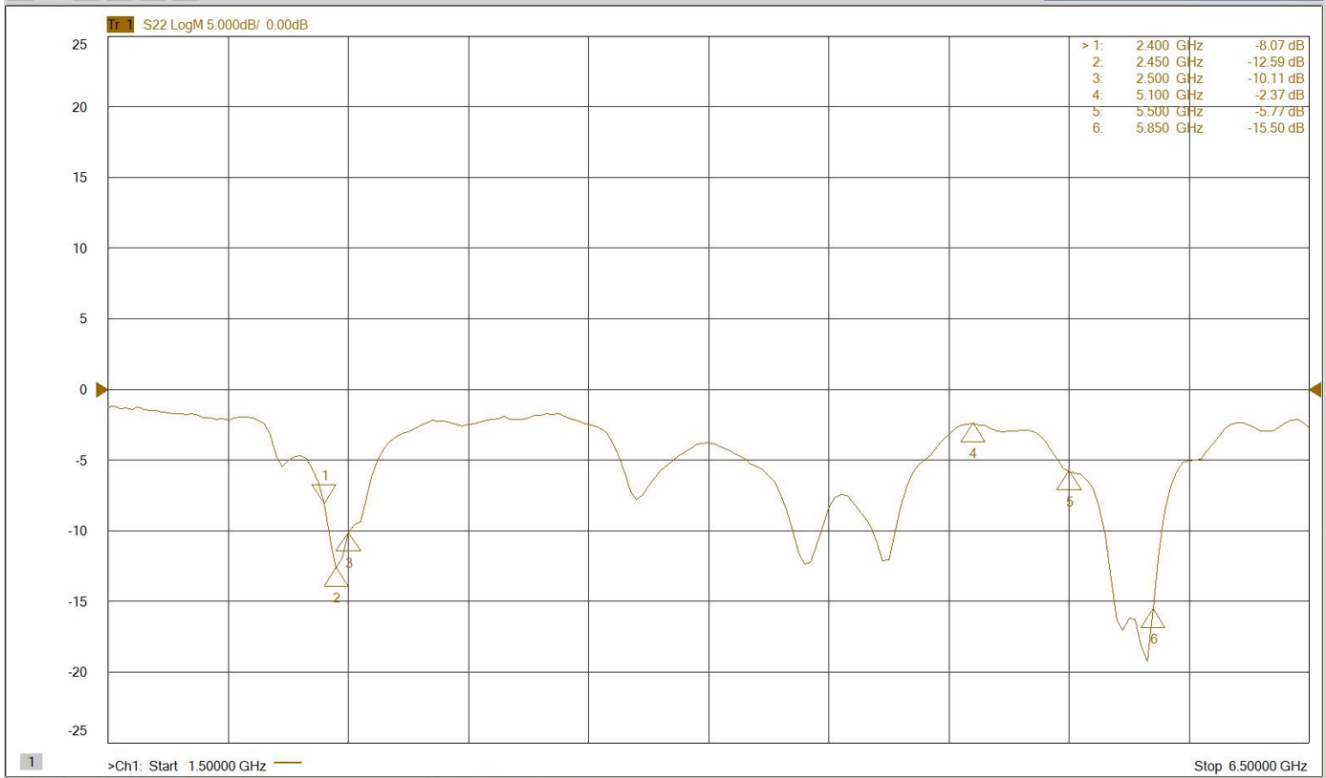
2.1. Network Analyzers : KEYSIGHT P5002A

2.2. Communications Test Set: R&S CMW 500

2.3. 3D Chamber Test System: 64 Probe test system

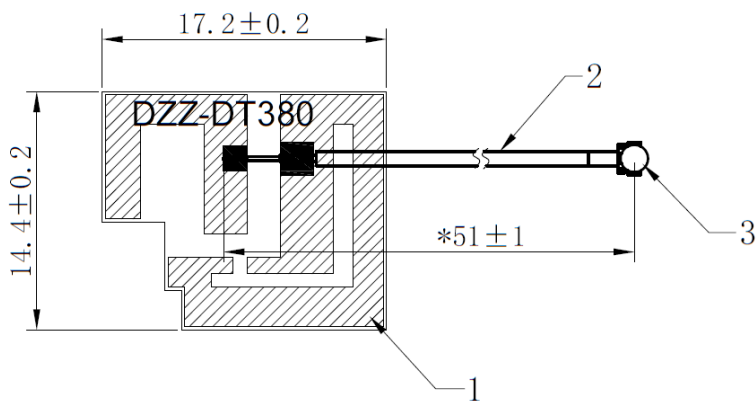


### 4. 2.4G Ant- S11



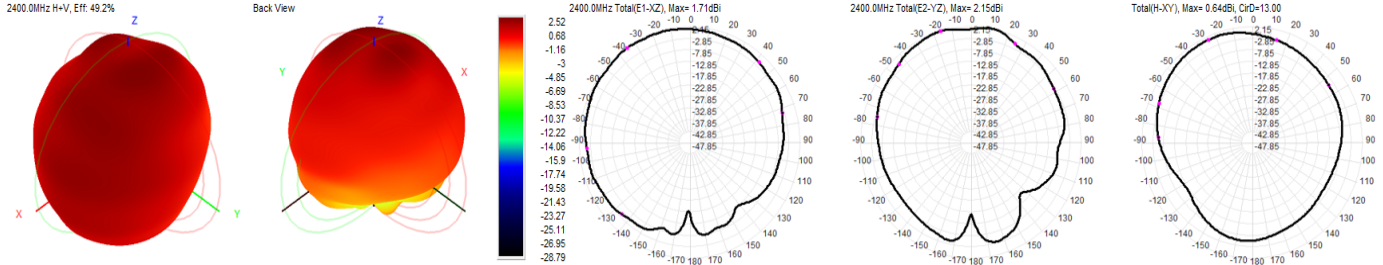
Efficiency(%), Gain(dBi)

Frequency ID	1	2	3	4	5	6	7	8	9	10	11
Frequency (MHz)	2400.0	2410.0	2420.0	2430.0	2440.0	2450.0	2460.0	2470.0	2480.0	2490.0	2500.0
Efficiency (dBi)	-3.08	-3.02	-2.89	-2.78	-2.75	-2.70	-2.74	-2.74	-2.73	-2.80	-3.06
Gain (dBi)	2.52	2.80	2.98	3.00	2.99	3.28	3.27	3.28	3.43	3.52	3.38
Efficiency (%)	49.18	49.87	51.38	52.69	53.04	53.68	53.16	53.27	53.39	52.49	49.46

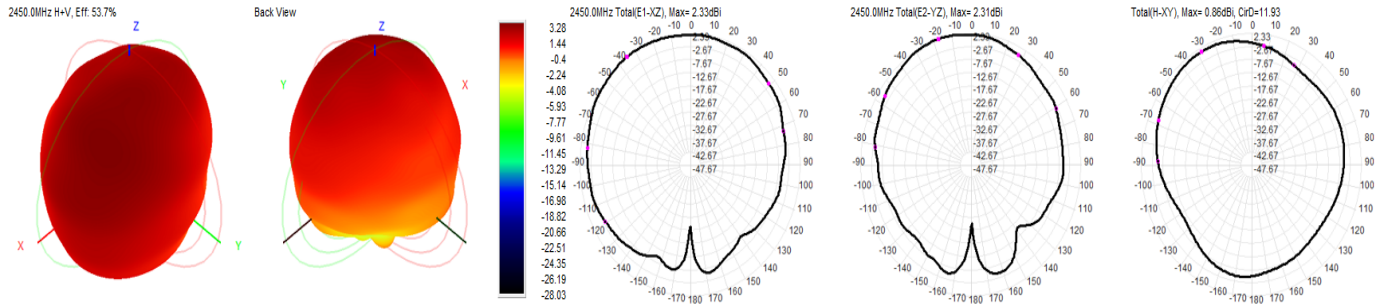


## 3D Pattern @2400MHz-2500MHz

### 2400MHz



### 2450MHz



### 2500MHz

