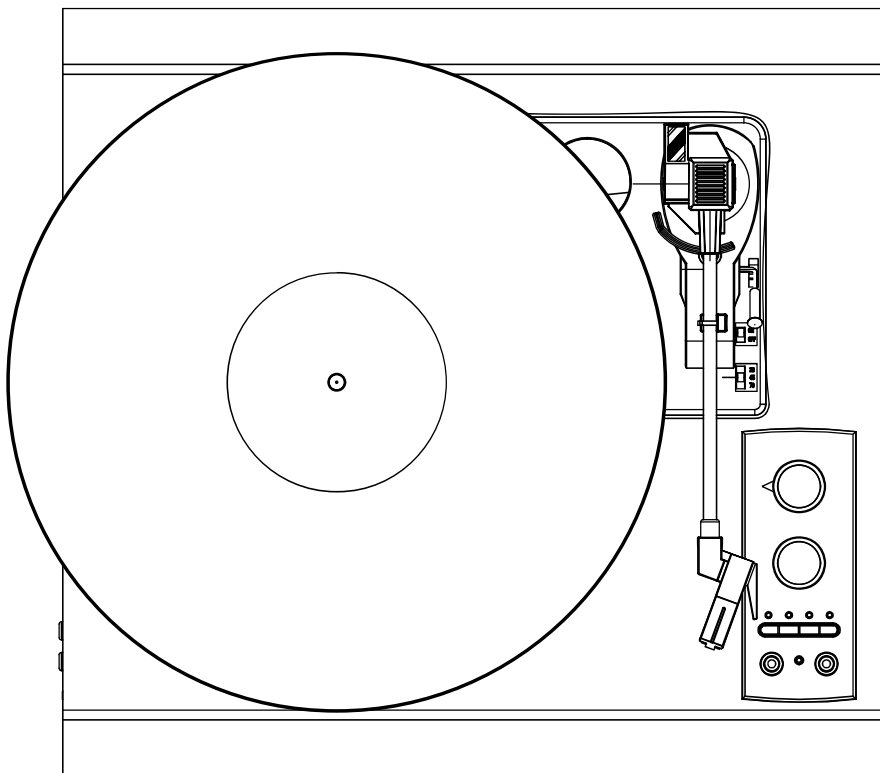


RETRO TURNTABLE OPERATION GUIDE

Voksun 1689



Thank you for buying this product. You may already be familiar with using a similar unit , but please take the time to read these instructions.

WHERE TO PUT YOUR TURNTABLE

It is important that you consider carefully in advance where your turntable will be situated and make sure that it is:

- * On a flat and stable surface with sufficient ventilation
- * Away from bright sunlight or heat sources, such as a radiator or naked flame and lighted candles must not be placed on the turntable
- * Not in a humid or very damp place such as a bathroom

IMPORTANT SAFETY INSTRUCTIONS

Please read this instruction manual carefully before attempting to use the turntable and keep the manual for future reference

The turntable is for indoor use only

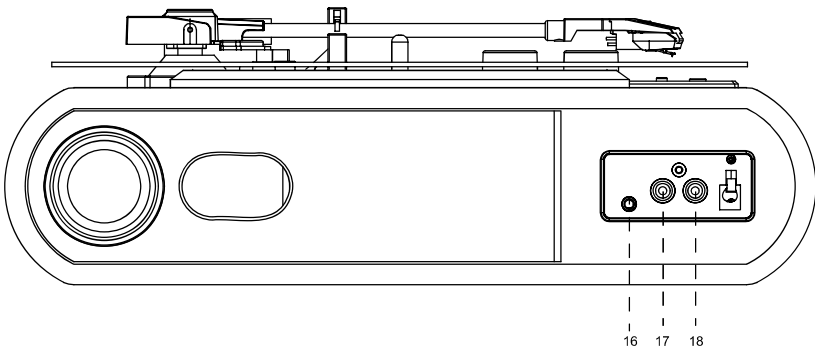
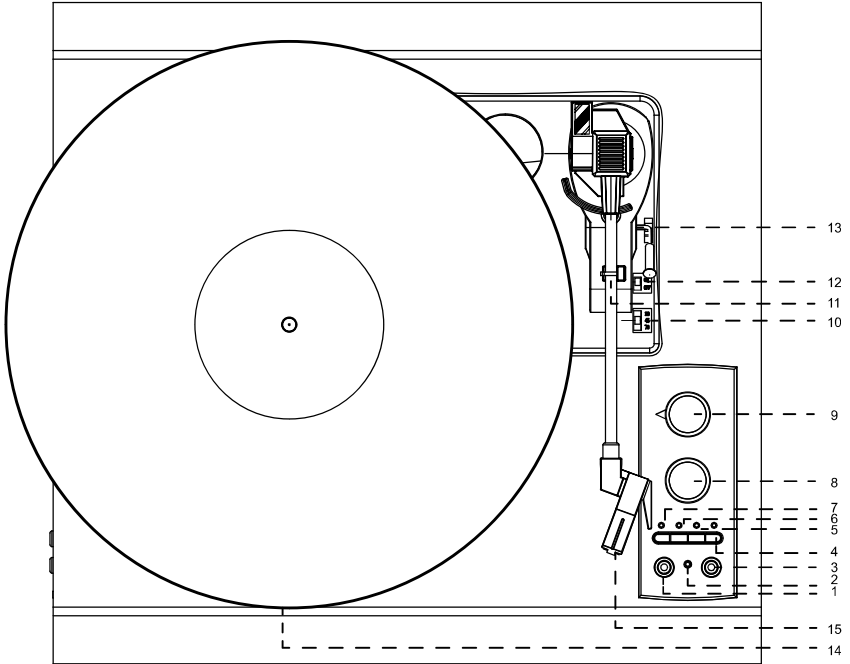
Do not move the turntable while it is connected to the mains supply via the adapter

Clean the turntable with a slightly damp cloth and do not use abrasive cleaners

Children should be supervised to ensure that they do not play with the turntable

WARNING: If the flexible cable of the adapter is damaged, it must be replaced by the manufacturer or his service agent or a similar qualified person in order to avoid a hazard

GENERAL DESCRIPTIONS



- | | |
|---|----------------------------------|
| 1.AUX-In(Audio input) | 2.Bluetooth light |
| 3.Headphone output | 4.Bluetooth |
| 5.Turntable | 6.FM Radio |
| 7.AM Radio | 8.OFF/ON//VOLUME Knob |
| 9.Adjust the radio manually | 10.Speed Selector (33/45/78 RPM) |
| 11.Plastic clip | 12.On/Off turntable |
| 13.Automatically lift the joystick's handle | 14.Vinyl |
| 15.Stylus | 16.Power |
| 17.Line out(R) | 18.Line out(L) |

OPERATING INSTRUCTIONS

- 1.) Connection adapter, To turn on the system 'ON', rotate the OFF/VOLUME control clockwise until a 'click' is heard, and set the Volume to a low level. The backlight remains 'On'.
- 2.) Set the Function selector (PH) to PH position. Put vinyl records in a turntable, turn to On mode, open the Plastic clip, then let the handle up, the stick will be raised, the stick moving turntable to vinyl above with your hand gently, then press down the handle (note: don't directly to touch stylus by your hand, or will let the stick press down by hand), begin to enjoy music.
- 3.) Adjust the VOLUME control to a desired level.

AM/FM OPERATION

Press the AM or FM button to receive the radio, you can use the rotary knob adjust the radio manually.

USING STEREO HEADPHONES(NOT INCLUDED)

Connect a set of stereo headphones with a 3.5 mm mini-plug to the PHONE jack on the front panel. Before putting on the headphones always set the OFF/VOLUME control to a low level, then put the headphones on and gradually increase the volume to a comfortable listening level. The built-in speakers automatically shut off when headphones are connected to the PHONE jack.

BLUETOOTH FUNCTION OPERATION

1. Turn on the unit, rotate the volume control to desert level.

Turn the Function Knob to BT mode, and make sure the tone-arm is on the resetting state.A short Bluetooth starting tone can be heard, then the Bluetooth indicator will be flashing.

2.Turn on your Bluetooth device and scan. It will be displayed as "Voksun 1689" when discovered by your Bluetooth device.

3.When the unit is paired with your Bluetooth device, you can hear a short tone from the speakers.

Play your Bluetooth device as you normally do and the sound will be played from this unit. Then you may enjoy the music.

Note:

1.Make sure your Bluetooth device and this unit is within 10 meters

2.Check and see if there are other Bluetooth devices nearby interfering the signal and connection.

3.This unit is could be paired by multiple different Bluetooth devices, but could only be connected and played by one of them at a time. Make sure no others device is actively connected to it already when you are trying to connect the one you are wording on.

AUX IN FUNCTION OPERATION

Select to the PH function Insert two ends of cord into "AUX IN "socket of unit and corresponding socket of your external device respectively. Operate external device as usual and through the speaker of unit can hear the songs from the external device.

IMPORTANT NOTES

Avoid installing this unit in places exposed to direct sunlight or close to heat radiating appliances such as electric heaters, on top of other stereo equipment that radiates too much heat, places lacking ventilation or dusty areas, places subject to constant vibration and/or humid or moist areas.

Do not attempt to clean this unit with chemical solvents as this might damage the finish. Use a clean dry cloth.

FCC Statements

This device complies with Part 15 of the FCC Rules. Operation is subject to the following two conditions:

(1) This device may not cause harmful interference.

(2) This device must accept any interference received, including interference that may cause undesired operation.

2. Changes or modifications not expressly approved by the party responsible for compliance could void the user's authority to operate the equipment.

Note: This equipment has been tested and found to comply with the limits for a class B digital device, pursuant to Part 15 of the FCC Rules. These limits are designed to provide reasonable protection against harmful interference in a residential installation.

This equipment generates uses and can radiate radio frequency energy and, if not installed and used in accordance with the instructions, may cause harmful interference to radio communications. However, there is no guarantee that interference will not occur in a particular installation. If this equipment does cause harmful interference to radio or television reception, which can be determined by turning the equipment off and on, the user is encouraged to try to correct the interference by one or more of the following measures:

- Reorient or relocate the receiving antenna.
- Increase the separation between the equipment and receiver.
- Connect the equipment into an outlet on a circuit different from that to which the receiver is connected.
- Consult the dealer or an experienced radio/TV technician for help.

This equipment complies with FCC radiation exposure limits set forth for an uncontrolled environment. This equipment should be installed and operated with minimum distance 20cm between the radiator & your body.