

Handheld Gimbal Stabilizer

User manual

MODEL: SG TRANS
FCC ID:2ASVY-SGTS

1.Features

Lightest, smallest, fold-able, Portable, Pocket Handheld Gimbal. Only palm size after fold which could put in your coat pocket

Figure ① working condition

Figure ② fold condition

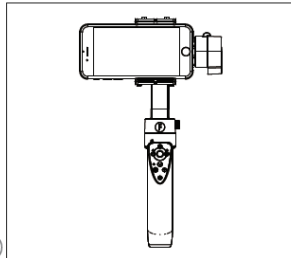


Figure ①

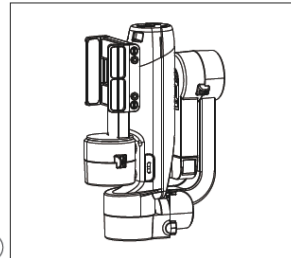
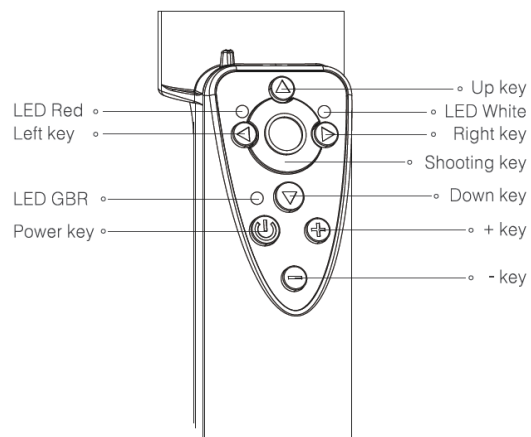
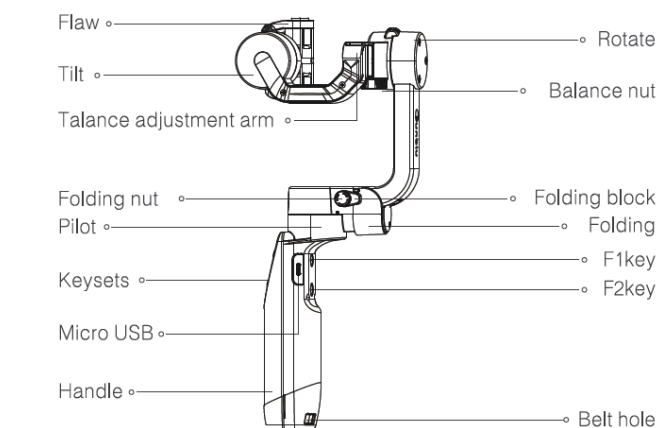


Figure ②

2.Structure



User manual

Starting Up / Shutting Down:

Press and hold 2 seconds, green light display after turn on successfully

Manual Manipulation:

Single/Press and hold Up Key/Down Key to control tilt rolls up/down

Single/Press and hold Left Key/Right Key to control pilot rolls left/right

Following Mode:

Double press power key to switch following mode (Function Cycle)

Full-follow mode , LED White - slow flashes

Locked mode , LED White - Solid lighting

Half-follow mode , LED White - off

Restoration: Reset three axis by triple - pressing Power Key

Calibration:

The Gimbal calibrated by combo Power key ten times. Make sure the Gimbal is starting up and in vertical position

Charging:

Plug cable in to charging port, red light is flashing in this position. Solid green when full charge

Battery Life:

Power>=30% LED: Solid Green

Power<30% LED Solid Red

Power<10% LED Red flashing

While connected with APP:

Filming:

Single press the Shooting Key to set Shoot once/begin recording or stop recording

Double- press the Shooting Key to switch photo/video mode

Triple- press the Shooting Key to switch front/back camera

Zoom:

Single press/Press and hold +key to enlarge

Single press/Press and hold -key to shrink

Following Speed:

Speed up Automatically follow speed gradually by pressing +key and hold F1 (default middle speed)

Speed up Rocker follow speed gradually by pressing +key and hold F1 (three speed levels) default middle speed

Slow down Automatically follow speed gradually by pressing - key and hold F2 (three speed levels) default middle speed

Slow down Rocker follow speed gradually by pressing - key and hold F2 (three speed levels) default middle speed

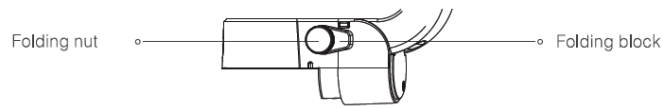
Other Power indicator condition illustration:

- Blue: received order
- Green: proper functioning indicate
- Red: low voltage charging needed; shut down when flashing
- Red and blue flashing:
- Gimbal is not in balance position, shut down and adjust it before use
- Overloaded, system turns into protect state, you can shut down to check function
- Yellow: system error, Please restart it if still not working, take Gimbal to professional service store

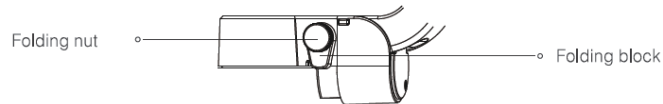
User manual

3.Folding

Folding block condition illustration



Working states: As shown above, twist folding block to the horizontal position, then tighten the folding block nut



Folding states: As shown above, twist folding block to the vertical position, then tighten the folding block nut

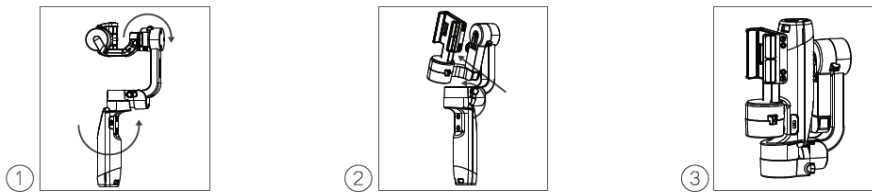
- Do not twist the rotary locking clamps in other direction

How to fold:

Wrench balance adjustment arm to minimum size, make sure the folding block is in vertical position

Step 1: As shown on figure 1, Wrench balance adjustment to figure 2, push to the end and form an angle with the outer ring arm

Step 2: As shown on figure 1, turn the handle to 180 degree as figure 2, and fold up as figure 3



Unfold: Make sure the folding block turned to vertical position

Step 1: As shown on figure 3, push balance adjustment arm to the end and form an angle with the outer ring arm, as figure 2

Step 2: Reverse to unfold

User manual

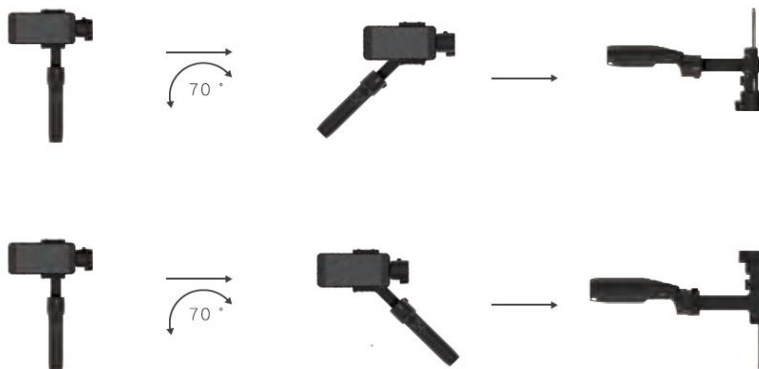
4.Guidance

1. Full charge before use, charging time is about 3 hours
2. Make sure twist folding block to the vertical position, then tighten the folding block nut
3. Mount mobile phone: put phone in the middle, do not deviate any side of claw, and closer to the tilt motor
4. Adjust balance: mount your phone before loose screw and move the balance adjustment arm. The tilt is balance if the mobile phone remains level when released, then tight the screw. Remember the scale value to quickly access next time
5. Connect APP and Bluetooth: open Bluetooth and search " STABILIZER_XXXXX" to connect
6. Download APP :

IOS: Search and download "Gimbal pro" in App Store

Android: Scan the QR code/access website or search in Tencent APP Store, Google Play

7. Switch Horizontal/Vertical shooting



User manual

8. Shooting mode (based on Framing screen)

Half-follow mode:

Default mode when the power is turned on, the hand-held stabilizer follows the direction of rotation of the handle (the automatic following speed can be adjusted), and the left and right view/tilt keys can be pressed to adjust the viewfinder screen (the manual rotation speed can be adjusted)

Full-follow mode:

Double-press to set this mode, the framing picture follows the direction of rotation of the handle while following the direction of the handle pitching operation (the automatic following speed can be adjusted), and the left and right view/tilt-down keys can be pressed to adjust the framing picture (the manual rotation speed can be adjusted)

Locked mode:

Double-press again to set, the viewfinder screen does not follow the direction of rotation of the handle, and maintains a fixed direction. At the same time, you can press and hold the left and right view/tilt view keys to adjust the viewfinder screen (the manual rotation speed can be adjusted)

Switch modes:

Double press the power key to switch between half-follow, all-follow and locked modes

5.Product Parameters

Charging voltage/Current	5V/1A	Capacity	2600mAh
Working voltage	3.7V	Battery working time	~8H
Working humidity	5%~95%(No frost)	Working Temperature	0~45°C
Net weight	~400g	Size(fold form)	156x102x54mm
Payload	≤210g		

6.Common Problem

1. Gimbal needs charge when LED red turns on
2. Red and blue lights flicker means overload, require restart
3. If the motor rotates automatically during use, please calibrate the device through APP

7.Precautions

1. Please follow the instruction to install your phone, adjust balance, and lock tight
2. Only switch on Gimbal after set up your phone correctly
3. Cannot fold Gimbal after settle balance adjustment arm to smallest form

8.Calibration

Due to the influence of the geographical environment, it is necessary to calibrate the hand-held stabilizer periodically; or when it is not possible to completely return to the original position, calibration is also required

The preparation before calibration is same as ordinary adjust steps

Calibration method 1: Starting up, combo power key 10 times, calibration started when the power indicator flash red, blue, and green. Solid green represent calibration completed

Calibration method 2: Connecting APP, calibration path Gimbal Pro->setting->gimbal->automatically calibration

User manual

Warning:

Changes or modifications to this unit not expressly approved by the party responsible for compliance could void the user's authority to operate the equipment.

NOTE:

This device complies with part 15 of the FCC Rules.

Operation is subject to the following two conditions: (1) This device may not cause harmful interference, and (2) this device must accept any interference received, including interference that may cause undesired operation.

Note:

This equipment has been tested and found to comply with the limits for a Class B digital device, pursuant to part 15 of the FCC Rules. These limits are designed to provide reasonable protection against harmful interference in a residential installation. This equipment generates, uses and can radiate radio frequency energy and, if not installed and used in accordance with the instructions, may cause harmful interference to radio communications. However, there is no guarantee that interference will not occur in a particular installation. If this equipment does cause harmful interference to radio or television reception, which can be determined by turning the equipment off and on, the user is encouraged to try to correct the interference by one or more of the following measures:

- Reorient or relocate the receiving antenna.
- Increase the separation between the equipment and receiver.
- Connect the equipment into an outlet on a circuit different from that to which the receiver is connected.
- Consult the dealer or an experienced radio/TV technician for help.

RF exposure compliance statement:

This device has been evaluated to meet the general RF exposure requirement, it can be used in portable exposure condition without restriction.