

## **IMPORTANT**

Please read this manual before using the unit to ensure safe and proper use.

- **The unit will generate the magnetic/electric field; never place any medical equipment; watches; credit card; magnetic record card or any magnetic sensitive products close to the unit.**
- Only phones with built-in Qi wireless system can be recharged by this unit. For details, please refer to the user's manual of your phone.
- The design of the unit is for indoor use. Never spill or spray any type of liquid on the product.
- Do not use this product near water and moisture, for example: near a bathtub, washbowl, kitchen sink or laundry tub; in a wet basement; or near a swimming pool.
- Do not install near any heat sources such as radiators, heat registers, stoves, or other apparatus (including amplifiers) that produce heat.
- Clean only with dry cloth. Unplug this product from external USB Charging Devices before cleaning. Do not use liquid cleaners or aerosol cleaners. Use a dry cloth for cleaning.
- Do NOT place any heavy object on the Charging Surface. It may damage the unit.
- When replacement parts are required, be sure the service technician uses replacement parts specified by the manufacturer or those that have the same characteristics as the original parts. Unauthorized substitutions may result in fire or electric shock or other hazards.

August 27, 2021\_V1

## **FCC NOTICE**

This equipment has been tested and found to comply with the limits for a Class B digital device, pursuant to Part 15 of the FCC Rules. These limits are designed to provide reasonable protection against harmful interference in a residential installation. This equipment generates, uses and can radiate radio frequency energy and if not installed and used in accordance with the instructions, may cause harmful interference to radio communications. However, there is no guarantee that interference will not occur in a particular installation. If this equipment does cause harmful interference to radio or television reception, which can be determined by turning the equipment off and on, the user is encouraged to try to correct the interference by one or more of the following measures:

- Reorient or relocate the receiving antenna.
- Increase the separation between the equipment and receiver.
- Connect the equipment into an outlet on a circuit different from that to which the receiver is connected.
- Consult the dealer or an experienced radio/TV technician for help.

## **FCC WARNING**

This equipment may generate or use radio frequency energy. Changes or modifications to this equipment may cause harmful interference unless the modifications are expressly approved in the instruction manual. Modifications not authorized by the manufacturer may void user's authority to operate this device.

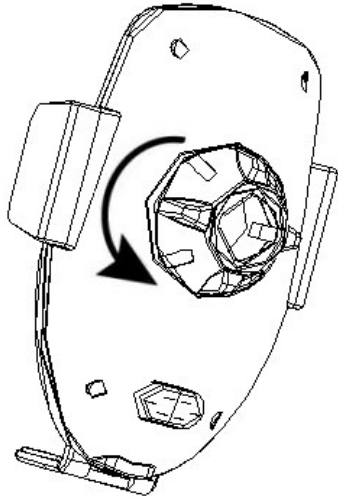
This equipment complies with FCC radiation exposure limits set forth for an uncontrolled environment. This equipment should be installed and operated with minimum distance 20cm between the radiator and your body. This transmitter must not be co-located or operating in conjunction with any other antenna or transmitter.

August 27, 2021\_V1

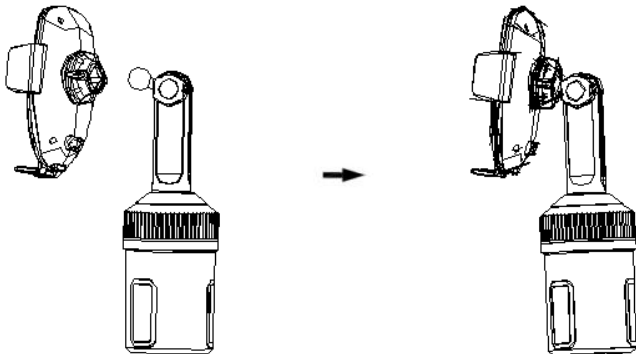
## **INSTALLATION**

Before use, assembled the Car Mount to the Charger as follows:

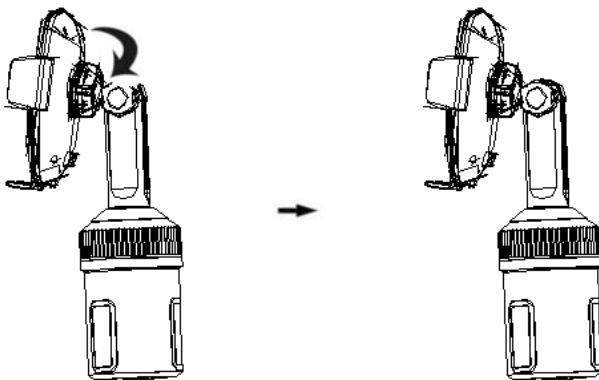
1. Loosen the Knob on the Charger by turning it counterclockwise as illustrated below:



2. Insert the Car Cup Holder Phone Mount into the Charger as illustrated below:

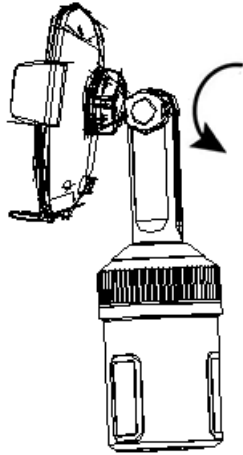


3. Tighten it by turning the Knob clockwise as illustrated below:

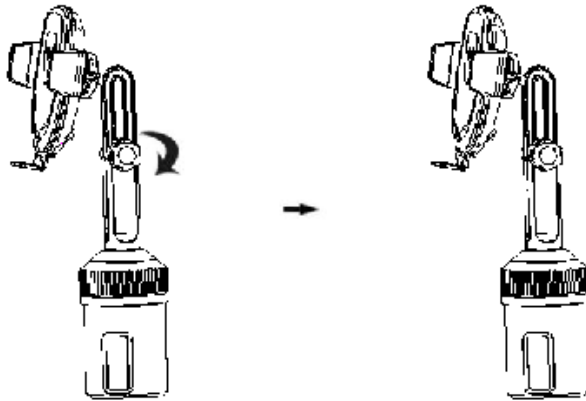


August 27, 2021\_V1

4. Loosen the Knob on the Mount by turning it counterclockwise as illustrated below:



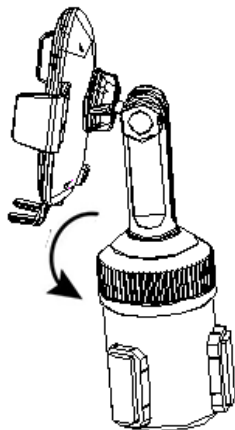
5. Pull out the pivot arm to the needed height then tighten it by turning the knob clockwise as illustrated below:



## MOUNTING

Mount the charger into your vehicle as follows:

1. Rotate the striped Circle counterclockwise to outspread the three Squares.



August 27, 2021\_V1

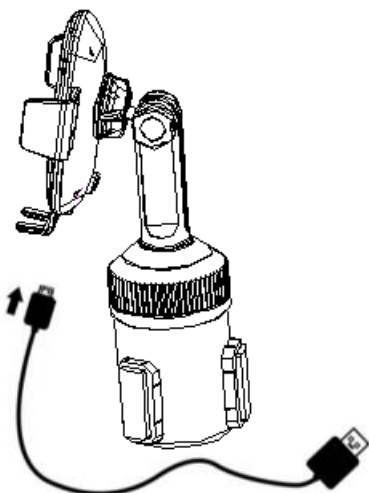
2. Outspread the three Squares to suitable position based on the diameter of Car Cup Holder, Put the charger into the Car Cup Holder.



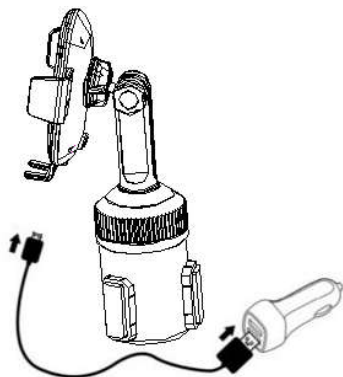
### **CONNECTION**

Connect the Charger to your Car USB Charger (not included) as follows:

1. Connect the Type-C USB Plug from the supplied USB connection cable to the Type-C USB Port on the Charger as illustrated below:



2. Connect the full size USB Plug to the USB Port on your Car USB Charger (not included) as illustrated below:

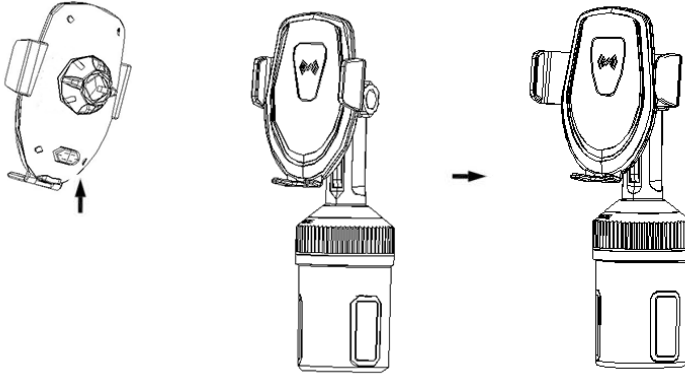


3. The Red Power On Indicator on the Charger will illuminate.

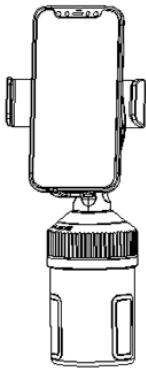
August 27, 2021\_V1

## WIRELESS CHARGING

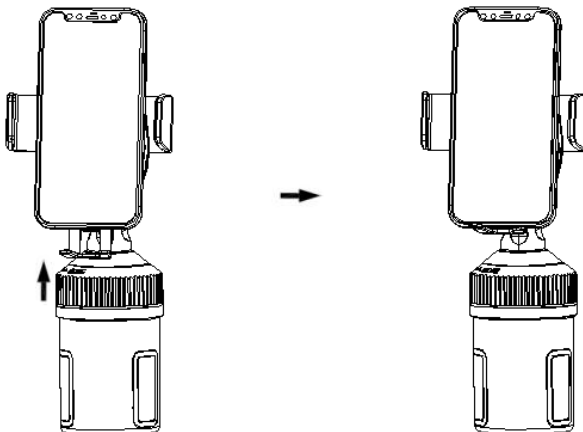
1. Mount the unit into your vehicle then connect it to your Car USB Charger as previously instructed.
2. Press the Release Button on the rear of Charger to release the Clip as illustrated below:



3. Place your cell phone onto the Charging surface as illustrated below:

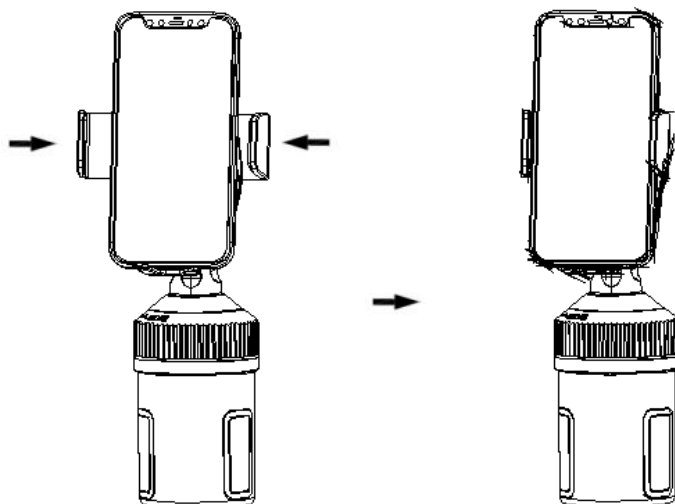


4. Adjust the location of cell phone by sliding the Holder up/down as illustrated below until the color of the Red Indicator on the Charger turns to blue (or, the charging icon appears on the cell phone's display) to start charging.  
(Note: If the location of the cell phone is incorrect, charging will NOT proceed.)



August 27, 2021\_V1

5. Closed the Clip to hold the cell phone as illustrated below:



**Notes:**

1. To charge a cell phone with the Charger, the cell phone must be compatible with the Qi standard for wireless charging.
2. During charging, if the cell phone has a cover or case, it may disturb or prevent the wireless charging function of the cell phone.
3. The charging transmission distance of the unit is less than 5mm, the thickness of cell phone cover of case can NOT over 8mm.
4. To maximize the charging speed, using a Car USB Charger (not included) equipped with Quick Charger 3.0 USB port.
5. To save energy, disconnect the Charger from the Car USB Charger if not using it for an extended period of time.

**GENERAL SPECIFICATION**

Wireless Charging Type:	Qi version 1.2.4
Input:	DC <del>5V</del> 5V/2A, 9V/1.67A
Output:	5V/1A, 9V/1.2A
Transmission Distance:	Up to 5mm

**PACKAGE INCLUDES**

1. Charger
2. Car Cup Holder Phone Mount
3. USB Connection Cable
4. User Manual
5. Quick Start Guide

August 27, 2021\_V1

## **DISCLAIMER**

**This device only supports smartphones with wireless charging capability. If your smartphone does not have wireless charging capability, you may need to purchase a compatible wireless receiver.**

**SPECIFICATIONS AND ACCESSORIES ARE SUBJECT TO CHANGE WITHOUT NOTICE**

**Need help?**

**We're here for you every day from 7 a.m. - 9 p.m. CST.**

**Give us a call at 1-888-516-2630**

August 27, 2021\_V1



## FCC WARNING

This device complies with part 15 of the FCC Rules. Operation is subject to the following two conditions: (1) this device may not cause harmful interference, and (2) this device must accept any interference received, including interference that may cause undesired operation.

Any changes or modifications not expressly approved by the party responsible for compliance could void the user's authority to operate the equipment.

NOTE: This equipment has been tested and found to comply with the limits for a Class B digital device, pursuant to Part 15 of the FCC Rules. These limits are designed to provide reasonable protection against harmful interference in a residential installation. This equipment generates, uses and can radiate radio frequency energy and, if not installed and used in accordance with the instructions, may cause harmful interference to radio communications. However, there is no guarantee that interference will not occur in a particular installation. If this equipment does cause harmful interference to radio or television reception, which can be determined by turning the equipment off and on, the user is encouraged to try to correct the interference by one or more of the following measures:

- Reorient or relocate the receiving antenna.
- Increase the separation between the equipment and receiver.
- Connect the equipment into an outlet on a circuit different from that to which the receiver is connected.
- Consult the dealer or an experienced radio/TV technician for help.

To maintain compliance with FCC's RF Exposure guidelines, This equipment should be installed and operated with minimum distance between 20cm the radiator your body: Use only the supplied antenna.