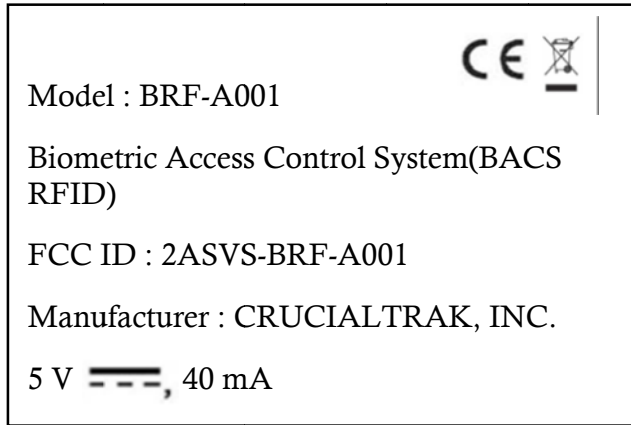
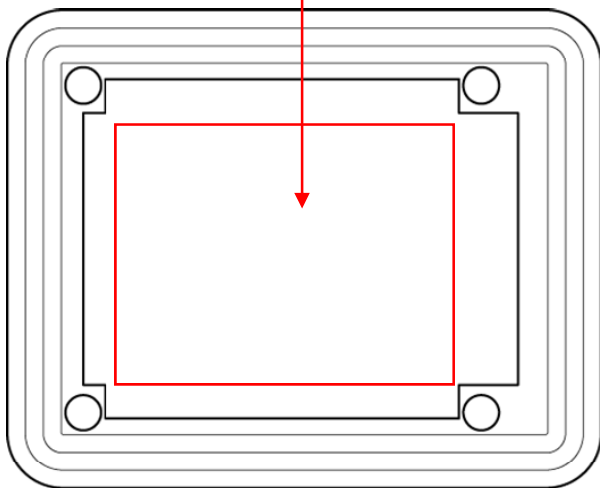


## Label sample & location

20 mm



15 mm



35mm



43mm

