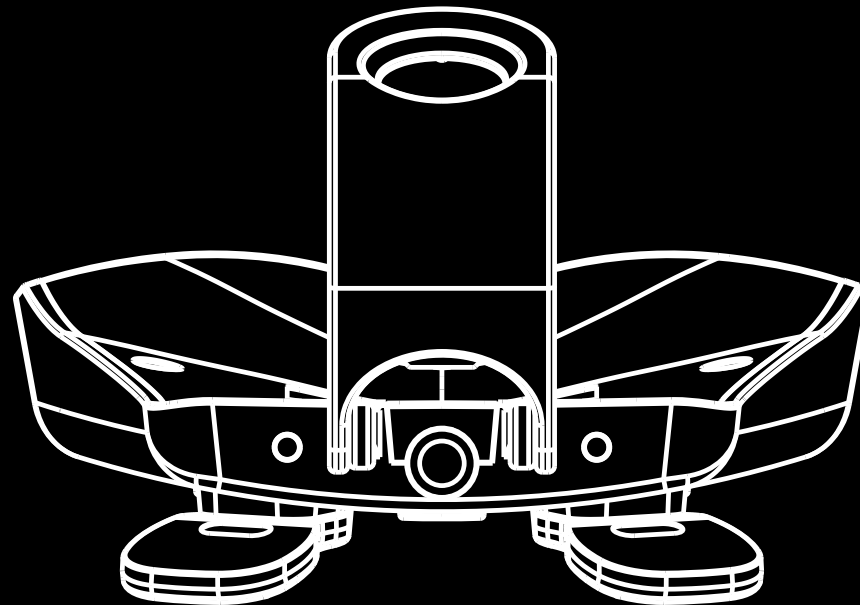




# MAGIC PACK

PS4 CONTROLLER ENCODER



MAYFLASH LIMITED

# DIRECTORY

<b>INTRODUCTION</b>	.....	01
<b>GETTING STARTED</b>	.....	02
<b>HARDWARE</b>	.....	03
1. Layout	.....	03
2. MOD Profiles	.....	05
3. Turbo / Autofire Functions	.....	05
4. Using Headset - Volume Setting and Mic Mute	.....	07
5. Left/ Right Paddles	.....	08
<b>SOFTWARE</b>	.....	09
1. Device Pairing	.....	09
2. Profile Setting	.....	10
3. Shooting Mode	.....	11
4. Button Mapping	.....	12
5. Joystick Modification	.....	13
6. Trigger Modification	.....	15
7. Vibration Setting	.....	15
8. Marco Mapping	.....	16
9. Turbo Speed setting	.....	18
10. Library/ List	.....	19

# INTRODUCTION

We want to say thank you for choosing MAYFLASH Magic Pack and congratulate you on your decision. We are sure that our product will provide you with a great deal of gaming pleasure for years to come. These instructions contain valuable information about operating and configuring the device. Please keep this manual in a safe place for future reference.

If you find any issues or have any difficulty operating the device, please reach out to us at [info@mayflash.com](mailto:info@mayflash.com) and we will be more than happy to help you out.

## GETTING STARTED

1. Place the Magic Pack at the back of Dual Shock 4, with Micro USB connector facing the USB Port on top of Dual Shock 4.
2. Slide in the Magic Pack to Dual Shock 4.
3. Swing the Bottom Clip to the front of Dual Shock 4 and push upward until it locks with the PS HOME button.
4. Your Magic Pack is now ready to use.
5. For more settings, please download the Magic Pack app on your smartphone, and refer to the Software section of this user manual.



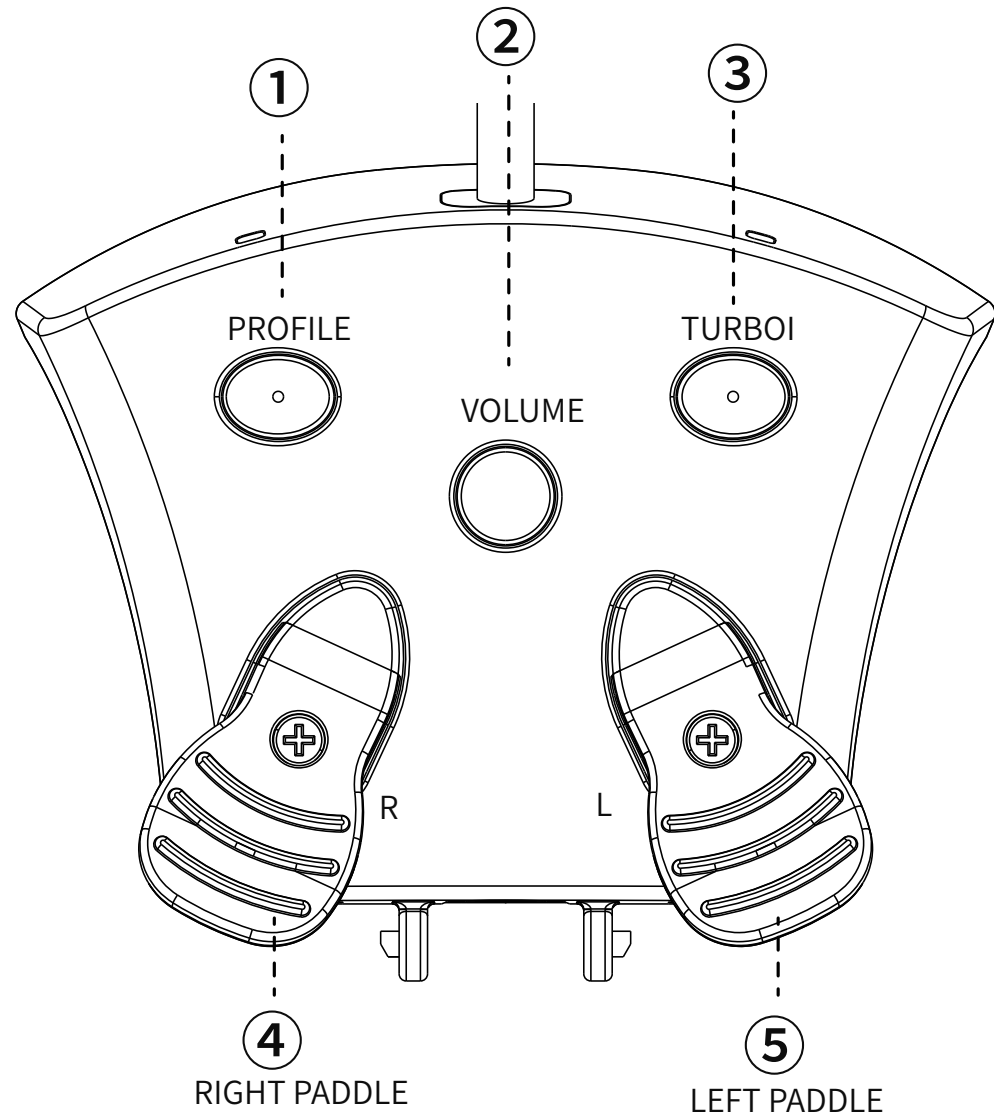
※ Real colours are based on actual goods.

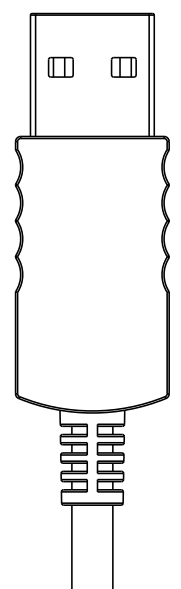
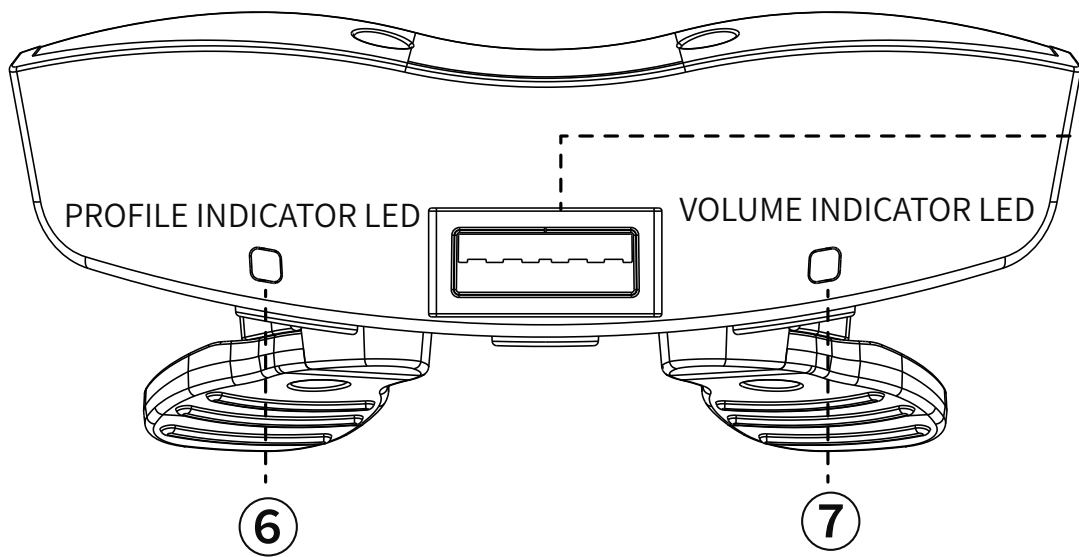
# HARDWARE

This section introduces the buttons, LED, headset port on your Magic Pack.

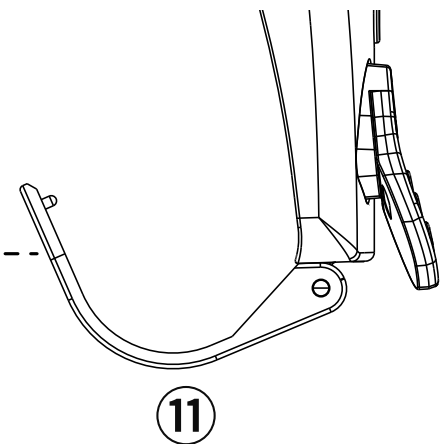
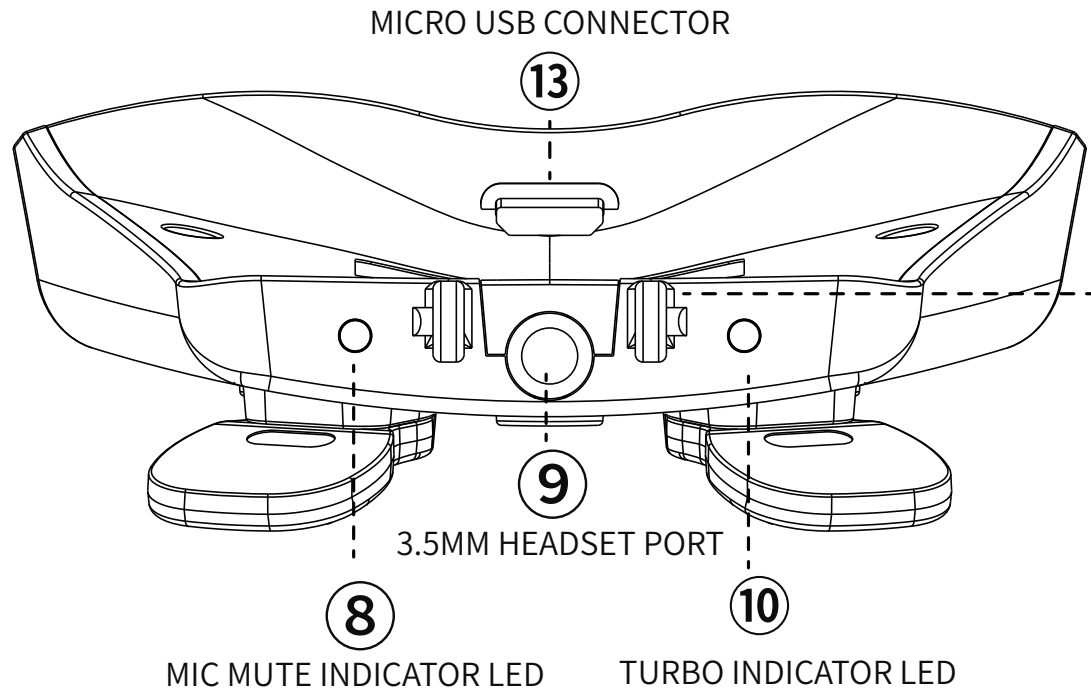
## 1. Layout

- ① Profile Button
- ② Turbo Button
- ③ Volume Button
- ④ Right Paddle
- ⑤ Left Paddle
- ⑥ Profile Indicator LED
- ⑦ Volume Indicator LED
- ⑧ Mic Mute Indicator LED
- ⑨ 3.5mm Headset port
- ⑩ Turbo Indicator LED
- ⑪ Bottom Clip
- ⑫ USB Connector to PS4 console
- ⑬ Micro USB connector





⑫  
USB CONNECTOR TO  
PS4 CONSOLE



⑪  
BOTTOM CLIP

## 2. MOD Profiles

You can set up 7 different MOD profiles and easily switch between different profiles.

Switching Profile Setting	Indicator LED
① Profile Button Hold Profile Button and push up/down on either Left or Right Analog Stick.	⑥ Profile LED 7 different colors for different profiles.

## 3. Turbo / Autofire Functions

Turbo Function allows continuous fire by holding the assigned button.

The Autofire function allows continuous fire by pressing the assigned button once, without having to hold the button. Pressing the assigned button again to stop firing.

The following 8 buttons can be set to Turbo / Autofire function: X / O / □ / △ / L1 / L2 / R1 / R2

Turbo/ Autofire Setting	Indicator LED
<p>② Turbo Button</p> <p>Turbo: Hold the Turbo button and press the button that you want to set to Turbo mode.</p> <p>Autofire: Hold the Turbo button and press the assigned button once more.</p> <p>Turbo OFF for ONE button: Hold the Turbo button and press the assigned button again once more.</p> <p>Turbo OFF for ALL button: Pressing Turbo button twice will deactivate Turbo function for ALL buttons.</p>	<p>⑬ Turbo LED</p> <p>LED is ON when Turbo/ Autofire function is ON</p> <p>LED blinks when the Turbo function is being used.</p> <p>LED is OFF when no button is assigned to Turbo/ Autofire.</p> <p>If the LED does not turn off after deactivating the Turbo functions, this means there is still another button assigned to Turbo/ Autofire.</p> <p>If you forget which buttons you have assigned, simply deactivating all buttons and do it again.</p>



## 4. Using Headset - Volume Setting and Mic Mute

### ⑨ 3.5mm headset port

3.5mm headset port is located at the bottom of Magic Pack.

\* ONLY support original PlayStation headset or CTIA standard headset.

\* CANNOT use the PS4 controller built-in audio port when using Magic Pack.

Volume Setting and Mic Mute	Indicator LED
<p>③ Volume Button</p> <p>Headset Volume: Hold the Volume button and push up/down on either Left or Right Analog Stick.</p> <p>Mute the Microphone: Hold the Volume button and press X button to mute the microphone.</p> <p>Repeat this step to unmute.</p>	<p>⑦ Volume LED</p> <p>7 Volume LED colors for different volume levels</p> <p>LED is off when the sound is muted.</p> <p>⑧ Mic Mute LED</p> <p>LED is ON when the microphone is muted.</p> <p>LED is OFF when the microphone is unmuted.</p>

## 5. Left/ Right Paddles

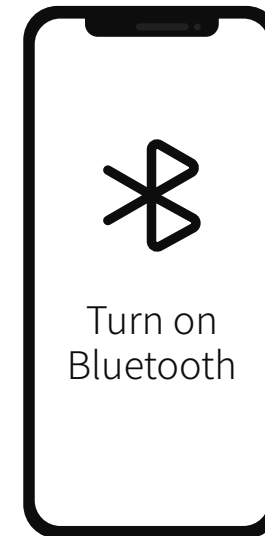
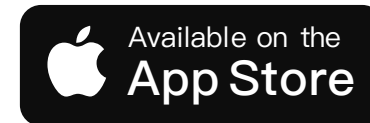
Buttons Mapping or Macro Mapping can be set by using the Magic Pack App.

# SOFTWARE

This section explains the detailed setting of the Magic Pack App.

## 1. Device Pairing

- ① Download and Install the Magic Pack app on your smartphone.
- ② Turn on Bluetooth function on your smartphone.
- ③ Insert ⑫ USB connector to PS4 console.
- ④ Open the Magic Pack app and tap SEARCH button.
- ⑤ Device named being with “Mayflash Magic Pack” should appear on the list, click on it to enter setting menu.



## 2. Profile Setting

- PROFILE NAME:** You can set a name for each profile
- SHOOTING MODE:** Functions optimized for shooting games
- MAPPING:** Buttons mapping
- JOYSTICK:** Adjust analog stick dead zone and Y axis vertical flip function
- TRIGGER:** Adjust the trigger point and sensitivity of L2/ R2 buttons
- VIRBATION:** Adjust the vibration level or turn off vibration
- MACRO:** Macro setting for Left/ Right paddles on Magic-Pack
- TURBO:** Adjust the speed of Turbo/ Autofire function



### 3. Shooting Mode

\*Tap the SAVE icon to save the changed settings into Magic Pack chipset.

Main weapon and secondary weapon need to be set separately.

**MODE:** You can set 4 different firing modes:

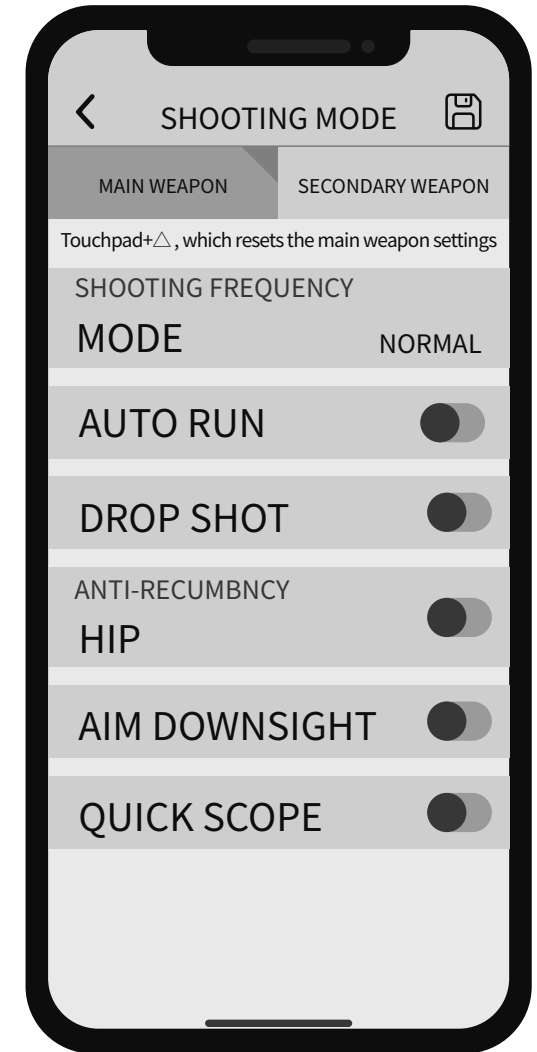
Normal/ Single shot/ Burst/ Full Auto

**AUTO RUN:** The gaming character will perform auto run by pushing the left analog stick

**DROP SHOT:** Set the drop button as drop shot

**HIP:** Adjust the anti-recoil level for HIP-firing

**AIM DOWNSIGHT:** Adjust the recoil level for ADS firing.



QUICK SCOPE: Enable Quick Scope and adjust the time to fire after the crosshairs are visible.

\* Required anti-recoil value varies with different weapons.

\* Higher value = Higher anti-recoil level.

## 4. Button Mapping

MACRO MAPPING (PACK LEFT): Enable to set macro mapping for Left Paddle. When is is disabled, Left Paddle can be mapped to single button, L2 by default.

MACRO MAPPING (PACK RIGHT): Enable to set macro mapping for Right Paddle. When is is disabled, Right Paddle can be mapped to single button, R2 by default.

Left side is the buttons you want to remap FROM.

Right side is the buttons you want to remap TO.

No remapping by default.



## 5. Joystick Modification

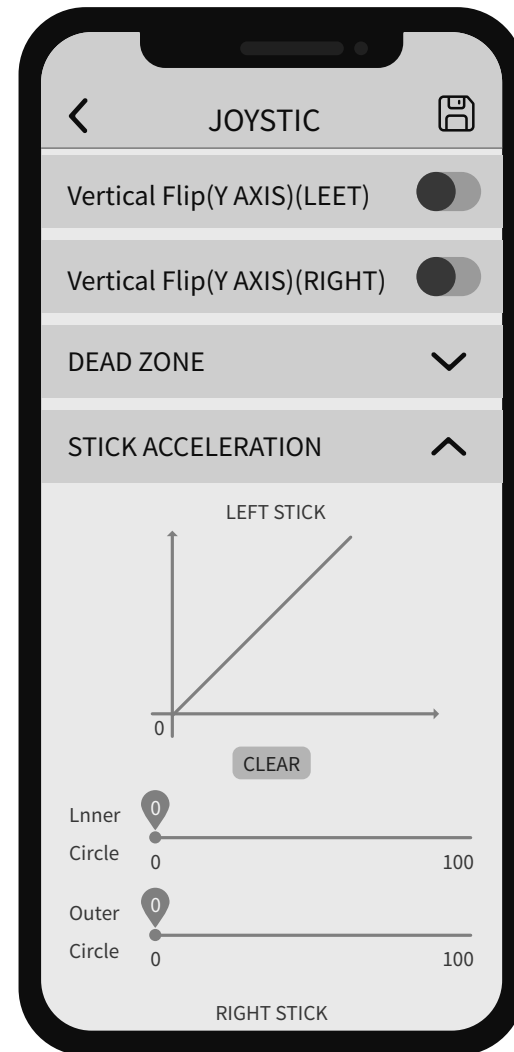
MACRO MAPPING (PACK LEFT): Enable to set macro mapping for Left Paddle. When is disabled, Left Paddle can be mapped to single button, L2 by default.

Vertical Flip(Y AXIS)(LEFT/RIGHT): Enable to flip the vertical joystick axis.

DEAD ZONE: Adjust the dead zone of the analog sticks



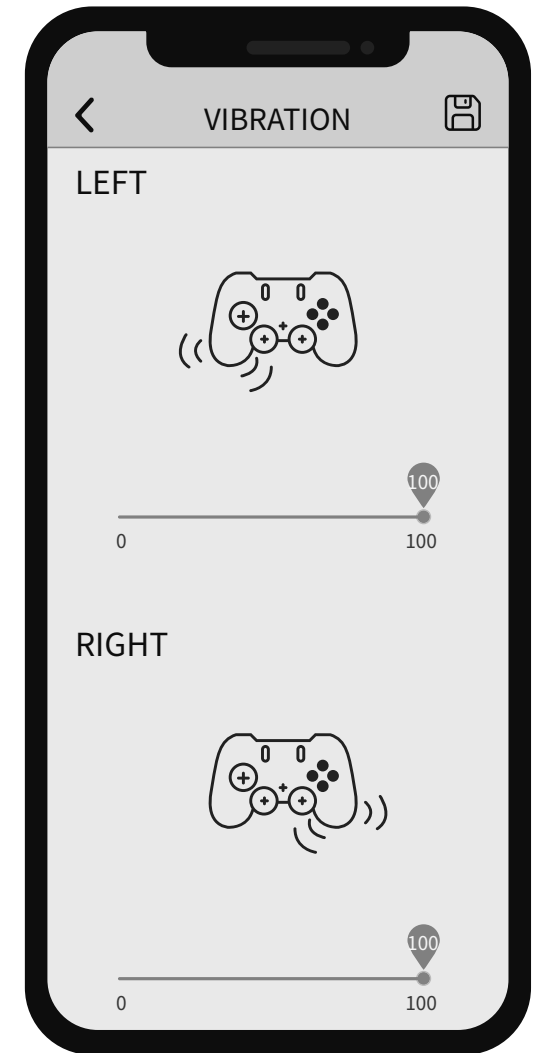
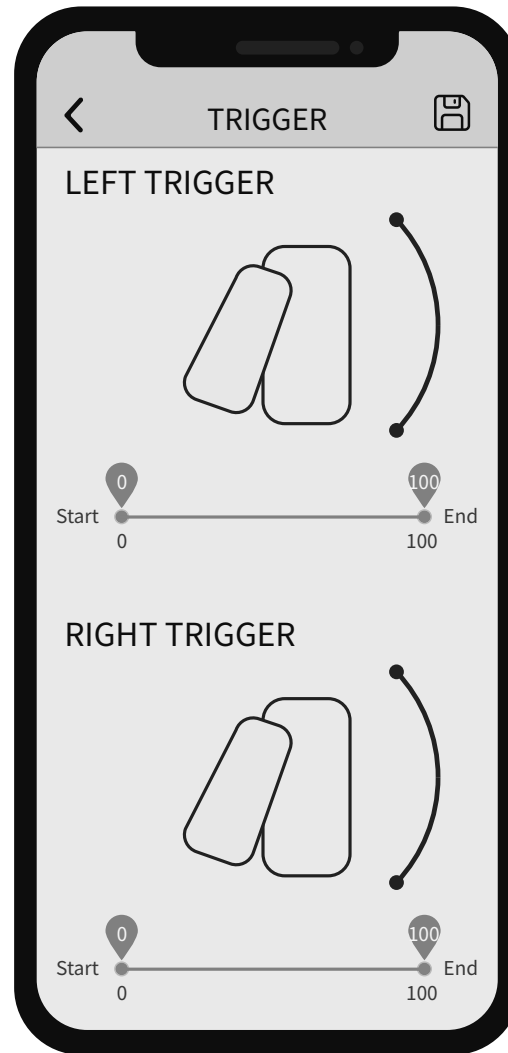
STICK ACCELERATION: Adjust the acceleration level for L/R stick. (Tap CLEAR button to clear the setting)





## 6. Trigger Modification

Adjust the Trigger starting point (sensitivity) and end point (response time) for L2/R2 buttons.



## 7. Vibration Setting

Adjust the vibration level or disable vibration function.

## 8. Marco Mapping

Set the macro functions and map up to 6 buttons.

Left Paddle

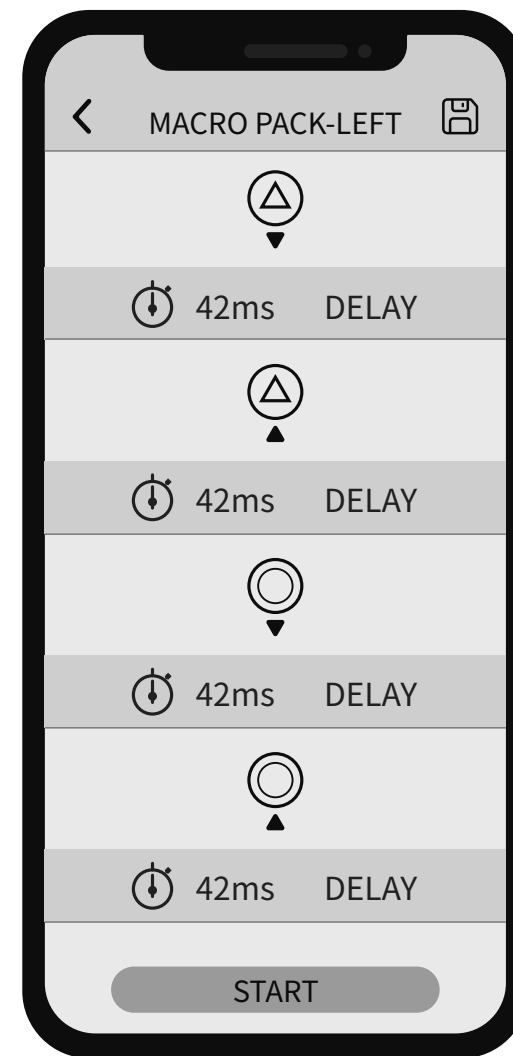
Right Paddle

TPAD UP

TPAD DOWN

TPAD LEFT

TPAD RIGHT



\*TPAD BUTTON requires turning on the TPAD Mode

## ◆ Method of Opening Touchpad Mode

### STEP1

Hold these two buttons for 2 Seconds and enter the touch pad mode.(Long press again is quit)



### STEP2

Two lights flashing, which means that the handle has successfully entered the touch pad mode.



### STEP3

Different gesture can trigger different macros.



## ◆ Macro Setting

1. Tap START button

2. Press the buttons on Dualshock4 in the order you want to press.

3. Tap SAVE button

Down-pointing ward triangle means a button is PRESSED

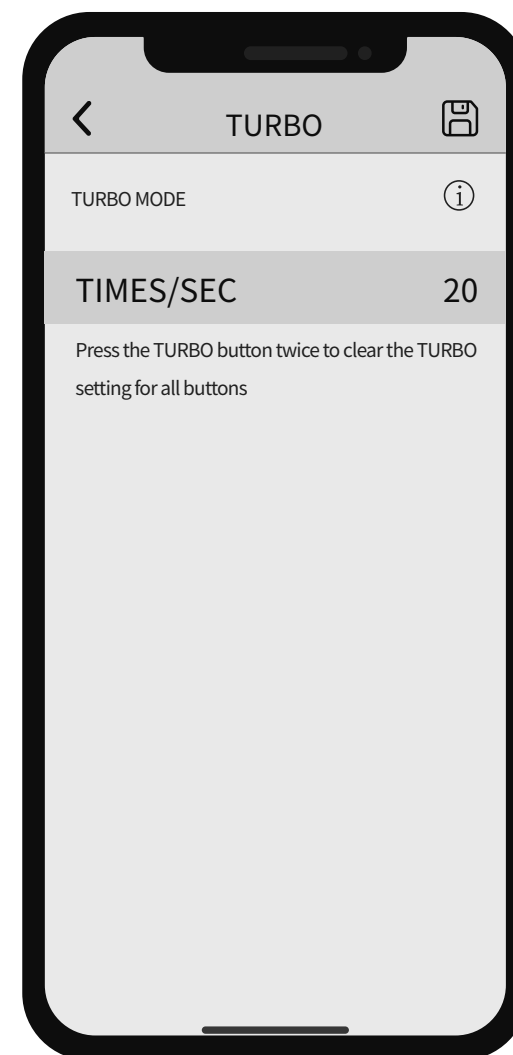
Up-pointing ward triangle means a button is RELEASED

TAP the number to adjust the delayed time between 2 actions.

## 9. Turbo Speed setting

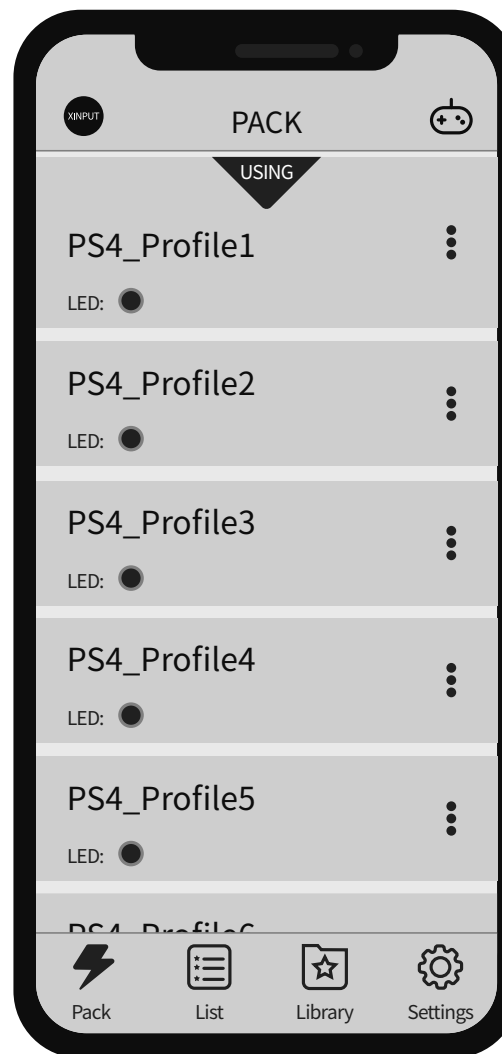
Tap the number to adjust the speed for Turbo function.

(Details of Turbo button setting please refer to the Hardware section of this user manual)

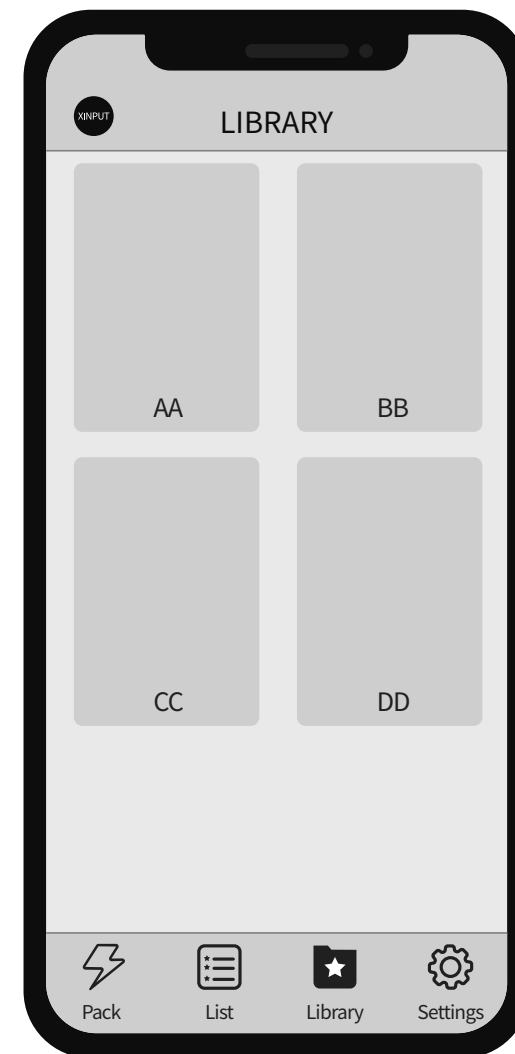


## 10. Library/ List

Access to our optimized settings for the popular games, tap on the game to download the settings into your own LIST, you can also save your own profile into the LIST by tapping the( ⋮ )icon and choose SAVE.



19



[www.mayflash.com](http://www.mayflash.com)

FCC ID:2ASVQ-MPACK

FCC WARNING:

Changes or modifications not expressly approved by the party responsible for compliance could void the user's authority to operate the equipment.

This device complies with Part 15 of the FCC Rules. Operation is subject to the following two conditions: (1) this device may not cause harmful interference, and (2) this device must accept any interference received, including interference that may cause undesired operation.

This equipment has been tested and found to comply with the limits for a Class B digital device, pursuant to Part 15 of the FCC Rules. These limits are designed to provide reasonable protection against harmful interference in a residential installation. This equipment generates, uses and can radiate radio frequency energy and, if not installed and used in accordance with the instructions, may cause harmful interference to radio communications. However, there is no guarantee that interference will not occur in a particular installation.

If this equipment does cause harmful interference to radio or television reception, which can be determined by turning the equipment off and on, the user is encouraged to try to correct the interference by one or more of the following measures:

- Reorient or relocate the receiving antenna.
- Increase the separation between the equipment and receiver.
- Connect the equipment into an outlet on a circuit different from that to which the receiver is connected.
- Consult the dealer or an experienced radio/TV technician for help.

This device complies with FCC RF radiation exposure limits set forth for an uncontrolled environment. This transmitter must not be co-located or operating in conjunction with any other antenna or transmitter



<http://www.mayflash.com>