

Walkie-talkie

T8B User Manual



This set includes 2 walkie-talkie units: these are communication devices that operate on mobile radio frequencies. They have 22(US) channels as well as a back-lit LCD screen, enabling you to communicate over several kilometers free-of-charge (up to 5miles in open areas).

Note: Please read the instructions carefully before using the equipment and retain for future reference.

Specific Recommendations

- ◆ To avoid the risk of burns, do not use the device if the aerial is damaged in any way.
 - ◆ Don not use the device in a potentially explosive setting (e.g. Around pumps, on the lower deck of a boat or around a fuel-storage installation or chemical products).
 - ◆ If traveling in a car or by bike, stop before using the device.
 - ◆ Switch off the device if on an airplane or in a hospital.
 - ◆ Never use the device in close proximity to a radio to avoid interference.
 - ◆ Remove the batteries if the device is not used for an extended period of time. Never mix used batteries with new ones.
 - ◆ Keep the transmitter and antenna at least 5cm from your face. Direct the antenna upwards and speak normally.
 - ◆ Clean the device with a damp cloth. Avoid the use of cleaning agents and solvents.
 - ◆ Do not modify the device in any way. In the event of damage occurring, ensure that the device is checked by a qualified professional.
- The device cannot be used to contact emergency services.

Functions at Glance

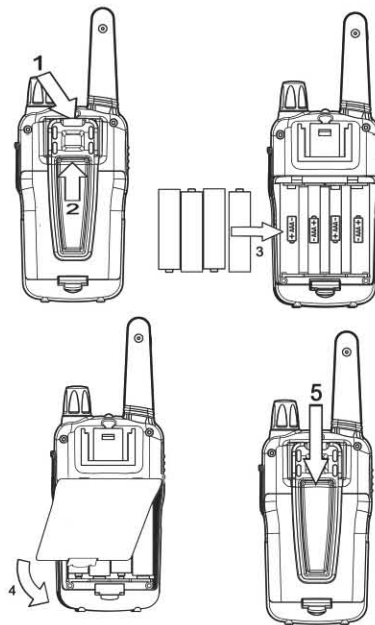


Reset: Press [☀] button power on, It can be restored to default settings.

BEFORE USE

Removing the belt clip

Before insert batteries into the device, first pull the belt clip latch away from the device.



Installing the Batteries

A. FOR USE OF NON-RECHARGEABLE BATTERIES:

1. Slid down the battery compartment cover.
2. Insert 4 x AAA Alkaline Battery (Not included)
3. Position the batteries according to the polarity marking on the battery compartment.
4. After placing batteries into correct positions, put the battery cover back on.

B. FOR USE OF RECHARGEABLE BATTERIES WITH CRADLE AND ADAPTER:

1. If your walkie-talkie comes with a cradle and wall charger, you should only use the battery pack provided to charge. It cannot charge other type rechargeable batteries.

Using the device

1. Turning the device on/off

1. Turn on: Turn the volume ON/OFF switch knob clockwise until you hear a "kacha" sound;
2. Shutdown: Turn the volume ON/OFF switch knob counterclockwise until you hear a "kacha" sound.

2. Adjusting the volume

1. Volume up: Turn the volume ON/OFF switch knob clockwise;
2. Volume reduction: Turn the volume ON/OFF switch knob counterclockwise.

3. Battery Charge Level/Low Battery Indication

The battery charge level is indicated by the number of squares present inside the battery icon on the LCD Screen.

 Battery Full

 Battery 2/3 charged

 Battery 1/3 charged

 Battery empty

When the battery charge level is low, the battery icon will flash and a beep will be heard to indicate that the batteries need to be replaced or recharged.

4. Receiving/transmitting communications:

The devices are in "Reception" mode when it is turned ON and no transmitting.

When a signal is received on the active channel, the LCD will display in reception.

When you press the **PTT** (push to talk) button, the device switches to "**Transmission**" mode.

Hold the device in a vertical position with the MIC (microphone) 3-5 cm away from your mouth. While holding the PTT button, speak into the microphone in a normal tone of voice.

Release the **PTT** button when you have finished transmitting.

For others to receive your transmission, they must be on the same channel with you.

Note:

1. The talking range depends on terrain and weather conditions. It will be affected by obstructions such as hills, bush or buildings.

2. Don't try to use two devices which are less than 1.5m (5 feet) apart. Otherwise, you may experience interference.

5. Changing Channels

Press the **MENU** button one time, the channel number will

flash on the display. Press the **up▲** /**down▼** button to changethe channel.

Press the PTT button to confirm and return to standby mode.

Note: if no button is pressed within 15 seconds during setting, the device will return to standby mode.

6. CTCSS (Continues Tone Coded Squelch System)

Press the **MENU** button twice, the current CTCSS code will flash on the display. Press the **up▲/down▼** button to change the 99 available codes.

Press the **PTT** button to confirm and return to standby mode.

License-free radio's operating on the 400-470MHZ frequency band, the device has 22(option) available radio channels. If there are many device users near you, there is a chance that some of the users are operating on the same radio channel.

When using CTCSS, a low-frequency tone (between 67-250Hz) will be transmitted along with the voice signal. There are 99 available tones to choose from.

You are free to choose one of the 99 available sub-channels. Due to filtering, these sub-channels will generally not be audible so they will not disturb the communication.

7. VOX (Hands free function)

Press the MENU button three times, the current VOX setting will flash on the display and the VOX icon will display,

Press **UP▲** button to set the VOX sensitivity level between 1 and 3 level (level 3 is the high sensitive level).

Press **down▼** button until "**OFF**" appears on the display to turn VOX OFF.

Press the **PTT** button to confirm and return to standby mode.

In VOX mode, the radio will transmit a signal when it is activated by your voice or other sound around you.

VOX Operation is not recommended if you plan to use your device in a noisy or windy environment.

Note: VOX mode will be over-ridden when you press the **PTT** button

8. Scanning for an active radio channel

Press and hold the **UP▲** button 2 seconds: The "**SCAN**" function indicator will appear on the display and the channel will scan continuously from 1 to 22. Once an active channel is found, the scanning will stop and you can listen to the transmission.

When the transmission is on the found channel stop, the scanning will resume automatically.

Note: If you press the **PTT** button while listening to a found channel, the device will go back to standby mode on the found channel.

9. Monitor

Press and hold the **DOWN▼** button about 3 seconds to active monitor.

Release the **DOWN▼** button return to standby mode.


10. Setting the Call tones

The device has 10 call tones.

Press the **MENU** button 4 times, "CA" is displayed and on the current call tone. Press the **UP▲/Down▼** button to change another call tones.

Press the **PTT** button to confirm and return to standby mode.

11. Sending a call tone

Press the  button ; the call tone will be transmitted on the setting channel.

12. Key-Tone On/Off

When a button is pressed, the unit will beep briefly.

To set the key-tone.

● Press the **MENU**- button (10) five times. "to" will be displayed.

● Press **▲** to enable (**ON**) or **▼** disable the Key Tones (**OFF**)

● Press the **PTT**- button to confirm your selection and return to the standby mode.

13. Roger Beep On/Off

After the PTT button is released, the device will send out a Roger beep to confirm that have stopped talking.

Press the **MENU** button six times; "**ro**" will be displayed.

Press the **UP▲/Down▼** button to disable the Roger beep ON/OFF.

Press The **PTT** button to confirm your selection and return to the standby mode.

14. Backlit display

Press any button except for the **MENU** button to activate the backlight of the LCD display. The backlight will light on about 5 seconds.

15. Earpiece connection

The device can be used with an earpiece (If there is an earpiece packed together with the device).

The connector is located on the top of the device.

Insert the earpiece plug into the connector (2.5mm jack).

There is a small "**PTT**" button on the earpiece that has the same function as the **PTT** button on the device.

When you use the PTT button from the earpiece, you must also use the microphone from the earpiece to talk.

Note: Do not connect other earpieces; it may damage your device.

16. Battery saving function

When the device has not been used for 6 seconds, the economy mode is automatically activated. This does not affect the reception of transmission and the standby mode is automatically re-activated as soon as a signal is detected.

17. Built-in Flashlight

Your device has a built-in flashlight that can be used in sending light signals or for our lighting needs.

18. Lock & Unlock the device

Press and hold the **MENU** button for 3 seconds to lock the device.

Press and hold the **MENU** button for 3 seconds to unlock the device.

19. Technical specifications

Frequency 462.5625MHz~467.7125MHz for USA

Channel 22 channels for USA

Number Sub-code CTCSS 99

Range Up to 5 Km in open field

Battery type 4 x AAA Alkaline/rechargeable batteries
(DC 6.0V The battery voltage: 1.5V)

Modulation type FM

Channel spacing 12.5 kHz (Narrowband)

Channel and Frequency (MHz)

USA (22CH)

Ch.	Frequency	Ch.	Frequency	Ch.	Frequency	Ch.	Frequency
1	462.5625	7	462.7125	13	467.6875	19	462.6500
2	462.5875	8	467.5625	14	467.7125	20	462.6750
3	462.6125	9	467.5875	15	462.5500	21	462.7000
4	462.6375	10	467.6125	16	462.5750	22	462.7250
5	462.6625	11	467.6375	17	462.6000		
6	462.6875	12	467.6625	18	462.6250		

Scanning Receiver

Use scan to search all channels for transmissions from 400-470MHz (only receive), the scanning step is 250kHz.

SAFETY & GENERAL INFORMATION

FCC Warning

Any Changes or modifications not expressly approved by the party responsible for compliance could void the user's authority to operate the equipment.

This device complies with part 15 of the FCC Rules. Operation is subject to the following two conditions: (1) This device may not cause harmful interference, and (2) this device must accept any interference received, including interference that may cause undesired operation.

Note: This equipment has been tested and found to comply with the limits for a Class B digital device, pursuant to part 15 of the FCC Rules. These limits are designed to provide reasonable protection against harmful interference in a residential installation. This equipment generates, uses and can radiate radio frequency energy and, if not installed and used in accordance with the instructions, may cause harmful interference to radio communications. However, there is no guarantee that interference will not occur in a particular installation. If this equipment does cause harmful interference to radio or television reception, which can be determined by turning the equipment off and on, the user is encouraged to try to correct the interference by one or more of the following measures:

- Reorient or relocate the receiving antenna.
- Increase the separation between the equipment and receiver.
- Connect the equipment into an outlet on a circuit different from that to which the receiver is connected.
- Consult the dealer or an experienced radio/TV technician for help.

Safety Information for Radios

Your wireless handheld portable transceiver contains a low power transmitter. When the talk button is pushed, it sends out radio frequency (RF) signals. The device is authorized to operate at a duty factor not to exceed 50%. In August 1996, the Federal Communications Commissions (FCC) adopted RF exposure guidelines with safety levels for handheld wireless devices.

Important

FCC RF Exposure Requirements: For body-worn operation, this radio has been tested and meets the FCC RF exposure guidelines when used with accessories supplied or designated for this product. Use of other accessories may not ensure compliance with FCC RF exposure guidelines. Use only the supplied antenna. Unauthorized antennas, modifications or attachments could damage the transmitter and may violate FCC regulations.

Normal Position

Hold the transmitter approximately 25 mm from your face and speak in a normal voice, with the antenna pointed up and away.

Shenzhen Beijia Electronic Technology Co., Ltd.

2/F, No. 20, Xinkang 2nd Road, Shatian Community, Kengzi Street, Pingshan District, Shenzhen, China