

料 號：

日 期：2023-06-09

製作版本：V1版-1D

產品名稱：JCDS335+337

需求內容：QIG

成型尺寸：100X150mm

展開尺寸：600X300mm

材 質：70p模造紙

雙面黑白印十W折

USB-C® Dual 4K
Speakerphone Dock Pro (JCDS337)
USB-C® 4K Speakerphone Dock (JCDS335)



JCDS335

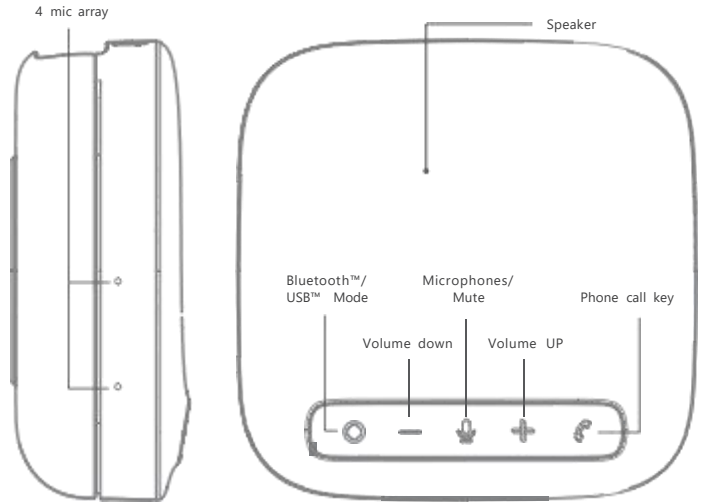


JCDS337

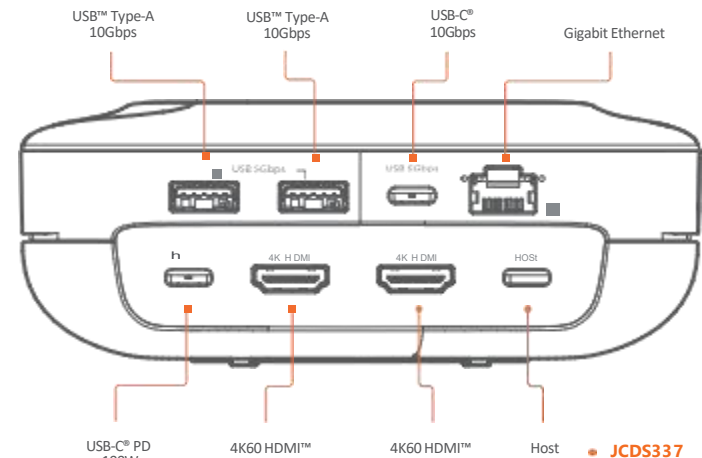
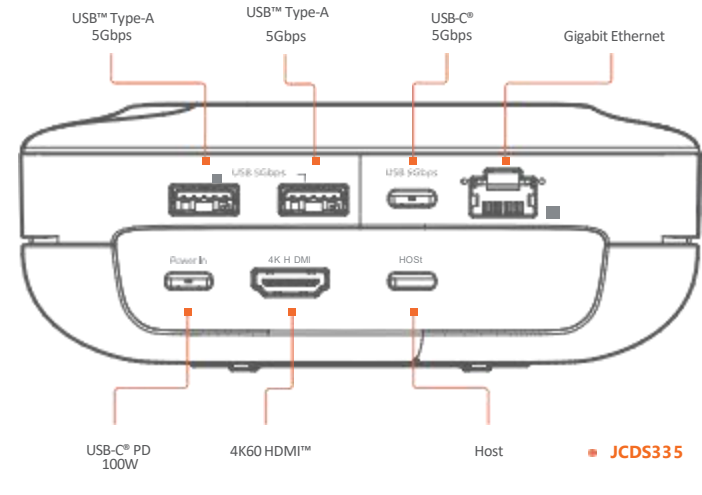
- EN : Quick Installation Guide
- DK: Startvejledning
- DE : Kurzanleitung Für Installation
- NO: Hurtiginstallasjonsveiledning
- FR : Guide D'installation Rapide
- FI: Pika-asennusopas
- IT : Guida rapida all'installazione
- HU: Gyorstelepítési útmutató
- NL : Beknopte installatiehandleiding
- RU : Руководство по быстрой установке
- ES : Guía De Instalación Rápida
- 日本語 : , (物),(ン入トール万 (F
- PT : Guia de instalação rápida
- 繁体中 : 快速安裝手冊
- SE : Snabbinstallationsguide
- 简体中 : 快速安裝手冊

• Operation and indicator light

Button	Usage	Action	Indicator Light	
	Mute	Mute on	press	Solid red
		Mute off		Solid white
	Call control	Answer call	press	Solid white
		End call	press	Solid white
		Reject call	Long press 1s	Solid white
	Music control	Play	tap	Solid white
Pause		tap	Solid white	
	Volume	Volume UP	tap	Solid white
		Volume down	tap	Solid white
	Mode switching	Bluetooth™ mode	Long press 3s	Solid blue
				Flashing blue
		USB™ mode	Long press 3s	Solid white



• Product Details



STOP!

If you have any problems with this product please contact our technical support team for assistance.

TECHNICAL SUPPORT

Customer Service : **888-988-0488**
 Technical Support : **888-689-4088**
 Email : service@j5create.com

SOPORTE TÉCNICO

Número gratuito : +1-888-988-0488
 Horas de operación :
 Lun - Vier : 10:00 - 18:00 U.S.A-E.S.T
 Correo electrónico : service@j5create.com

Kajjet Technology International B.V.

Telefoonnummer: +31-(0)6-2880 2882
 Adres: Zomerdoorn 20,
 3068 MZ Rotterdam, Netherlands
 E- mail: service@j5create.com

TECHNISCHER SUPPORT

Kostenloser Anruf bei : +1-888-988-0488
 Sprechstunden :
 Mon.-Frei. 10.00 – 18.00 U.S.A-E.S.T
 E- mail : service@j5create.com

TECHNIKAI SEGÍTSÉG

Vevőszolgálat (angol nyelven) : 888-988-0488
 Technikaitámogatás (angol nyelven) :
 888-689-4088
 Mon.-Frei. 10.00 – 18.00 U.S.A-E.S.T
 E-mail : service@j5create.com

SUPPORT TECHNIQUE

Numéro gratuit : +1-888-988-0488
 Heures d'ouverture :
 lun.-Ven. 10:00 – 18:00 U.S.A-E.S.T
 Email : service@j5create.com

亏,ニカ儿甘ホ一ト
 日本仁村仁製品甘ホ一ト法販売代理店芥提供
 寸寸寸。製品二購入後仁村問 合扣甘仁二 寸
 法。製品仁外箱仁記載。貼付仁机七「販売代理店」空
 二確認仁上、販売代理店八村問 合扣甘<芒=」。
 尚、甘ホ一ト仁受付仁玩七则仁法製品仁>「ア儿番号
 芥必要七甘寸。
 販売代理店甘ホ一トセンター仁確認法二点:
<https://jp.j5create.com/pages/contact>

TECHNICKÁ PODPORA

Zákaznická linka : 888-988-0488
 Technická podpora : 888-689-4088
 Mon.-Frei. 10.00 – 18.00 U.S.A-E.S.T
 E- mail : service@j5create.com

技術支援資訊
 美國客服專線 : +1-888-988-0488
 台灣客服專線 : +886-2-2269-5533#19
 客服時間:
 星期一至星期五10:00-18:00 (台灣時間)
 Email信箱 : service.tw@j5create.com

Note: Make sure your USB-C® port supports DisplayPort™ Alternate Mode for videos to work on HDMI™ port of Audio Dock.

繁中

JCDS335 USB-C 4K顯示多功能擴音擴充座 / JCDS337 USB-C 4K雙顯頂級多功能擴音擴充座

● 產品特色

- 專為商務會議設計、內建高品質揚聲器的多功能擴充座
- 內建四個高感度麥克風，能提供自然清晰的聲音，並同時降低背景噪音
- 支援連接一台4K60Hz HDMI™顯示器 (JCDS335)
- 支援連接MST雙4K60Hz顯示器 (JCDS337)

* macOS® 不支援MST，所以搭配MAC®電腦使用時，外接的兩台螢幕將顯示相同畫面

- 支援藍牙 5.2或USB™ 即插即用連接
- 提供高品質的音訊效果
- 數位音訊強化技術：
 - 回音消除 (AEC)，可降低背景噪音並避免麥克風接收自身揚聲器的聲音
 - 自動降噪 (ANR)，可減少背景噪音
 - 自動增益控制 (AGC)，提升音訊品質，讓通話語音更清晰
- 相容於各種視訊會議應用程式：AmazonChime™、BlueJeans™、Cisco®、Facebook™、Messenger、Google Meet™、GoToMeeting®、Microsoft Teams™、Skype™、Skype™ for Business、Slack™、Zoom™等

■ 系統需求

- 連接方式：藍牙 5.2或USB™連接，符合 UAC1.0標準
- 支援Windows® 11/10、macOS®、iOS®、Android™或其他搭載標準UAC驅動程式的作業系統
- iOS® -iPhone® 只能透過藍牙連接，iPad®可透過藍牙和USB-C® 連接
- Android™ 裝置可透過藍牙™ 或 USB-C® 連接

■ NCC警語

取得審驗證明之低功率射頻器材，非經核准，公司、商號或使用均不得擅自變更頻率、加大功率或變更原設計之特性及功能。低功率射頻器材之使用不得影響飛航安全及干擾合法通信；經發現有干擾現象時，應立即停用，並改善至無干擾時方得繼續使用。前述合法通信，指依電信管理法規定作業之無線電通信。低功率射頻器材須忍受合法通信或工業、科學及醫療用電波輻射性電機設備之干擾。

■ 規格參數

連接	即插即用 (不需要驅動程序) USB-C或藍牙
對接端口	2 * HDMI 2.0 接口 (3840*2160@60Hz, 1920*1080@60Hz , 800*600@60Hz, 支持 MST,SST) 2 * USB 3.2 Gen 2 USB-A 接口 (10 Gbps) 1 * USB 3.2 Gen 2 USB-C port (10 Gbps) 1 * RJ45 (1000Mbps) 1 * USB-C PD 接口 (PD 100 W) 1 * USB-C 上行端口 (連接上行設備)
藍牙	即插即用 (不需要驅動程序) USB-C或藍牙
喇叭	1* 5 W 頻率響應: 150Hz-20KHz
麥克風	4* 全指向性ECM Φ6mmx2.7mm 頻率響應: 20Hz-8KHz 拾音範圍: 3米/9.8英尺
控制	觸摸鍵 - 增大音量 - 音量減小 - 麥克風靜音/取消靜音 - 開啟/關閉 - 藍牙/USB模式開關

■ 包裝內容

- 1 *音頻拓展塢
- 1 * USB C TO C連接線
- 1 *使用說明書

限用物質含有情況標示聲明書

Declaration of the Presence Condition of the Restricted Substances Marking

設備名稱： USB-C 4K顯示多功能擴音擴充座	型號 (型式) : JCDS335
USB-C 4K雙顯頂級多功能擴音擴充座	JCDS337
Equipment name	Type designation (Type)

單元 U nit	限用物質及其化學符號 Restricted substances and its chemical symbols					
	鉛 Lead (Pb)	汞 Mercury (Hg)	鎘 Cadmium (Cd)	六價鉻 Hexavalent chromium(Cr ⁶⁺)	多溴聯苯 Polybrominated biphenyls(PBB)	多溴二苯醚 Polybrominated diphenyl ethers (PBDE)
電路板	○	○	○	○	○	○
外殼	○	○	○	○	○	○
線材	○	○	○	○	○	○
配件	○	○	○	○	○	○

備考1. “超出0.1 wt %”及“超出0.01 wt %”係指限用物質之百分比含量超出百分比含量基準值。
Note 1: “Exceeding 0.1 wt %” and “exceeding 0.01 wt %” indicate that the percentage content of the restricted substance exceeds the reference percentage value of presence condition.
備考2. “○”係指該項限用物質之百分比含量未超出百分比含量基準值。
Note 2: “○” indicates that the percentage content of the restricted substance does not exceed the percentage of reference value of presence.
備考3. “-”係指該項限用物質為排除項目。
Note 3: The “-” indicates that the restricted substance corresponds to the exemption.

BSMI

This equipment is in compliance with the requirements of the following regulations: CNS13438 and NCC regulations: LP00 02

FCC Information

This equipment has been tested and found to comply with the limits for a Class B digital device, pursuant to part 15 of the FCC Rules. These limits are designed to provide reasonable protection against harmful interference in a residential installation. This equipment generates, uses and can radiate radio frequency energy and, if not installed and used in accordance with the instructions, may cause harmful interference to radio communications. However, there is no guarantee that interference will not occur in a particular installation. If this equipment does cause harmful interference to radio or television reception, which can be determined by turning the equipment off and on, the user is encouraged to try to correct the interference by one or more of the following measures:

- Reorient or relocate the receiving antenna.
- Increase the separation between the equipment and receiver.
- Connect the equipment into an outlet on a circuit different from that to which the receiver is connected.
- Consult the dealer or an experienced radio/TV technician for help.

This device complies with part 15 of the FCC Rules. Operation is subject to the following two conditions: (1) This device may not cause harmful interference, and (2) this device must accept any interference received, including interference that may cause undesired operation. Changes or modifications not expressly approved by the party responsible for compliance could void the user's authority to operate this device.

LIMITED WARRANTY

j5create offers a limited 2-year warranty. User's wear & tear damage is not included. The user shall call or email j5create customer service with the defect information of the product and obtain a return authorization number. Users are responsible for one-way return freight cost and we will take care of one-way freight back. In order to obtain a return authorization number, users should have the following information handy when calling or emailing the service team:

- (i) a copy of the original purchase invoice to verify your warranty
- (ii) a product serial number
- (iii) a description of the problem
- (iv) customer's name, address, and telephone number

j5create does not warrant that the operation of the product will be uninterrupted or error-free. j5create is not responsible for damage arising from failure to follow instructions relating to the product's use. This warranty does not apply to: (a) consumable parts, unless damage has occurred due to a defect in materials or workmanship; (b) cosmetic damage, including but not limited to scratches, dents, and broken plastic on ports; (c) damage caused by use with non-j5create products; (d) damage caused by natural disasters; (e) damage caused by human misuse (lost, accident, abuse, misuse or other external causes); (f) damage caused by operating the product outside the permitted or intended uses described by j5create; (g) damage caused by service (including upgrades and expansions) performed by anyone who is not a representative of j5create or aj5create Authorized Service Provider; (h) a product or part that has been modified to alter functionality or capability without the written permission of j5create; or (i) if any j5create serial number on the product has been removed or defaced. If such a situation occurs, j5create will calculate the cost of materials and repair for your reference. This warranty is given by j5create in lieu of any other warranties expressed or implied.

LIMITATION OF WARRANTY

THIS WARRANTY GIVES YOU SPECIFIC LEGAL RIGHTS, AND YOU MAY HAVE OTHER RIGHTS THAT VARY FROM STATE TO STATE (OR BY COUNTRY OR PROVINCE). OTHER THAN AS PERMITTED BY LAW, J5CREATE DOES NOT EXCLUDE, LIMIT OR SUSPEND OTHER RIGHTS YOU MAY HAVE, INCLUDING THOSE THAT MAY ARISE FROM THE NONCONFORMITY OF A SALES CONTRACT. FOR A FULL UNDERSTANDING OF YOUR RIGHTS YOU SHOULD CONSULT THE LAWS OF YOUR COUNTRY, PROVINCE OR STATE. TO THE EXTENT NOT PROHIBITED BY LAW IN YOUR STATE, PROVINCE, JURISDICTION OR COUNTRY, THIS WARRANTY AND THE REMEDIES SET FORTH ARE EXCLUSIVE AND IN LIEU OF ALL OTHER WARRANTIES, REMEDIES AND CONDITIONS, WHETHER ORAL, WRITTEN, STATUTORY, EXPRESS OR IMPLIED.

J5CREATE'S RESPONSIBILITY FOR MALFUNCTIONS AND DEFECTS IN HARDWARE AND/OR SOFTWARE IS LIMITED TO REPAIR OR REPLACEMENT AS SET FORTH IN THIS WARRANTY. J5CREATE'S LIABILITY DOES NOT EXTEND BEYOND THE REMEDIES PROVIDED FOR IN THIS LIMITED WARRANTY, AND J5CREATE DOES NOT ACCEPT LIABILITY FOR CONSEQUENTIAL OR INCIDENTAL DAMAGES, FOR THIRD-PARTY CLAIMS AGAINST YOU FOR DAMAGES, FOR PRODUCTS NOT BEING AVAILABLE FOR USE, OR FOR LOST OR DAMAGED DATA OR SOFTWARE. J5CREATE DOES NOT WARRANT THAT THE OPERATION OF ANY J5CREATE PRODUCT WILL BE UNINTERRUPTED OR ERROR FREE.

J5CREATE'S LIABILITY IN ANY SITUATION WILL BE NO MORE THAN THE AMOUNT YOU PAID FOR THE SPECIFIC PRODUCT THAT IS THE SUBJECT OF A CLAIM. THIS IS THE MAXIMUM AMOUNT FOR WHICH WE ARE RESPONSIBLE.

EXCEPT FOR THE EXPRESS WARRANTIES CONTAINED IN THIS WARRANTY AND TO THE EXTENT NOT PROHIBITED BY LAW, J5CREATE DISCLAIMS ALL OTHER WARRANTIES AND CONDITIONS, EXPRESS OR IMPLIED, STATUTORY OR OTHERWISE, INCLUDING WITHOUT LIMITATION, WARRANTIES OF MERCHANTABILITY, MERCHANTABLE QUALITY AND FITNESS FOR A PARTICULAR PURPOSE AND WARRANTIES AND CONDITIONS AGAINST HIDDEN OR LATENT DEFECTS. SOME STATES, PROVINCES, JURISDICTIONS OR COUNTRIES DO NOT ALLOW DISCLAIMERS OF IMPLIED WARRANTIES AND CONDITIONS, SO THIS DISCLAIMER MAY NOT APPLY TO YOU.

TO THE EXTENT SUCH WARRANTIES AND CONDITIONS CANNOT BE DISCLAIMED UNDER THE LAWS OF THE UNITED STATES, CANADA (AND ITS PROVINCES) OR OTHERWISE, J5CREATE LIMITS THE DURATION AND REMEDIES OF SUCH WARRANTIES AND CONDITIONS TO THE DURATION OF THIS EXPRESS LIMITED WARRANTY AND, AT J5CREATE'S OPTION, REPAIR OR REPLACEMENT SERVICES. SOME STATES, PROVINCES, JURISDICTIONS OR COUNTRIES MAY NOT ALLOW LIMITATIONS ON HOW LONG AN IMPLIED WARRANTY OR CONDITION MAY LAST, SO THE LIMITATION DESCRIBED ABOVE MAY NOT APPLY TO YOU.

NO WARRANTIES OR CONDITIONS, WHETHER EXPRESS OR IMPLIED, WILL APPLY AFTER THE LIMITED WARRANTY PERIOD HAS EXPIRED. SOME STATES, PROVINCES, JURISDICTIONS OR COUNTRIES DO NOT ALLOW LIMITATIONS ON HOW LONG AN IMPLIED WARRANTY OR CONDITION LASTS, SO THIS LIMITATION MAY NOT APPLY TO YOU.

WARRANTY SUPPORT ONLY APPLIES WHEN THE COVERED PRODUCT IS LOCATED WITHIN THE COUNTRY IN WHICH JSCREATE ORIGINALLY SOLD THE SYSTEM, AS REFLECTED IN JSCREATE'S RECORDS. IF YOU NEED SUPPORT FOR THE PRODUCT OUTSIDE OF THE COUNTRY OF ORIGIN (FOR EXAMPLE, WHILE TRAVELING, OR IF THE SYSTEM HAS BEEN RELOCATED TO A NEW COUNTRY), THEN JSCREATE MAY OFFER YOU OTHER SUPPORT OPTIONS FOR AN ADDITIONAL CHARGE.

For more information please visit our website at <http://www.j5create.com>

Copyright© 2023j5create. All rights reserved. All trade names are registered trademarks of their respective owners. Features and specifications are subject to change without notice. Product may not be exactly as shown in the diagrams.

USB-C and USB are trademarks of USB Implementers Forum, Inc., its affiliates or its respective owners, registered or used in many jurisdictions worldwide. HDMI is a trademark of HDMI Licensing Administrator, Inc., its affiliates or its respective owners, registered or used in many jurisdictions worldwide. Bluetooth is a trademark of Bluetooth SIG, Inc., its affiliates or its respective owners, registered or used in many jurisdictions worldwide. Windows, Skype and Microsoft are trademarks of Microsoft Corp., its affiliates or its respective owners, registered or used in many jurisdictions worldwide. macOS, iOS, and iPad are trademarks of Apple Inc., its affiliates or its respective owners, registered or used in many jurisdictions worldwide. Android and Google Meet are trademarks of Google LLC, its affiliates or its respective owners, registered or used in many jurisdictions worldwide. Cisco is a trademark of Cisco Systems, Inc., its affiliates or its respective owners, registered or used in many jurisdictions worldwide. Zoom is a trademark of Zoom Video Communications, Inc., its affiliates or its respective owners, registered or used in many jurisdictions worldwide. BlueJeans is a trademark of Blue Jeans Network, Inc., its affiliates or its respective owners, registered or used in many jurisdictions worldwide. Amazon Chime is a trademark of Amazon Services LLC, its affiliates or its respective owners, registered or used in many jurisdictions worldwide. GoToMeeting is a trademark of LogMeIn, Inc., its affiliates or its respective owners, registered or used in many jurisdictions worldwide. Slack is a trademark of Slack Technologies, Inc., its affiliates or its respective owners, registered or used in many jurisdictions worldwide. Other trademarks and trade names may be used in this document to refer to either the entities claiming the marks and/or names or their products and are the property of their respective owners. All company, product and service names used are for identification purposes only. Use of these names, logos, and brands does not imply endorsement. We disclaim any interest in the marks of others.

RoHS