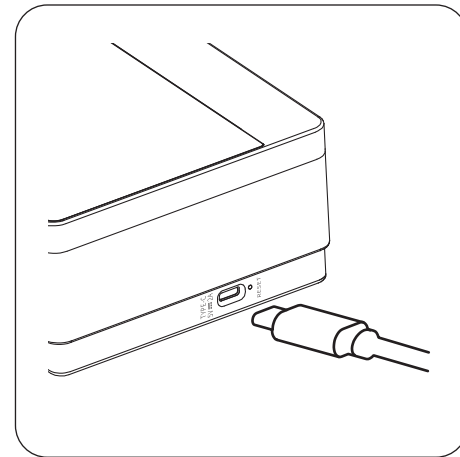


P780BT

HVIN:P780

Quick Start Guide

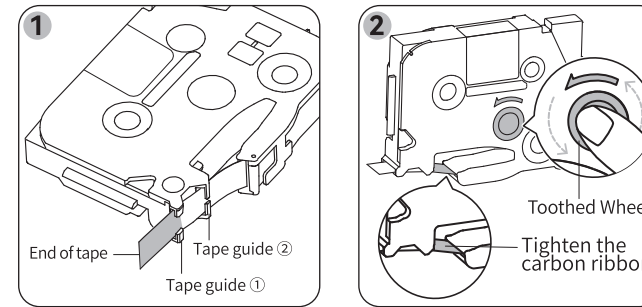
1



English Charging until the power indicator doesn't flash (fully charged).

Deutsch Laden Sie die Lithiumbatterie vor der ersten Verwendung vollständig auf.

2



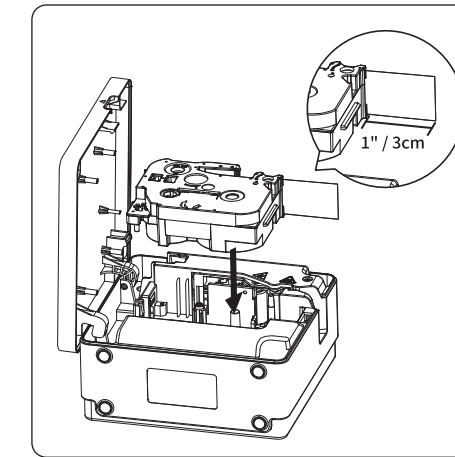
English 1.Pull the tape out through the tape guides about 1" (3cm) .

2.Rotate the toothed wheel until it's tightened.

Deutsch 1.Ziehen Sie das Ende des Bandes etwa 3cm (1") durch die Bandführungen heraus.

2.Drehen Sie das Zahnrad, bis es festsetzt.

3



English Install the tape and pull out a section of the label about 1" (3cm) from the paper outlet.

Deutsch Installieren Sie die Schriftbänder. Dann Ziehen Sie einen Abschnitt des Etiketts etwa 3 cm (1") vom Papierauslass entfernt heraus.

Print from Your Computer

Drucken auf einem Computer

4



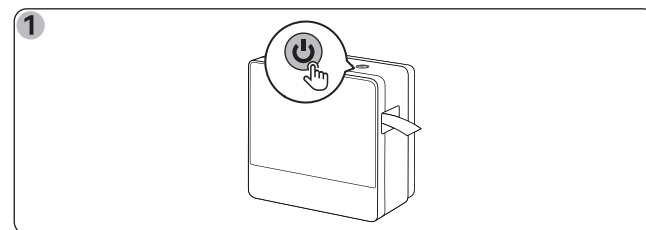
English Download "Labelife" Label Editor. Note: the spelling of the [labelife] . There is ONLY ONE "L" in the middle. Labelife is FREE software!

Deutsch Laden Sie Etiketten-Editor "Labelife" herunter. Beachten Sie die Schreibweise des [labelife]. Es gibt NUR EIN "L" in der Mitte. Labelife ist eine KOSTENLOSE Software!

Print from Your Mobile Device

Drucken auf einem mobilen Gerät

5



English 1.Turn on the printer.

Deutsch 1.Schalten Sie den Drucker an



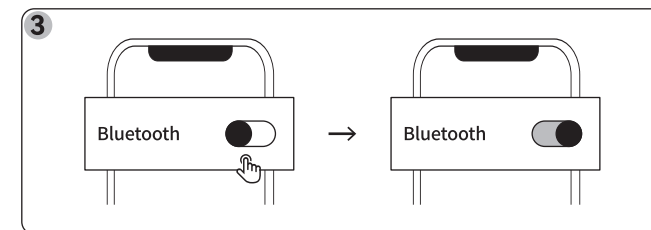
English 2.Scan to download App.

Deutsch 2.Scannen Sie bitte, um die App herunterzuladen

Print from Your Mobile Device

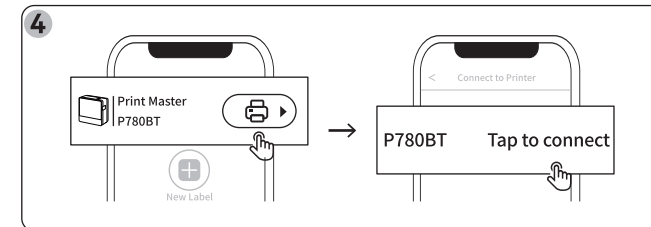
Drucken auf einem mobilen Gerät

6



English 3.Turn on Bluetooth from phone settings.

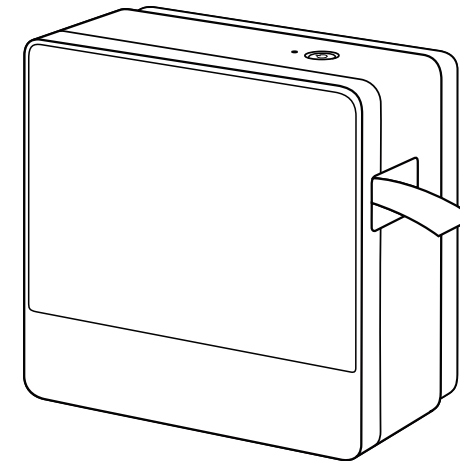
Deutsch 3.Aktivieren Sie Bluetooth in den Telefoneinstellungen.



English 4.Connect the printer via Bluetooth in the Print Master App. (Enable GPS if you are using an Android device)

Deutsch 4.Verbinden Sie den Drucker über Bluetooth in der Print Master App. (Aktivieren Sie GPS, wenn Sie ein Android-Gerät verwenden)

Specification



Model	P780BT
Tape Width	Available widths: 6mm, 9mm, 12mm, 18mm, 24mm
Max Print Width	9mm
Print Technology	Thermal transfer
Print Resolution	180 *180dpi
Power Supply	Lithium battery (1200mAh)
Item Size	135(w)x130(d)x67(h)mm
Supported Operating Methods	Mobile Device/Computer

FCC Warning statement

This device complies with part 15 of the FCC Rules. Operation is subject to the following two conditions:(1) This device may not cause harmful interference, and (2) this device must accept any interference received, including interference that may cause undesired operation.

Any Changes or modifications not expressly approved by the party responsible for compliance could void the user's authority to operate the equipment.

This equipment has been tested and found to comply with the limits for a Class B digital device, pursuant to part 15 of the FCC Rules. These limits are designed to provide reasonable protection against harmful interference in a residential installation. This equipment generates uses and can radiate radio frequency energy and, if not installed and used in accordance with the instructions, may cause harmful interference to radio communications. However, there is no guarantee that interference will not occur in a particular installation. If this equipment does cause harmful interference to radio or television reception, which can be determined by turning the equipment off and on, the user is encouraged to try to correct the interference by one or more of the following measures:

- Reorient or relocate the receiving antenna.
 - Increase the separation between the equipment and receiver.
 - Connect the equipment into an outlet on a circuit different from that to which the receiver is connected.
 - Consult the dealer or an experienced radio/TV technician for help.
- FCC RF exposure statement:
The device has been evaluated to meet general RF exposure requirement. The device can be used in portable exposure condition without restriction.

IC Warning statement

This device contains licence-exempt transmitter(s)/receiver(s) that comply with Innovation, Science and Economic Development Canada's licence-exempt RSS(s). Operation is subject to the following two conditions:

- 1.This device may not cause interference.
- 2.This device must accept any interference, including interference that may cause undesired operation of the device. L' émetteur/récepteur exempt de licence contenu dans le présent appareil est conforme aux CNR d' Innovation, Sciences et Développement économique Canada applicables aux appareils radio exempts de licence. L' exploitation est autorisée aux deux conditions suivantes:
 - 1.L' appareil ne doit pas produire de brouillage;
 - 2.L' appareil doit accepter tout brouillage radioélectrique subi, même si le brouillage est susceptible d' en compromettre le fonctionnement.

IC RF exposure statement:
The device has been evaluated to meet general IC RF exposure requirement. The device can be used in portable exposure condition without restriction.
IC Déclaration d'exposition aux RF:
L'appareil a été évalué pour répondre aux exigences générales d'exposition aux RF d'IC. L'appareil peut être utilisé dans des conditions d'exposition portable sans restriction.