

标识	版本号	处数	修改内容	日期
1	A1	1	修改了FCC认证信息	2021/01/05
2	A2	1	删除电池容量	2021/01/21
3				

480 mm


①
96 mm

②
126 mm

正面

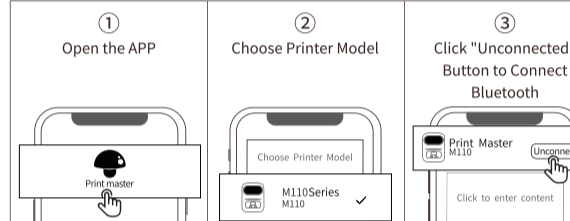
05. Search Print master on App Store or Google Play to Get the App

1. Search "Print master" on APP Store or Google Play to get the app. 2. Or please scan the QR Code to download the App.



Print master

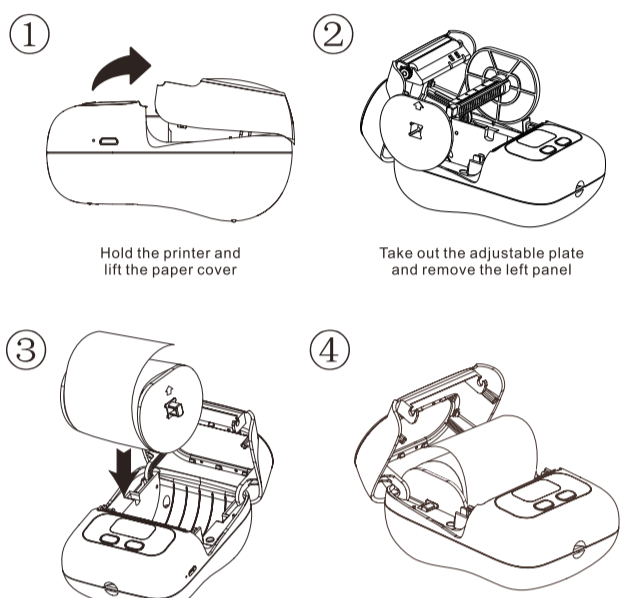
Three Steps to Connect App



Note: Please select the correct print template to match the label size before edit.

— 06 —

06. Installing the Paper Roll



Put in the paper roll (The print side should be below) and push it to the right (Dividing ruler should be above; Note the position of the paper roll device as shown)

Aim the adjustable plate at both slots and slowly put into the paper bin.

— 07 —

07. Product Warranty Description

Thank you for choosing the label printer products produced by our company.

① We will provide customers with reliable "replacement/return" support during the one-year warranty period from the date of purchase.
② Please keep the warranty card in a safe place so that you can read it when needed.

08. FCC Caution

This device complies with part 15 of the FCC Rules. Operation is subject to the following two conditions:
(1) This device may not cause harmful interference, and (2) this device must accept any interference received, including interference that may cause undesired operation.
Any Change or modifications not expressly approved by the party responsible for compliance could void the user's authority to operate the equipment.
Note: This equipment has been tested and found to comply with the limits for a Class B digital device, pursuant to part 15 of the FCC Rules. These limits are designed to provide reasonable protection against harmful interference in a residential installation. This equipment generates uses and can radiate radio frequency energy and, if not installed and used in accordance with the instructions, may cause harmful interference to radio communications. However, there is no guarantee that interference will not occur in a particular installation. If this equipment does cause harmful interference to radio or television reception, which can be determined by turning the equipment off and on, the user is encouraged to try to correct the interference by one or more of the following measures:
-Reorient or relocate the receiving antenna.
-Increase the separation between the equipment and receiver.
-Connect the equipment into an outlet on a circuit different from that to which the receiver is connected.
-Consult the dealer or an experienced radio/TV technician for help.
*RF warning for Portable device:
The device has been evaluated to meet general RF exposure requirement.
The device can be used in portable exposure condition without restriction.

— 08 —

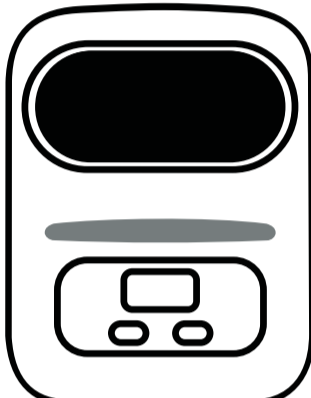
09. Warranty/Maintenance Card

Replace Return

User Information	Name:	Gender:	Phone:
	Address:		
Product Information	Date of purchase:		
	Product order number:		
	Product serial number:		
Reason for Return:	Fault description:		

— 09 —

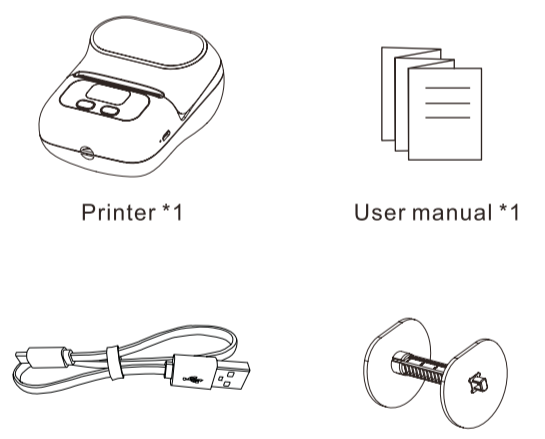
User Manual



Please read this manual carefully before using this product and store it properly.

背面

01. Inside Box




Printer *1 User manual *1

USB data wire *1 Adjustable plate *1

If anything is missing, please contact the supplier.

— 01 —

02. Product Description



① Paper Exit
② Screen
③ Power Button
④ Feed Button
⑤ Rope Hole
⑥ USB
⑦ Reset Hole

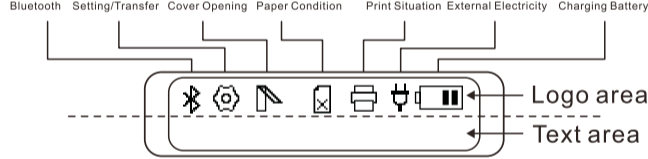
Turn On/Off (1) Press Power Button for 2 seconds to turn on the printer.
(2) To turn it off, please press the Power Button for 2 seconds.

Feed: (1) Label paper: Press Feed Button to feed the tape to the proper place and get ready for printing next tape.
(2) Continuous paper: Press Feed Button to keep paper feeding, it will stop when you let go of the button.

System Setting: (1) Press Power Button for 1 second to switch to the setting interface.
(2) Press Feed Button for 1 second, scroll option list and select by pressing Power Button.
(3) Press Power Button for 2 seconds to go back to the main page.

— 02 —

03. Screen Information



Bluetooth §
When printer connects to Bluetooth, this logo will light up. This logo will flash when the data is transferring.

Setting/Transfer @
When you are using USB wire, this logo will be shown as: If you press Power Button for a short time, it will be switched to Setting Mode, the logo will be shown as Setting Mode @.

Cover Opening #
It indicates that the paper cover is opened or not closed correctly. A message will appear, stating that the paper cover is opened.

Paper Condition ¶
If the paper roll is not installed correctly, or there is insufficient paper, this logo will light up. A message will appear, stating that there is no paper. When the paper is detected, it will give you a confirmation so that you are able to proceed.

Print Condition ☹
It will light up while the printer is printing or feeding.

External Electricity ¶
It will light up when the printer is connected to a power source.

— 03 —

Charging Battery ☑
Please charge your printer when the power display begins to flash.

Text Area ¶
This area shows related text information.

Screen setting

Options	Parameter
Language	English, Chinese, Japanese, Korean, Polish, Italian, Arabic, German, French, Portuguese, Spanish
Print concentration	1(Lightest), 2, 3, 4(Light), 5, 6(Normal), 7, 8, 9, 10(Thick), 11, 12, 13, 14, 15(Thickest)
Print speed	1(Slowest), 2(Slow), 3(Normal), 4(Fast), 5(Fastest)
Paper type	Continuous paper, Interstitial paper, Black mark label.
Automatic shutdown	5min, 15min, 30min, 1h, 2h, 4h, 8h, 24h. No shutdown
Restore settings	Press power button to restore
Firmware version	Display Firmware version
Device address	Display device address

Screen hint

Content	Condition
Shutdown...	Battery lower than 1%
Printing...	Printing regularly
Feeding...	Press Feed button
Overheated please wait...	Print head is overheated
No paper detected...	No paper in the bin or paper is installed incorrectly
Cover opened...	The paper cover is opened

— 04 —

04. Device Parameters

Hardware	Parameter
Name:	Smart label printer
Model:	M110
Print technology:	Dye-Sub Thermal
Maximum print width:	26.50mm
Type of tape:	Continuous paper, Interstitial paper, Black mark label.
Label size:	37mm X 65mm (Max width X Max diameter)
Print speed:	20-45mm/s (variable, level 1-15)
Print concentration:	variable, level 1-15
Print resolution:	203 dpi
Life of print head:	50KM
Connection type:	Bluetooth 4.0
Power supply:	Micro USB
Printer size:	4.5 X 3.4 X 2.5in.
Input:	5V=2A
Power supply mode:	Micro USB
Operating system:	Android
OS:	iOS
Resolution set:	ESC/POS
Bar code:	1D bar code & 2D bar code
Operating temperature:	0°C - 50°C
Storage temperature:	-20°C - 60°C
Operating humidity:	20% - 85%
Storage humidity:	5% - 95% (Non-condensation)

— 05 —

除非另有说明, 否则公差按下表:				产品型号	
尺寸标注	CLASS A	CLASS B	CLASS C	M110-外贸中性英文版	
<6.0	±0.5	±1	±2	<div style="display: flex; justify-content: space-between;"> <div style="width: 40%;"> <p>名称: 说明书</p> <p>料号: 30400300227</p> <p>版本号: A2</p> <p>比例: 1:1</p> </div> <div style="width: 40%;"> <p>材料: 128g双铜版纸</p> <p>颜色: 第 1 张 共 1 张</p> </div> </div>	
6.0~30.0	±0.5	±1	±2		
30~120	±0.5	±1	±2		
120~400	±0.5	±1	±2		
400~1000	±0.5	±1	±2		
设计	乐晓凯20210121			名称	说明书
确认	乐星20210121			料号	30400300227
审核	彭理艳20210121			版本号	A2
				比例	1:1
				材料	128g双铜版纸
				颜色	第 1 张 共 1 张
				单位	mm
				图幅	第 1 张 共 1 张
				第三角度投影	

