



DOGG Catcher Dual E-Caller

Customer Service: 1-800-523-2395 www.primos.com

Catalogue

1.Important Note	3
1-1 Introduction	3
1-2 Speaker	3
1-3 Remote.....	4
2 Quick Start Guide	4
2-1 Power Button Guide.....	5
2-2 Pairing Function	5
2-3 Custom Sounds	5
2-4 Favorite Sounds.....	5
2-5 Playing Sounds	6
3 Settings	6
3-1 Sound settings.....	6
3-2 Display settings	6
3-3 Decoy settings.....	6
3-4 Device info	6
3-5 Hotkey setting.....	7
3-6 Dogg power off.....	7
4 Field Placement	7
5 Caring For Your Caller	7
6 Cleaning The Unit	8
7 Trouble Shooting	8
8 Important	8
9 Customer Service	9
Warning.....	9
Modification Warning	9
Operating Temperature	9
10 FCC Statement	10
11 RF Warning Statement	10
12 IC Statement	10
13 One Year Service Guarantee	11
14 Disclaimers	11

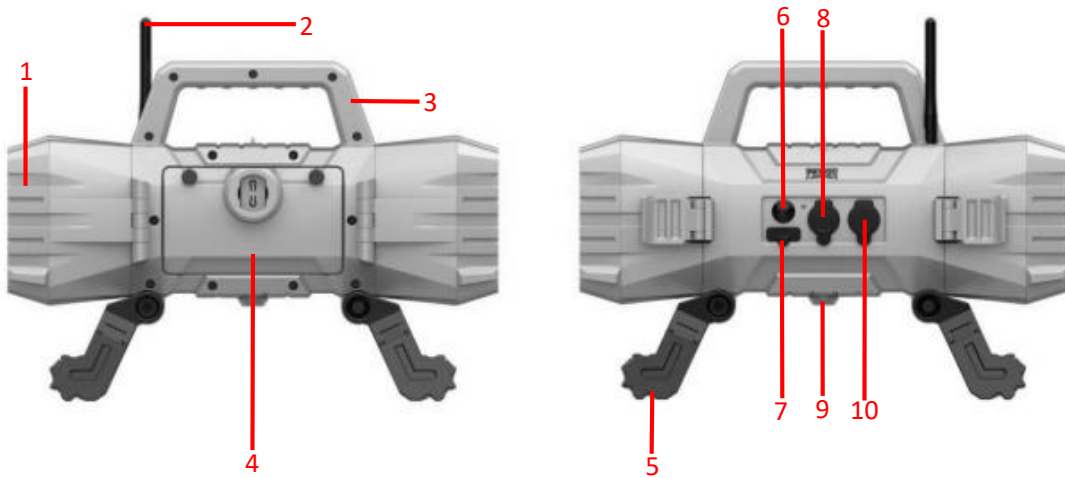
1.Important Note

Congratulations on your purchase of one of the best electronic predator calls on the market! Primos is very proud of this call and we are sure that you will be pleased with it as well. We appreciate your business and want to earn your trust. Please refer to the notes below and the instructions in this manual to ensure that you are completely satisfied with this product.

1-1 Introduction

DOGG E-Caller is an electronic analog phonation device designed to simulate animal sounds under a variety of conditions. It is a device suitable for outdoors, such as woodland, forest, plain and its various climatic areas from wet to dry. The product includes a Dual horn speaker and a remote control, remote control distance in open areas is up to 120 yards. The sound volume can reach max 120dB.

1-2 Speaker



Number	Description	Number	Description
1	Horn speaker	6	On/Off button
2	Antenna	7	Micro SD card
3	Carry handle	8	Decoy Jack
4	Battery compartment door	9	Tripod Mount
5	Adjustable Legs	10	External Speaker Jack

Remove battery cover and install 8 AA batteries following polarity instructions in battery compartment. Reinstall battery cover and tighten with screwdriver or coin.

1-3 Remote



Number	Description	Number	Description
1	Antenna	6	Volume up button
2	HotKey button	7	Scroll down button
3	Back button	8	Volume down button
4	Menu button	9	Scroll up button
5	On/Off and Enter	10	Battery compartment door

Remove battery cover and install 3 AA batteries following polarity instructions in battery compartment. Reinstall battery cover and tighten with screwdriver or coin.

2 Quick Start Guide

The DOGG Catcher Dual E-Caller user manual is rather lengthy, covering all aspects of the speaker and remote control. We realize that some of you may wish to jump directly into basic operations, such as playing sounds and operating the decoy, so this section is a very brief overview and it is strongly recommended that you read this manual entirely in order to fully understand all capabilities of the system. The product has 108 built-in audio and can expand 70 CBR MP3 custom audio.

2-1 Power Button Guide

Remote: Hold down the power button(ENTER button) for 3 seconds can turn on or turn off the remote. Short press the ENTER button in the working state is to confirm the function.

Speaker: Hold down the ON/OFF button for 3 seconds can power on off the speaker. when power on, the LED will illuminate. When power off, the LED will trun off ; hold down the ON/OFF button for 5 seconds in the shutdown state will enter into pairing mode,the LED flash in pairing mode.

2-2 Pairing Function

This is to pair the Speaker with the remote, please follow below steps:

1.Hold down the ON/OFF button of the speaker for 5 seconds in the shutdown state to enter into pairing mode, the LED flash green.

2.Turn on the remote --->Main menu--->Settings--->My Doggs--->Pair New, the remote will pair with the speaker, if pairing successfully, the screen will show "Pair successful" and the flashing LED on the speaker will stop flashing and keep constantly green. the signal strength and the battery level of the speaker will be displayed on the remote's screen.

2-3 Custom Sounds

1.Speaker and remote control need to be paired first.

2.Turn off the speaker , take out the Micro-SD card, connect to the computer through the card reader, and put the new MP3 file into the custom folder.

3.Then put the Micro-SD card back into the speaker and turn on the speaker.

4.Turn on the remote control--->Settings---> Sync,press enter to start synchronization with the speaker, the custom sounds in the Micro-SD card will be synchronized to the remote.

5.When the progress bar is 100%, it says "Sync successful!", press BACK button to exit.

6.The product supports max 70 custom audio files, the audio file must be CBR MP3 format. If there are more than 70 audio files in the custom folder, only the first 70 files will be synchronized to the remote.

2-4 Favorite Sounds

Add favorite: Main Menu--->Sounds--->Favorite Sounds, select "+" to enter the sounds folders , select the required audio file to add into the favorite sounds folder.

Delete favorite: holding down the enter button on a designated favorite sounds for 5 seconds will pop up a message to delete that sound from favorite list, select "Yes" to delete. In the Favorite Sounds list, select "delete all" can delete all the favorite sounds at one time.

The favorite sounds folder is limited to 50 audio files.

2-5 Playing Sounds

The remote control and the speaker are on at the same time, and the remote control and the host have been paired. The remote control and the speaker are in the normal working range. The signal of the speaker is displayed in the remote control status bar. Select another audio to start playing another audio. The volume can be adjusted by the volume adjustment button, and the volume range is 0-20.

3 Settings

3-1 Sound Settings

Menu item	Description	Value	default
Loop	Sets the speaker to loop play	Y(yes),N(no)	N(no)
Interval	Sets the loop play interval (can only be set when the loop is enabled)	None, 1 sec, 3 sec, 5 sec, 10 sec	3 sec

3-2 Display Settings

Menu item	Description	Value	default
Display	Sets the remote display modes	Regular,Night Mode	Regular
Brightness	Screen brightness control	1~10	5
Backlight Timer	Set the timer for the screen backlight when no operation	1 min, 5min, 10min, 20min, 30 min	1 min
Dogg stand by	Set the timer for the Speaker when no operation	OFF, 5 min, 10min, 20min, 30min	OFF

3-3 Decoy Settings

Menu item	Description	Value	default
Decoy	Enable/disable the decoy function	Y(on), N(off)	N(off)

3-4 Device Info

Display the FW version of the remote and speaker. The speaker FW version number can only be seen after the speaker is powered on and after pairing with the remote successfully. Press enter on

this page to restore the remote control to the factory state.

3-5 HotKey Settings

Provide 4 hotkeys for custom function Settings, each hotkey has 6 options to choose from.

- Activate Sound Spk: Customize song shortcuts to play.
- All Off: Mute the sound and set the volume to 0.
- Night Mode: Set the remote control display mode to Night mode
- Settings Menu: Shortcuts to the Settings Menu.
- Main Menu: Shortcuts to the Main Menu.
- Pause/Play: Pause and play music.

3-6 Dogg Power Off

Execute this command on the remote can remote shut down the speaker

4 Field Placement

Place speaker up to 120 yards of your location. Position speaker facing away from your location in order to get maximum range with the sound. Hunting Tip: Keeping speaker within 50 yards allows for closer shots. Also place speaker to side of your location so animal is looking to the side of you and not in direct alignment with you.

IMPORTANT NOTE: If speaker is placed at long distances, on the ground, in thick cover, in underbrush, or has obstructions between remote and speaker always check remote function with speaker. If remote does not operate speaker, raise speaker off ground or decrease speaker distance.

5 Caring For Your Caller

Your caller contains sensitive electronic components that can be permanently damaged if exposed to excessive shock or vibration. To minimize the risk of damage to your unit, avoid dropping your unit and operating it in high-shock and high- vibration environments.

- Do not store your unit where prolonged exposure to extreme temperatures can occur, because it can cause permanent damage.
- Avoid prolonged exposure to moisture. This can cause this unit to malfunction.
- Never use a hard or sharp object to operate this unit or damage may result.
- Prevent product falls , this will damage the product especially the legs.

6 Cleaning The Unit

The Dogg E-Caller is constructed of high-quality materials and does not require user maintenance other than cleaning. Clean the outer casings using a cloth dampened with a mild detergent solution, and then wipe dry and allow to air dry. Avoid chemical cleaners and solvents that can damage plastic components or soft-touch coating.

7 Trouble Shooting

Check batteries and Micro-SD card in speaker and the batteries in remote control if caller is not functioning properly.

If the remote is not controlling speaker properly, Move remote closer to speaker until remote properly controls speaker,

If speaker continues to function incorrectly, call Customer Service at 1-800-523-2395 or email service@primos.com.

8 Important

For your protection, please carefully read these warnings, precautions and safety/operating instructions completely before operating this product. Follow these instructions closely and keep this manual for future reference.

Warning

To reduce the risk of fire, electrical shock or product damage/failure:

- Do not expose unit with the battery door open to rain, moisture, dripping, or splashing. Do not open or close the battery door with wet hand. Completely wipe off water on unit and door before opening.
- Do not lay product on moist ground or submerge in water.
- DO NOT OPEN CASE HOUSING. UNINSULATED, 'DANGEROUS VOLTAGE' WITHIN PRODUCTS ENCLOSURE.
- DO NOT REMOVE HOUSING COVER. THERE ARE NO USER - SERVICEABLE PARTS INSIDE, REFER SERVICING TO PRIMOS®.

9 Customer Service

- Only use batteries as specified in this user manual and install according to correct polarization. Failure to follow may result in leaking or exploding batteries, damage to product, fire or personal injury. Do not handle damaged or leaking batteries.
- Do not expose to extreme heat. Do not leave product and/or batteries exposed in direct sunlight inside a vehicle, or other contained environment for a long period of time.
- Only use accessories as recommended in this manual.

Warning

Primos® game calls are so accurate you might attract other hunters, as well as game. The user of this product assumes all risk of injury in association with the use of this product.

Modification Warning

You are cautioned that any changes or modifications not expressly approved in this manual could void your warranty of this equipment.

Operating Temperature

- Recommended storage temperature range -10° F to 140° F
- Recommended operating temperature range 20° F to 120° F

10 FCC Statement

Changes not expressly approved by Primos® could void the user's authority to operate the equipment.

Note: This equipment has been tested and found to comply with the limits for a Class B digital device, pursuant to Part 15 of the FCC Rules. These limits are designed to provide reasonable protection against harmful interference in a residential installation. This equipment generates, uses and can radiate radio frequency energy and, if not installed and used in accordance with the instructions, may cause harmful interference to radio communications. However, there is no guarantee that interference will not occur in a particular installation. If this equipment does cause harmful interference to radio or television reception, which can be determined by turning the equipment off and on, the user is encouraged to try to correct the interference by one or more of the following measures:

- Reorient or relocate the receiving antenna.
- Increase the separation between the equipment and receiver.
- Connect the equipment into an outlet on a circuit different from that to which the receiver is connected.
- Consult the dealer or an experienced radio/TV technician for help.

Shielded interface cable must be used with the equipment in order to comply with the limits for a digital device pursuant to Subpart B of Part 15 of FCC Rules. Specifications and designs are subject to change without any notice or obligation on the part of the manufacturer.

This device complies with Part 15 of the FCC Rules. Operation is subject to the following two conditions: (1) this device may not cause harmful interference, and (2) this device must accept any interference received, including interference that may cause undesired operation. Please note that changes or modifications not expressly approved by the party responsible for compliance could void the user's authority to operate the equipment.

11 RF Warning Statement

The device has been evaluated to meet general RF exposure requirement. The device can be used in portable exposure condition without restriction.

12 IC Statement

This device contains license-exempt transmitter(s)/receiver(s) that comply with Innovation, Science and Economic Development Canada's license-exempt RSS(S). Operation is subject to the following two conditions: (1) this device may not cause interference, and (2) this device must accept any interference, including interference that may cause undesired operation of the device.

Le présent appareil est conforme aux CNR d'Industrie Canada applicables aux appareils radio exempts de licence. L'exploitation est autorisée aux deux conditions suivantes : (1) l'appareil ne doit pas produire de brouillage, et (2) l'utilisateur de l'appareil doit accepter tout brouillage radioélectrique subi, même si le brouillage est susceptible d'en compromettre le fonctionnement.

13 One Year Service Guarantee

1 Year Limited Warranty

Terms: You MUST keep a receipt for "Proof of Purchase" for any warranty claims on your product. More details below.

Terms: You MUST keep a receipt for "Proof of Purchase" for any warranty claims on your product. More details below.

RETURN THIS PRODUCT TO BUSHNELL OUTDOOR PRODUCTS

DO NOT SEND BACK TO THE STORE

9200 Cody, Overland Park,KS 66214

Office 1-800-523-2395 | Fax601-879-9324

primos.com

1. Please Contact Customer Care in order to get a Return Form.
2. Remove batteries from product and pack in well-padded or highly protective box. Primos® will NOT be responsible for damage incurred in returning product for repair / replacement.
3. Include Proof of Purchase.ANY ITEM RETURNED WITHOUT PROOF OF PURCHASE WILL NOT BE ACCEPTED.
4. Send product prepaid to: Bushnell Outdoor Products,ATTN: Lab Repair, 9200 Cody, Overland Park,KS 66214.

For warranty or service information, email service@primos.com or call Customer Service at 1-800-523-2395.

14 Disclaimers

Primos® makes no representations or warranties, either expressed or implied, by or concerning any content of these written materials or software, or for damages resulting from the use of the information contained therein.

Primos® reserves the right to alter the features and contents of this publication, hardware or software without obligation or advance notice.

Warranty does not extend to any accessories used with this product.

Primos® is not responsible if you use this product for illegal purposes.

Primos® shall not be obligated to perform preventative maintenance, installation,deinstallation, or maintenance.

The illustrations in this manual are for instructional purposes only and may not represent actual product exactly.



For further questions or additional information please contact:

Primos Customer Service

1-800-523-2395

SERVICE@PRIMOS.COM

9200 Cody, Overland Park, KS 66214