

# AN-2202481 Antenna datasheet

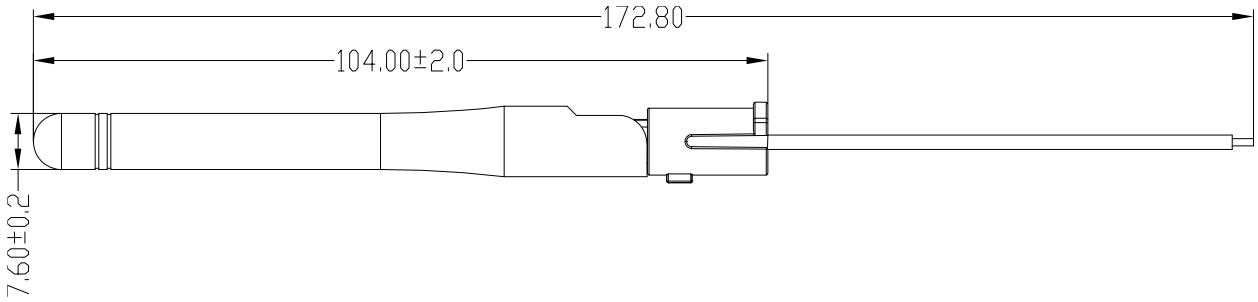
Supplier: Dongguan andeshuo Electronics Co., Ltd.

Supplier's address: Room 301, building 1, Samsung Science and Technology Park, Jinju Shenzhen, Dalingshan, Dongguan City, Guangdong Province

Supplier's contact: jun QIN

Product model: AN-2202481

Component description: silicone wire,red,3239 24AWG,L=172.8MM,used as 433MHZ antenna.



Center frequency: 433MHZ

Antenna bandwidth: 423~443MHZ

Antenna gain: 1.5dBi

Voltage standing wave ratio: < = 2.0

Polarization direction:vertical polarization

Radiation direction:omnidirectional

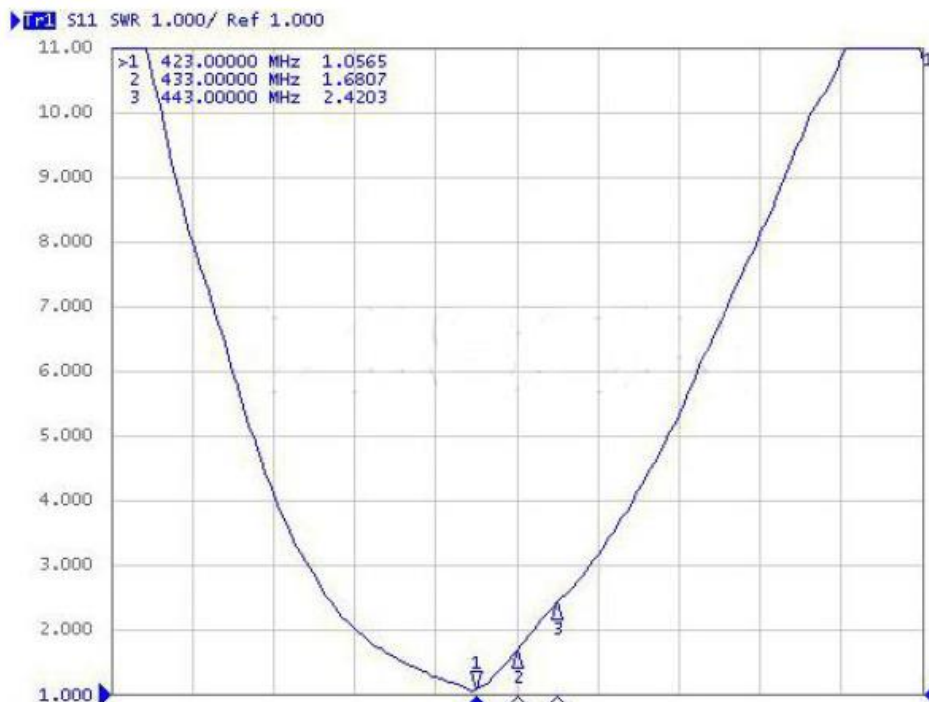
Input impedance:50 Ω

Power capacity: 20W

Product size: UL3239 24AWG L=172.8mm

Operating temperature: <150°C

## 电压驻波比 (VSWR)



## 史密斯圆图(Smith chart)

▶ S11 Smith (Lin/Phase) Scale 1.0000

>1	423.00000 MHz	49.445 mU	-40.856 °
2	433.00000 MHz	210.49 mU	22.949 °
3	443.00000 MHz	373.46 mU	6.7875 °

