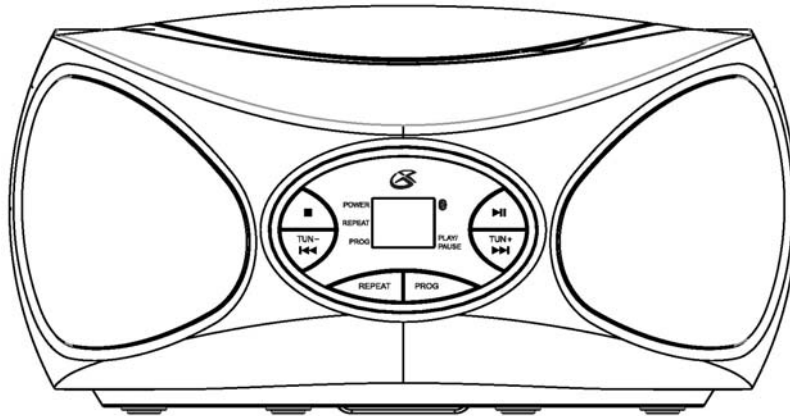


BCB119
INSTRUCTION MANUAL
BLUETOOTH CD BOOMBOX



1.0
PLEASE READ BEFORE OPERATING
THIS EQUIPMENT

IMPORTANT SAFETY INSTRUCTIONS



The lightning flash with arrowhead symbol within an equilateral triangle is intended to alert the user to the presence of uninsulated dangerous voltage within the product's enclosure that may be of sufficient magnitude to constitute a risk of electric shock to persons.



The exclamation point within an equilateral triangle is intended to alert the user to the presence of important operating and maintenance (servicing) instructions in the literature accompanying the appliance.



This product utilizes a Class 1 laser to read Compact Discs. This laser Compact Disc Player is equipped with safety switches to avoid exposure when the CD door is open and the safety interlocks are defeated. Invisible laser radiation is present when the CD Player's lid is open and the system's interlock has failed or been defeated. It is very important that you avoid direct exposure to the laser beam at all times. Please do not attempt to defeat or bypass the safety switches.

FCC NOTICE:

This equipment has been tested and found to comply with the limits for a Class B digital device, pursuant to Part 15 of the FCC Rules. These limits are designed to provide reasonable protection against harmful interference in a residential installation. This equipment generates, uses and can radiate radio frequency energy and, if not installed and used in accordance with the instructions, may cause harmful interference to radio communications. However, there is no guarantee that interference will not occur in a particular installation. If this equipment does cause harmful interference to radio or television reception, which can be determined by turning the equipment off and on, the user is encouraged to try to correct the interference by one or more of the following measures:

- 1 Reorient or relocate the receiving antenna.
- 1 Increase the separation between the equipment and receiver.
- 1 Connect the equipment into an outlet on a circuit different from that to which the receiver is connected.
- 1 Consult the dealer or an experienced radio/TV technician for help.

Changes or modifications not expressly approved by the party responsible for compliance could void the user's authority to operate the equipment.

This device complies with part 15 of the FCC Rules. Operation is subject to the following two conditions:

- (1) This device may not cause harmful interference, and
- (2) This device must accept any interference received, including interference that may cause undesired operation.

The equipment should be installed and operated with minimum distance 20cm between the radiator & your body.

PRECAUTIONS FOR UNIT

OPERATING THE PLAYER ON AC POWER

- Insert one end of the supplied power cord into the AC IN jack located at the rear of the unit, and the other end into the wall outlet.

PLACEMENT

- Put the unit where ventilation is good enough to prevent overheating.
- Never put the unit in direct sunlight or near heat sources.
- Put the unit horizontally, never put any heavy object on the unit.
- To protect the pickup, do not put the unit where there is much dust. If there is dust on the pickup, use a cleaning disc to clean it.
- Refer to the operation instructions of the cleaning disc you bought.

CONDENSATION

Moisture will appear on the pickup lens in the following cases:

- The unit is suddenly moved from a cold place to a warm place.
- The unit is put in a room with a heater, or in cold air from an air - conditioner.
- Use the unit in a humid place. In these cases, the unit cannot work. Unload the disc and leave the unit on for about one hour evaporates the water.

CLEANING

- Use soft cloth with a little neutral detergent to wipe the cabinet, panel and controls. Never use abra sive paper, polishing powder or solvent like alcohol and gasoline.

PRECAUTIONS FOR DISCS

CARING FOR COMPACT DISCS

- Treat the compact disc carefully. Handle the compact disc only by its edges. Never allow your fingers to come in contact with the shiny, unprinted side of the compact disc.
- Do not attach adhesive tape, stickers, etc. to the compact disc label.
- Clean the compact disc periodically with a soft, lint-free, dry cloth. Never use detergents or abrasive cleaners to clean the compact disc. If necessary, use a CD cleaning kit.
- If a compact disc skips or gets stuck on a section of the compact disc, it is probably dirty or damaged (scratched).
- When cleaning the compact disc, wipe in straight lines from the center of the compact disc to the outer edge of the compact disc. Never wipe in circular motions.

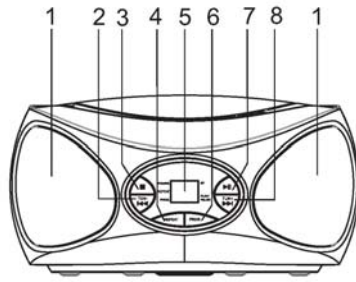


- This unit is designed to play only compact discs bearing the identification logo as shown here. Other compact discs may not conform to the CD standard and may not play properly.
- Compact discs should be stored in their cases after each use to avoid damage.
- Do not expose compact discs to direct sunlight, high humidity, high temperature, or dust, etc. Prolonged exposure or extreme temperatures can warp the compact disc.
- Do not stick or write anything on either side of the compact disc. Sharp writing instruments, or may The ink damage the surface.

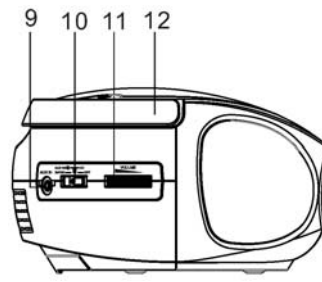


INTRODUCTION

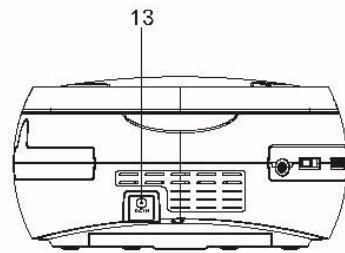
Front View



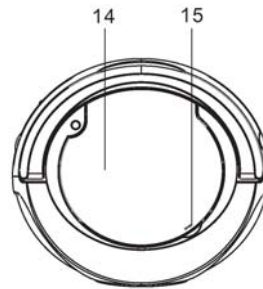
Side View



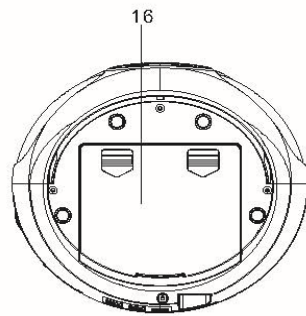
Rear View



Top View



Bottom View



LOCATION OF CONTROLS

1. SPEAKER	9. LINE IN
2. TUNE-/SKIP/SEARCH (BACKWARD)	10. SOURCE SWITCH
3. STOP	11. VOLUME
4. REPEAT	12. HANDLE
5. DISPLAY	13. DC IN
6. PROGRAM	14. CD DOOR
7. PLAY/PAUSE	15. OPEN
8. TUNE+/SKIP/SEARCH (FORWARD)	16. BATTERY DOOR

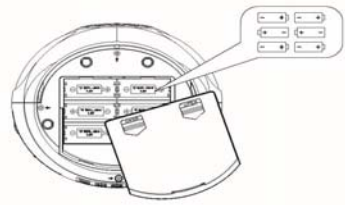
CONNECTING THE POWER

AC POWER OPERATION

Plug the included AC adapter into the standard AC power outlet to power the unit. Connect small end to **DC INPUT** jack of main unit. After adapter connection, Slide the Source switch to CD / BT/LINE IN / RADIO mode position to turn on the unit. The power indicator is lighted.

BATTERY OPERATION

- Before installing batteries (not included), ensure that the unit is disconnected from the mains supply.
- Remove the battery compartment cover on the bottom of the unit by carefully pushing the two lugs left. The battery cover can then be lifted away. Fit the 1.5V (UM2) X 6 pcs batteries (not included), referring to the polarity marking. Finally, replace the cover.
- For battery operation, remove the adapter from the wall outlet and unplug from the unit.



BATTERY PRECAUTIONS

Follow these precautions when using batteries in this device:

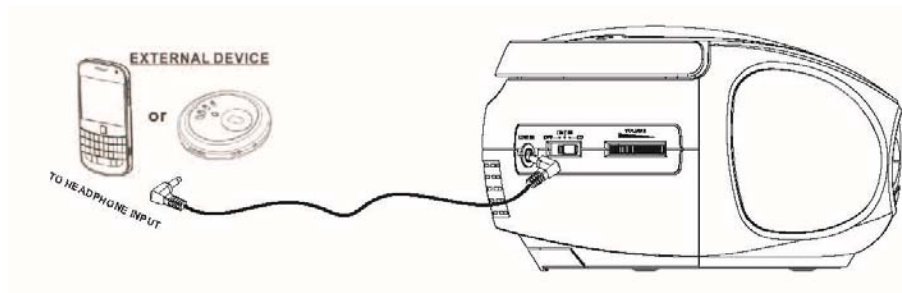
- Be sure to follow the correct polarity when installing the batteries as indicated in the batteries compartment.
- Do not mix different types of batteries together (e.g. Alkaline and Carbon-zinc) or old batteries with fresh ones.
- If the device is not to be used for a long period of time, remove the batteries to prevent damage or injury from possible battery leakage.
- Do not try to recharge batteries not intended to be recharged; they can overheat and rupture. (Follow battery manufacturer's directions)

LINE IN OPERATION

To connect a MP3 Player or other Audio Device you will need a 3.5mm Auxiliary Cable.

1. Connect a 3.5mm Auxiliary Cable to the LINE IN jack at the side of unit and to the Audio Output or Phones on the audio device you wish to play.
2. Slide the **SOURCE** switch of the Unit to **BT/LINE IN** position.
3. Make sure your external music player is turned on.
4. Start music playback on your external music player.
5. Adjust VOLUME dial to control the sound level of music playback from the speakers on the unit.

Please note: If not in use this function, please unplug it.



BLUETOOTH OPERATION

PAIRING A SMARTPHONE OR BLUETOOTH ENABLED DEVICE

The Bluetooth feature enables you to stream and play the digital music on your Bluetooth enabled device to your unit.

1. Slide the **SOURCE** button to **BT/LINE IN** position to connect your external Bluetooth device, the BT indicator flash and heard the sound "Bluetooth".
2. Set the Bluetooth function of your external device to ON and begin searching for devices.

Note: The effective distance between your external device and this apparatus is 10 meters (30 feet).

3. Once "BCB119" appears on the paired device list of your external device, select it. Notes: If cannot connect, press and hold **Play/PAIR** button to reconnect again.
4. If you are asked for a password, enter "0000"
5. When both devices are successfully connected, "bluetooth connected" will sound and the BT indicator stop flash, now you are ready to play music wirelessly from your device.
6. Press the **PLAY** button of external Bluetooth device to start music playback.
7. Press the **NEXT / PREV** of the unit or external Bluetooth device to switch between music tracks.

Note: After initial pairing, the unit will stay paired unless unpaired manually by the user or erased due to a reset of the device. If your device should become unpaired or your find it is unable to connect, repeat the above steps or press & hold the **PAIR** button again.

CD OPERATION

Loading a Disc

1. Power on by slide the **SOURCE** switch to the **CD** position.
2. Lift the Open area to open the CD door.
3. Load a CD disc into the compartment with the printed side facing you.
4. Gently close the CD Door. The CD Player begins to read the disc. The Display will show the total number of tracks.
5. Press **PLAY/PAUSE** button to play disc. (if no disc is loaded. "No" will be displayed)

Playing a Disc

1. Follow the instructions for Loading a Disc.
2. Press the **PLAY/PAUSE** button to begin playing the loaded disc. The **PLAY/PAUSE** indicator will light.
3. Rotate the **MASTER VOLUME** dial to select the sound level.
4. To temporarily stop playing, press the **PLAY/PAUSE** button once (**PLAY/PAUSE** indicator will flash). To resume play, press the **PLAY/PAUSE** button one more.
5. Press **SKIP/SEARCH** buttons to skip between next or previous tracks.
6. Hold the **SKIP / SEARCH** buttons to fast search through the track.x
7. Press the **STOP** button to stop playing.

Repeat Function

1. Follow the instructions for Loading a Disc and Playing a Disc
2. When disc installed, press the **REPEAT** button once and the **REPEAT** indicator flash. The unit will play the current track repeatedly
3. When disc installed, press the **REPEAT** button twice and **REPEAT** indicator will be light. The unit will play the entire disc repeatedly.
4. To cancel the repeat function: press the **REPEAT** button repeatedly the **REPEAT** indicator light off or press the **STOP** button twice to stop

Programming a Disc up to 20 tracks

1. When disc playing, press the **STOP** button to stop mode.
2. Press the **PROGRAM** button and the program (PROG) indicator will flash.
3. Press the **SKIP / SEARCH** buttons to select the track from the loaded disc you wish to play first.
4. Press the **PROGRAM** button to confirm.
5. Repeat steps 3 and 4 to program to play in a specified order.
6. Press the **PLAY** button to start the program playing.
7. Press the **STOP** button twice to cancel a program.

RADIO OPERATION

1. Slide the FUNCTION SWITCH to RADIO position.
2. Press **TUN-** or **TUN+** button to tune the radio manually,
3. Adjust the MASTER VOLUME knob to obtain the desired sound level.

TIPS FOR BEST RADIO RECEPTION

To obtain the best FM reception, relocate the unit place. Avoid close to the speakers or other electrical appliance.

TROUBLE SHOOTING

If a fault occurs, first check the points listed below before taking the set for repair.

If you are unable to remedy a problem by following these hints, consult you dealer or service center.

WARNING: Under no circumstances should you try to repair the set yourself, as this would invalidate the guarantee.

PROBLEM	POSSIBLE CAUSE	REMEDY
General No sound	VOLUME not adjusted Batteries are incorrectly Inserted No plug in DC jack	Adjust the VOLUME Insert fresh batteries Plug AC adapter in the outlet and plug DC jack to the unit.
Bluetooth no sound	Unit is not linked with your Bluetooth enabled device Unit placement out of range Your Bluetooth enabled device Volume set too low	Go through "Bluetooth Operations" process to link the speakers Relocate the unit within Bluetooth operating range (30 feet) from the unit. Increase Volume level of your Bluetooth enabled device
FM no sound	Unit not in Radio mode, Master Volume at minimum	Slide Function switch to select RADIO. Increase Master Volume level.
Noise or sound distorted on FM broadcast	Station not tuned properly for FM. The unit close the interfere source	Fine tune the FM broadcast station. Avoid close to the speakers or other electrical appliance.
Unit does not react to Operation of any button	Electrostatic discharge	Switch off the unit, Disconnect the mains Plug, reconnect after a few seconds
CD Cannot read	The disc is dirty The disc is upside down The CD player is in Pause	Clean or replace the disc Turn it over so that the label faces up Release the Pause mode

SPECIFICATION

General

Power supply: Input: AC 100-240V 50/60Hz Output: DC5.0V
(Uses 6 pcs of "UM-2" size battery)

Output Power: 1.5 watts (RMS) mono

Speaker: 3W 3" 6 ohm X 2

Line in: 3.5mm jack

Dimensions: 240 x 214 x 125 mm (L x D x H)

Weight: 1.1 kgs

CD

Optical pick-up lens: 3 beam semiconductor laser

NOTE:

This unit may be submitted to change in specifications, characteristics and/or operation without prior notice to the user, in order to continue improving and developing its technology.