

# Karaoke USA

## Portable CDG/MP3G Karaoke Player and PA System with 4.3" Color TFT Screen, Bluetooth, Recording Function and Built-In Battery

- English
- Español
- Français

**EN** User's Guide

MODEL:  
GQ450



Smart Device not included

Before operating this product, please read these instructions.



# Contents

---

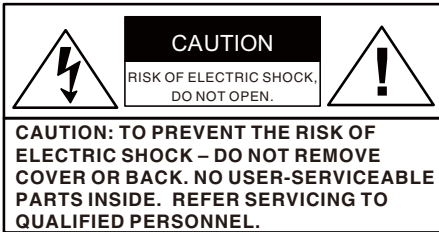
Warnings and Precautions.....	01
Important Safety Instructions.....	02
What's in the Gift Box.....	03
Features.....	04
Main Control Functions.....	05-06
Monitor / Screen Functions.....	06
Setup Cradle.....	07
Setup – Power.....	08
USB Flash Drive Operation.....	09
Bluetooth Operation.....	09
Connect External Device Using Aux-in.....	10
Using CD+G, CDs.....	10
Connecting to a Television with AV Output Jacks.....	11
Recording Operation.....	12
Microphone.....	13
Echo / Balance Control.....	14
LED Light Show Operation.....	14
Specifications.....	14
Troubleshooting.....	15-16

# Warnings and Precautions

**WARNING:** To reduce the risk of fire or electric shock, do not expose this unit to rain or moisture.

**CAUTION:** Use of controls or adjustments or performance of procedures other than those specified may result in hazardous radiation exposure.

“**Caution Marking and Rating Label**” is affixed under the lid or on the bottom of the unit with a mass not exceeding 7kg.



This symbol is intended to alert you to the presence of uninsulated, dangerous voltage within the unit's enclosure that might be of a sufficient magnitude to constitute a risk of electric shock. **DO NOT OPEN THE UNITS CASE.**



This symbol is intended to inform you that important operating and maintenance instructions are included in the literature accompanying this product.

## SAFETY

For units with an insertable AC Power Adapter cord set:

- The power adapter should remain operable for its intended use. Disconnect the AC Power Adapter if you are not intending to use the unit for a long period of time.
- When connecting or disconnecting the AC Power Adapter Cord, grip the plug and not the cord itself. Pulling the cord may cause damage and create a hazard.

For units with a Rechargeable Battery:

- Do not expose batteries to excessive conditions – extreme cold, heat, sun or fire.

## MOISTURE AND CONDENSATION

If the unit is exposed to moisture and extreme cold temperatures and moved to a warm environment, condensation may form on the units internal components. Under these circumstances, turning the power “ON” may cause damage to the unit or cause harm to the user. Allow the unit to stand in a warm environment for 1 to 3 hours and allow the unit to air dry safely.

## WHEN IN USE

- Do not use this unit in conditions that are extreme – hot, cold, dusty or humid.
- Do not restrict the air flow of the unit by placing it on a soft surface like a bed, carpet or covering.

**NOTE:** This equipment has been tested and found to comply with the limits for a Class B digital device, pursuant to part 15 of the FCC Rules. These limits are designed to provide reasonable protection against harmful interference in a residential installation. This equipment generates uses and can radiate radiofrequency energy and, if not installed and used in accordance with the instructions, may cause harmful interference to radio communications. However, there is no guarantee that interference will not occur in a particular installation. If this equipment does cause harmful interference to radio or television reception, which can be determined by turning the equipment off and on, the user is encouraged to try to correct the interference by one or more of the following measures:

- Reorient or relocate the receiving antenna
- Increase the separation between the equipment and receiver
- Connect the equipment into an outlet on a circuit different from that to which the receiver is connected.
- Consult the dealer or an experienced radio/TV technician for help

Changes or modifications not expressly approved by the party responsible for compliance could void the user's authority to operate the equipment.

This device complies with Part 15 of the FCC Rules. Operation is subject to the following two conditions:

- (1) this device may not cause harmful interference, and
- (2) this device must accept any interference received, including interference that may cause undesired operation.

FCC ID: 2ASQA-696450  
IC: 25342-696450

# Important Safety Instructions

**1. Read These Instructions:** All safety and operations manual should be read before the product is operated.

**2. Keep These Instructions:** The safety and operations manual should be retained for future reference.

**3. Heed All Warnings:** All warnings applicable to the unit and in the operations manual should be adhered to.

**4. Follow All Instructions:** All operations manual should be followed.

**5. Water and Moisture:** Do not use this unit near water. For example, do not use near a bath tub, wash bowl, kitchen sink, or laundry tub. Do not use this unit in a wet basement or near a swimming pool or similar location. The unit shall not be exposed to dripping or splashing and no objects filled with liquids (ex: vases), shall be placed on or near this unit.

**6. Cleaning:** Clean the unit only with a dry cloth. Unit must be unplugged from the wall outlet before cleaning. Do not use liquid cleaners or aerosol cleaners on the unit.

**7. Ventilation:** Slots and openings in the cabinet of the unit are provided to ensure reliable operation and ventilation and to protect the unit from overheating. The openings must not be covered and should never be blocked by placing the product on a soft surface like a bed, sofa, or rug. This unit should not be placed in a built-in installation like a bookcase or rack, unless proper ventilation is provided.

**8. Heat:** Do not install the unit near any heat source like a radiator, heat register, stove or other device that produces heat, including amplifiers.

**9. Grounding or Polarization:** If applicable, do not disable or circumvent the polarized or grounding-type plug. A polarized plug has 2 blades with 1 wider than the other. A grounding-type plug has 2 blades and a 3<sup>rd</sup> grounding plug. The wide blade, or the 3<sup>rd</sup> prong, is provided for your safety. If the provided plug does not fit into an outlet, consult a qualified electrician for replacement of this outlet.

**10. Power Cord Protection:** Protect the power cord from being walked on, pinched or cut or damaged in any

way. If any damage occurs, consult with a trained technician for repair.

**11. Accessories:** Only use accessories specified and approved by the manufacturer. Do not place this unit on an unstable cart, stand, tripod, bracket or table that has not been previously approved by the manufacturer. This unit may fall, causing serious injury to a child, adult or to the unit itself. Any mounting of the unit should be done within the manufacturer's guidelines.

**12. Transporting:** If a pre-approved device is used to transport this unit, caution and care must be observed and practiced to avoid damages. Make sure the device and unit together are stable before moving.



PORTABLE  
CART  
WARNING

S3125A

**13. Lightning:** Unplug this unit and disconnect the antenna or cable system during lightning storms or when unused for long periods of time. This will help prevent damage to the unit due to lightning and power line surges.

**14. Servicing:** Do not attempt to service this unit yourself. Opening or removing covers may expose you to dangerous voltage or other hazards. Refer all servicing to a qualified service technician.

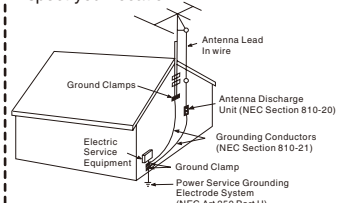
**15. Power Sources:** Only connect to the type of household power supply as indicated in the operations manual and "Caution Marking and Rating Label." If you are not sure of the type of power supplied to your home (or location of the outlet the unit is being plugged into), consult with the local power company. For units intended to operate from battery power, or other sources, refer to the manufacturer's operations manual.

**16. Overloading:** Do not overload wall outlets or extension cords. This can result in a risk of fire or electric shock and may be hazardous.

**17. Foreign Material:** Protect this unit from intrusion of any foreign substances like dirt, water, moisture and insects. Do not force any foreign materials or chemicals into this unit. This could result in a risk of fire or electric shock and may be hazardous.

**18. Replacement Parts and Safety Check:** When replacement parts are required, be sure the service technician has used replacement parts specified and approved by the manufacturer. Ask the service technician to perform safety checks to ensure the proper operation to avoid possible fire, electric shock or other hazards.

**19. Outdoor Antenna Grounding:** If an outside antenna or cable system is connected to the unit, be sure the antenna or cable system is grounded to provide some protection against voltage surges and built-up static charges. If there is any doubt to the proper grounding of these systems, contact a qualified electrician to inspect your location.



**20. Wall or Ceiling Mounted:** The unit should be mounted to a wall or a ceiling only as recommended by the manufacturer.

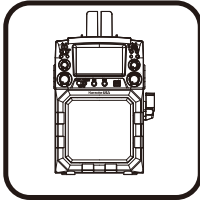
**21. Disconnect Device:** Make sure all disconnect devices are in proper working condition and readily available in the event of an emergency or if power "off" is needed quickly.

**22. Protective Attachment Plug:** If applicable, this unit may be equipped with an attachment plug having overload protection. This is a safety feature. See the operations manual for replacement or resetting of this protective device. If replacement of the plug is required, be sure the qualified service technician has used a replacement plug specified by the manufacturer that has the same overload protection as the original plug.

**23. Power Lines:** An outside antenna system should not be located in the vicinity of overhead power lines or other electric light or power circuits, or where it can fall into such power lines or circuits. When installing an outside antenna system, extreme care should be taken to keep from touching such power lines or circuits, as contact with them may be fatal. Always consult with your local power company before installing an outside antenna.

# What's in the Gift Box

---



GQ450 X 1



Microphone x 1



AUX IN Cable x 1



RCA Cable x 1



AC Adaptor x 1  
DC5V/2A



Smart Device  
Holder x 1



CDG Demo  
Disc x 1



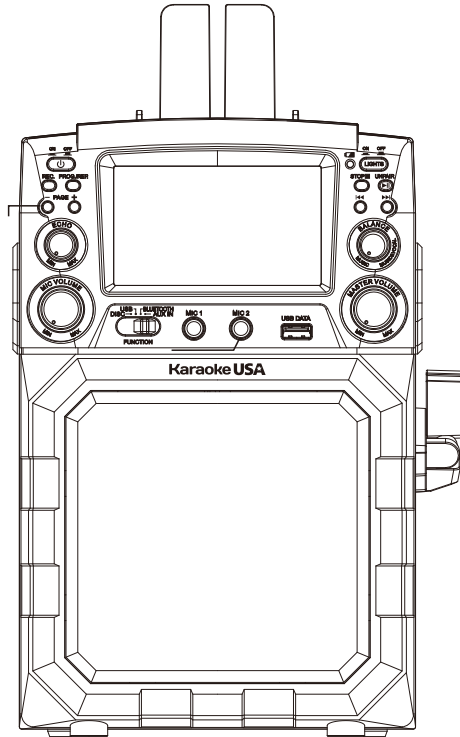
User's Guide x 1



Warranty Card x 1

# Features

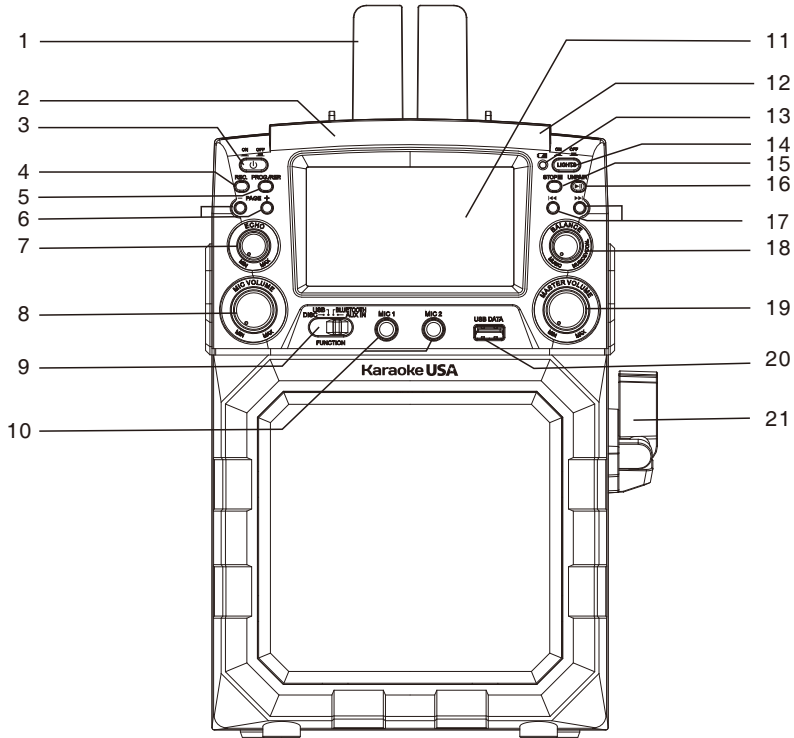
---



- 4.3" Color TFT Screen
- 40W Peak Power Output (3W RMS)
- CDG/MP3G Compatible
- Record Voice and Music mix
- Bluetooth Wireless Speaker & Wireless Connection
- Light up Speaker
- Smart Device Compatible
- Includes 25 Karaoke Songs on CDG Disc
- 1 Microphone and Holder
- 2 Microphone Inputs
- Master Volume Control
- Microphone Volume Control
- Analog Echo Control
- Balance Control
- RCA AV Output Jacks
- USB Flash Drive Compatible
- Built-in Rechargeable Lithium Battery (2 Hour Playtime)
- AC/DC Adaptor (UL approved) (AC 100V-240V 50/60Hz)

# Main Control Functions

## FRONT VIEW



1. DETACHABLE CRADLE

2. CD Door

3. POWER ON/OFF Button

4. REC. Button

5. PROG / REP Button

6. PAGE - / +

7. ECHO Knob

8. MIC VOLUME Knob

9. DISC / USB / BLUETOOTH / AUX IN Selector

10. MIC 1 / 2 Input

11. TFT DISPLAY

12. CD Door Open Area

13. BATTERY Indicator

14. LIGHT ON/OFF Button

15. STOP ■ Button

16. PLAY/PAUSE ►► / UNPAIR Button

17. SKIP ◀◀ / ►► Button

18. BALANCE Knob

19. MASTER VOLUME Knob

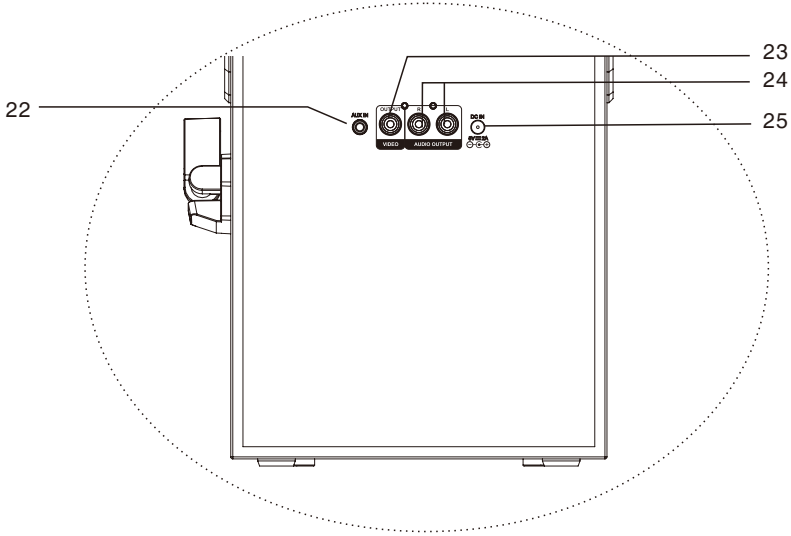
20. USB Input

21. MIC Holder



# Main Control Functions

## REAR VIEW



22. AUX IN Input

24. AUDIO OUT Jack

23. VIDEO OUT Jack

25. DC Input (5V)

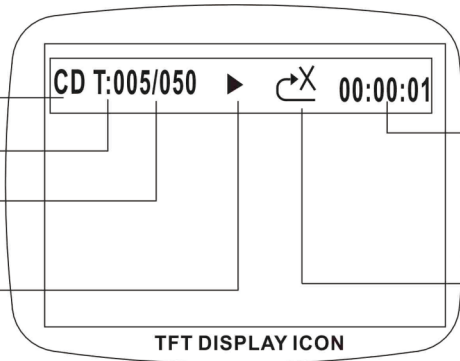
# Monitor / Screen Functions

PLAY FILE PROPERTY  
CDG  
CD

PLAYING TRACK NUMBER

TOTAL TRACK NUMBER

▶ PLAYING NOW  
|| PAUSE PLAYING  
■ STOP PLAYING



PLAY TIME OR  
PROGRAM LOCATION

↺X  
↺1  
↺A

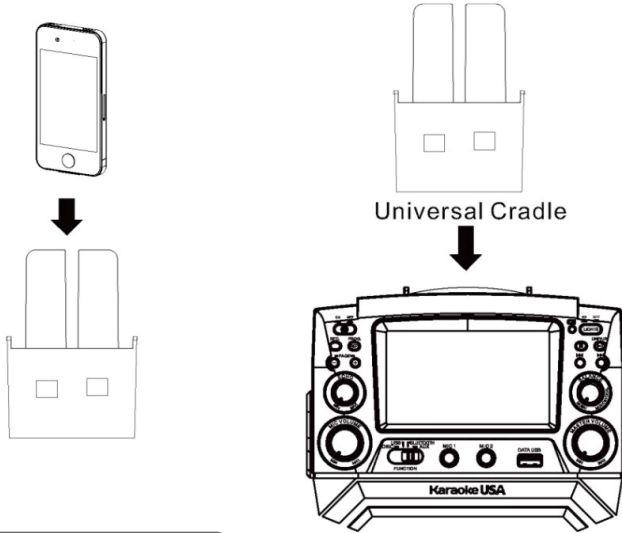
PROG SET OR  
REPEAT STATUS

TFT DISPLAY ICON

# Setup Cradle

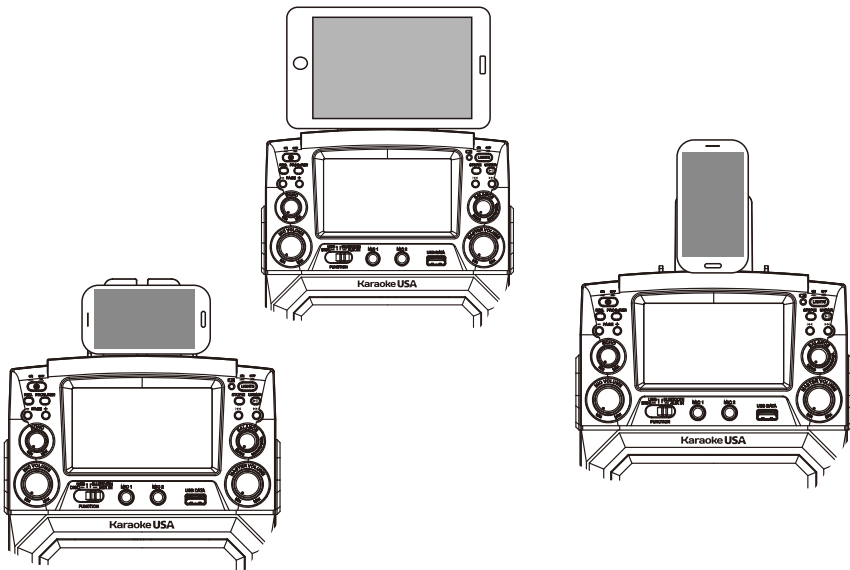
## Install Cradle into the unit

Install the cradle (included ) to hold the Mobile & Tablet onto unit.



## Place External Device

Insert Personal Player / Mobile Phone / Tablet with cradle onto the unit.



# Setup – Power

## Connect Power Adapter

Connect the included AC adapter into the standard AC power outlet to power the **KARAOKE MACHINE**. Connect small end to **DC INPUT** jack of main unit. After adapter connection, Press the **POWER** button to turn on / off the **Karaoke Machine**.

### REAR SIDE OF MAIN UNIT



## Built-in Rechargeable battery operation

1. This unit will also operate using the AC/DC Power Adaptor or built-in Lithium rechargeable battery.
2. Internal battery recharges when AC/DC Power Adaptor is connected to live power outlet.
3. Fully charge the built-in rechargeable battery before first use. The BATTERY INDICATOR will turn from Red to Green when the built-in battery is fully charged.
4. After battery is charged, disconnect AC/DC Power Adaptor to enter Battery Operating mode.

## Low Battery Indication

1. When internal battery is low, BATTERY INDICATOR will light Red and flash. Connect the unit to AC/DC Power Adaptor for charging.
2. After prolonged use, the battery voltage may discharge and operation might become intermittent. When this happens, recharge the internal battery.

Notes: Rechargeable batteries need to be cycled for maximum performance and longer battery life. If you don't use the player that often, be sure to recharge the battery at least once a month in order to keep the internal battery working properly.

# USB Flash Drive Operation

---

This unit will play MP3 music files on a USB Flash Drive.

## Install USB device with music on it

Install the USB device to USB jack



## Play the USB device

1. Press POWER button to turn on unit
2. Slide the DISC/ USB/ BLUETOOTH / AUX selector to USB mode. (USB not included)
3. Press the Play/Pause button to start playing.

## Using the skip and search function

1. Press the **SKIP** ◀◀ / ▶▶ buttons to search music track.
2. Hold the **SKIP** ◀◀ / ▶▶ buttons to fast search the desert track forward or rewind. Note: CDG disc not support this function.
3. Press the PAGE-/+ button to search PAGE of the disc.

# Bluetooth Operation

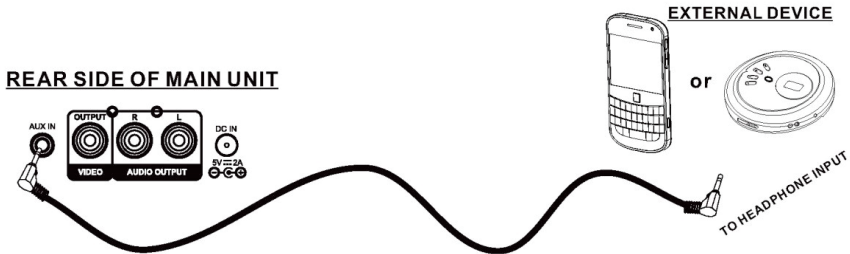
---

1. Press the **POWER** ⏻ button to turn on unit, slide the **FUNCTION** selector of **Karaoke Machine** to BLUETOOTH (BLUETOOTH mode ) position to connect your external Bluetooth device and the screen show : **BLUETOOTH (NO CONNECTION)**.
2. On your smartphone / Tablet, turn on Bluetooth and enable device scanning.
3. When unit shows **GQ450** on the Bluetooth scan, select it to connect it to your device.  
Notes: If cannot connect, press **UNPAIRING** button to reconnect again.
4. When both devices are successfully connected , The screen show : **BLUETOOTH (CONNECTED)**, now you are ready to play music wirelessly from your device.
5. Press the **PLAY/PAUSE** ▶|| button of external Bluetooth device to start music playback.
6. Press the **SKIP** ◀◀ / ▶▶ of **Karaoke Machine** or external Bluetooth device to switch between music tracks.

# Connect External Device Using Aux-in


## AUX IN (LINE In / AUDIO In )

1. Connect a 3.5 mm Auxiliary Cable to the AUX-IN jack on rear of unit and to your device's audio-out (headphone) jack.
  2. Slide the **FUNCTION** selector of **Karaoke Machine** to **AUX-IN** position.
  3. Turn on both units.
  4. The external device's audio will play on unit speaker
- Please note: Disconnect AUX-in cable when using other playing functions.










# Using CD+G, CDs




## Loading a Disc

1. Connect power (follow **SETUP POWER** page) .
2. Open the CD DOOR.
3. Place a **CD+G** or **CD** into the **CD** compartment.
4. Close the **CD DOOR**, press the **POWER**  button to turn on unit.
5. Slide **FUNCTION** selector to **DISC** position.

## Playing a Disc




1. Follow the instructions for **Loading a Disc**.
  2. Press the **PLAY/PAUSE**  button to begin playing the loaded disc ( **PLAY** symbol will show on the screen).
  3. Rotate the **MASTER VOLUME** dial to select the sound level.
  4. To temporarily stop playing, press the **PLAY/PAUSE**  button once ( **PAUSE** symbol will show on the screen ). To resume play, press the **PLAY /PAUSE**  button one more.
  5. Press **SKIP**  /  buttons to skip between next or previous tracks.
  6. Hold the **SKIP**  /  buttons to fast search through the track.x
- Please note:** The fast-forward / fast-rewind functions will not work for CDG discs.
7. Connect the **VIDEO OUT** jack to TV, the lyrics text will show on TV.
  8. Press the **STOP** button to stop playing.

## Repeat Function

1. Follow the instructions for Loading a Disc and Playing a Disc.
2. Press the **REP** button once and  indicator light on the screen. The unit will play the current track repeatedly.
3. Press the **REP** button twice and  indicator light on the screen. The unit will play the entire disc repeatedly.
4. To cancel the repeat function: press the **REP** button repeatedly the  indicator light on the screen or press the **STOP** button twice to stop.



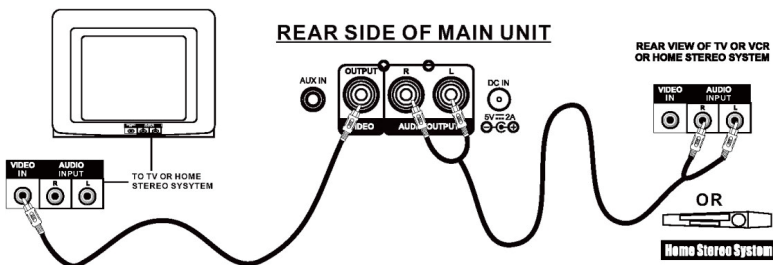
## Programming a Disc up to 20 tracks

1. When disc playing, press the **STOP** button to stop mode.
2. Press the **PROG.** button and the program ( PROG SET ) indicator will light on the screen.
3. Press the **SKIP**  /  buttons to select the track from the loaded disc you wish to play first.
4. Press the **PROG.** button to confirm.
5. Repeat steps 3 and 4 to program to play in a specified order.
6. Press the **PLAY/ PAUSE**  button to start the program playing.
7. Press the **STOP** button twice to cancel a program.

## Connecting to a Television with AV Output Jacks

This unit has AV (Audio/Video) output jacks to connect to your TV to display karaoke lyrics on your big screen. NOTE: To see lyrics, your music must be karaoke media like a CDG Karaoke disc or MP3G music file.




1. Connect included RCA cable to your player while matching jack and cable colors. Normally, video is yellow, right audio channel is red and left audio channel is white.
2. Connect the other RCA cable end to your TV's RCA input jacks. Connect proper colored cable ends to the correct input jacks with yellow, red and white colors. Note: Your TV may have different colored jacks. In that case, match video and audio jacks accordingly.
3. While connecting to your TV, note which input channel you chose to connect cables to.
4. With TV on, select the correct input source chosen in the above step.






# Recording Operation

---

This machine can record the music & sound while playing a CD or CD+G disc or Bluetooth when connected or an Aux Input. The recording will be an MP3 file.

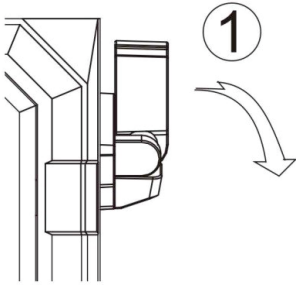
1. Switch on **Power**  (follow SETUP POWER page)
2. Insert an USB flash into the USB slot at the front panel
3. Plug in a Microphone(s) to any Microphone jacks (Mic 1 & Mic 2)
4. Slide the **FUNCTION** switch to a selected Mode that you want to record;
  - 4.1. If recording from a CD disk : Place the CD/CD+G disc onto the CD compartment and search the desired music track. Then press the **PLAY/PAUSE**  button to start playing;
  - 4.2. If recording from Bluetooth connection : Refer to Bluetooth Operation section for pairing, then select the music track. press the **PLAY/PAUSE**  button to start playing;
  - 4.3. If recording from Aux In: Connect to an external device to the 3.5mm AUX IN jack. (with the supplied AUX IN cable), then activate your device to start playing;
5. After the above setting procedures, press the **REC.** button to start recording and the word “REC..%”will show up on screen;
6. To stop recording, press the **REC.** button once;
7. Record Playback :

Return to **FUNCTION** Switch and slide to **USB** mode, then press the **PAGE +& -** to “REC” folder playback, the last recorded song defaults in the end of the recording list. Press ( **SKIP**  /  ) to pick the last file which you just recorded. press ( **PLAY/PAUSE**  ) button to start playing the recorded file.

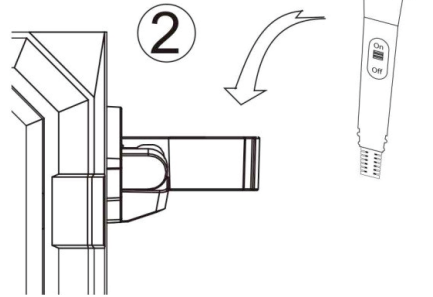
# Microphone

When either one or two Microphones are plugged into the MIC 1 jack / MIC 2 jack, their output is mixed with the playback from USB / Bluetooth

## Pull down the mic holder



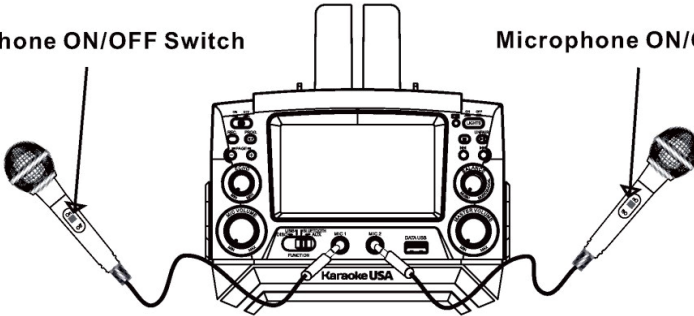
## Install the microphone onto the mic holder



## Using mic volume

Microphone ON/OFF Switch

Microphone ON/OFF Switch



Adjust corresponding MIC VOLUME knob for best balance between playback and microphone (singing) levels.



# Echo / Balance Control

---

## Echo

Adjust the **ECHO** dial of **Karaoke Machine** to enhance your voice for a concert hall effect.

## Balance

Rotate the **BALANCE** dial of **Karaoke Machine** to hear the music and vocals or to hear the music only.

Notes: To use the **BALANCE** dial, a CD+G disc must be used. Otherwise it will operate as a standard **BALANCE** control.


# LED Light Show Operation

---

Press the **LIGHT** button to turn on / off LED light show on speaker grill.

# Specifications

---

AC Power Adapter Connect DC Jack	Use included adapter AC~ Input 100-240V 50/60Hz, DC Output 5V , 2000mA
Bluetooth	For Music Share V5.0 + EDR
CD Player	Support CDs, CDG and MP3G discs 4.75 / 3.25 inch 
Master Power Output	3W x 1 RMS
Built-in Battery	3.7V, 2500mAh
Loud Speakers Spec	3.5 Inch, 8 Watt , 2 Ohm

Specifications are typical, individual units might vary. They are subject to continuous improvement without notice and without incurring any obligation.

# Troubleshooting

	Symptom	Possible Problem	Solution
<b>General</b>	No Power	Power outlet	Ensure all are connected firmly
		power adaptor	
		DC IN jack	
		Power switch ON/ OFF position	Ensure the switch is in "ON" mode
	Powered but not respond	Unit in the wrong mode	Select the correct mode
Needs to reset machine		Turn off the unit then turn on again	
<b>Microphone</b>	Volume too low	Adjust Microphone volume setting	Set the microphone volume higher especially when recording
<b>Play USB</b>	Not reading	No files or wrong format file on your USB	Download the files to your device and try different format if necessary
	No function at all	wrong format or been used too long time	Backup your files on your computer and format the USB
<b>Bluetooth</b>	Not pairing	In the wrong mode	Set to Bluetooth mode
	Music too low	Volume setting too low on your smart device	Turn both volumes up on your smart device and the machine

# Troubleshooting

---

	<b>Symptom</b>	<b>Possible Problem</b>	<b>Solution</b>
<b>Play AUX IN</b>	No music	AUX IN cable not connected properly	Ensure the AUX IN cable connect to the correct AUX IN input jack on the front
		Unit set in BLUETOOTH mode	Set the Function switch to AUX IN mode
		The volume setting too low on your smart device and the unit	Set the volume higher on your smart device and the unit
<b>Play Disc</b>	No picture displays on the unit	No disc	Put in a disc
		Disc stained, warped or scratched	Ensure the disc is in good condition
		Wrong disc type	The unit will plays CD, CD+G, MP3+G
		Unit set in wrong mode	Set the Function switch in DISC mode

# Karaoke USA

KARAOKE USA  
1185 GOODEN CROSSING  
LARGO, FL 33778 USA

TECH SUPPORT: [WWW.KARAOKEUSA.COM/CS](http://WWW.KARAOKEUSA.COM/CS)  
DOWNLOAD SONGS: [WWW.SINGTHEHITS.COM](http://WWW.SINGTHEHITS.COM)  
SALES DEPARTMENT: [SALES@KARAOKEUSA.COM](mailto:SALES@KARAOKEUSA.COM)

**Karaoke USA**

**Reproductor de Karaoke CDG/MP3 portátil y sistema PA con pantalla de color TFT de 4,3", Bluetooth, funciones de grabación y baterías incorporadas**

**SP** MANUAL DE USUARIO

MODELO:  
GQ450



Dispositivo inteligente no incluido.

Favor de leer las siguientes instrucciones antes de operar este producto.



# Contenidos

---

WARNINGS AND PRECAUTIONS.....	01
INSTRUCCIONES DE SEGURIDAD.....	02
¿QUÉ HAY EN LA CAJA?.....	03
CARACTERÍSTICAS.....	04
CONTROLES PRINCIPALES.....	05-06
CONTROLES PRINCIPALES.....	06
FUNCIONES DEL MONITOR/PANTALLA.....	07
CONFIGURACIÓN – RECARGA DE BATER.....	08
OPERACIÓN CON MEMORIAS USB.....	09
OPERACIÓN BLUETOOTH.....	09
CONECTAR A UN DISPOSITIVO EXTERNO CON AUX IN.....	10
USANDO CD+G, CDS.....	10
CONECTANDO A UN TELEVISOR EXTERNO CON SALIDA DE VIDEO.....	11
OPERACIÓN DE GRABACIÓN.....	12
MICRÓFONO.....	13
CONTROL DE ECO / BALANCE.....	14
ESPECIFICACIONES.....	14
GUÍA DE SOLUCIÓN DE PROBLEMAS.....	15-16

# WARNINGS AND PRECAUTIONS

**ADVERTENCIAS:** Para reducir el riesgo de incendio o choques eléctricos, no exponga este producto a lluvia o humedad.

**PRECAUCIÓN:** El uso de controles, ajustes o procedimientos diferentes a los explicados pueden ocasionar exposición a radiación más peligrosa.

“Marcas de precaución y etiquetas de clasificación energética” (“Caution Marking and Rating Label”) está localizada debajo de la cubierta o en la parte inferior de la unidad cuya



Este símbolo tiene la intención de alertarle la presencia de peligros sin aislamiento de voltaje dentro adjunto del producto que puede ser de suficiente magnitud para constituir un riesgo de choque eléctrico. NO LO ABRA.



Este símbolo tiene la intención de informarle que las instrucciones importantes de mantenimiento funcionamiento se incluyen en la literatura que acompaña este producto.

## SEGURIDAD

Para unidades con adaptador de corriente AC y cordón:

- El adaptador de corriente debe mantenerse operable para su uso previsto. Desconectarlo cuando no vaya a usar la unidad durante un período prolongado.
- Para conectar o desconectar el adaptador AC, coger siempre el propio adaptador y nunca el cordón, que puede llegar a dañar la unidad y suponer un riesgo.

Para unidades con pilas recargables:

- No exponer las pilas en entornos sujetos a las condiciones siguientes - Frío o calor extremo, sol, fuego.

## HUMEDAD Y CONDENSACIÓN

Si la unidad está expuesta a humedad y frío excesivo y que es desplazada a un sitio caluroso, suele ocurrir la condensación sobre los componentes internos de la unidad. En esta circunstancia, encenderla puede ocasionar daño a la unidad así como al usuario. Dejar la unidad en un ambiente cálido y con buena ventilación durante 1 a 3 horas para que se sequen.

## EN USO

- La unidad no debe ser expuesta a calor excesivo, tal como el frío, suciedad y humedad.
- La ventilación adecuada no debe ser impedida por colocar el producto sobre cama, alfombra, cubierta u otra superficie similar.

## NOTICIA FCC

Este dispositivo cumple con la parte 15 de las reglas FCC. La operación del aparato está sujeta a las siguientes condiciones:

1. Este aparato no puede causar interferencia perjudicial.
2. Este aparato debe aceptar cualquier interferencia recibida, incluyendo interferencias que puedan causar un funcionamiento no deseado.



# INSTRUCCIONES DE SEGURIDAD

**1. Leer estas instrucciones:** Debe leer todas las instrucciones de seguridad y funcionamiento antes de hacer funcionar este producto.

**2. Guardar estas instrucciones:** Debe guardar las instrucciones de seguridad y funcionamiento para futuras referencias.

**3. Prestar atención a todas las advertencias:** Debe adherirse a todas las advertencias sobre el producto y a las instrucciones de funcionamiento.

**4. Seguir todas las instrucciones:** Debe seguir todas las instrucciones de funcionamiento y uso.

**5. Agua y humedad:** No utilizar este producto cerca del agua—por ejemplo, cerca de una bañera, un lavabo, un fregadero de la cocina, o un lavadero, en un sótano húmedo, o cerca de una piscina, etc. El equipo no se debe exponer a goteos o salpicaduras ni a objetos que contengan líquidos, tales como jarrones, se debe colocar sobre el equipo.

**6. Limpieza:** Limpiarlo solamente con un paño seco. Desenchufar este producto desde el enchufe de la pared antes de limpiarlo. No usar limpiadores líquidos o limpiadores en aerosol.

**7. Ventilación:** Las ranuras y aberturas en el gabinete son necesarias para la ventilación y asegurar un funcionamiento fiable del producto y prevenirlo de sobrecalentamiento, estas aberturas no deben ser obstruidas o cubiertas. Las aberturas nunca deben bloquearse por colocar el producto sobre una cama, sofá, alfombra u otra superficie similar. Este producto no debe colocarse en una instalación empotrada como una librería o estante a menos que se proporcione ventilación conveniente o se haya adherido las instrucciones del fabricante.

**8. Calor:** No instalar cerca de cualquier fuente de calor, tales como radiadores, acumuladores de calor, estufas, u otros aparatos (incluyendo amplificadores) que produzcan calor.

**9. Toma de tierra o polarización:** No derrotar el propósito de seguridad del enchufe polarizado o enchufe con conexión a tierra. Un enchufe polarizado tiene dos hojas, una más ancha que la otra. Un enchufe conexión a tierra tiene dos clavijas y una tercera de tierra. La hoja ancha o la tercera clavija es proporcionada para su seguridad. Si el enchufe proporcionado no encaja en su toma de corriente, consultar con un electricista para cambiar la toma de corriente obsoleta.

**10. Protección de los Cables de Alimentación:** Proteger los cables de alimentación para que no se pisen ni se pellizquen particularmente en los enchufes, enchufes de conveniencia y el punto donde salen del equipo.

**11. Accesorios:** Sólo utilizar accesorios especificados por el fabricante. No colocar este producto encima de un carro inestable, pedestal, trípode, soporte o mesa. El producto podrá caerse y provocar lesiones graves a un niño o un adulto y serios daños al producto. Utilizar únicamente un carro, pedestal, trípode, soporte o mesa recomendado por el fabricante o vendido con el producto. Cualquier montaje del producto debe seguir las instrucciones del fabricante y utilizar un accesorio de montaje recomendado por el fabricante.

**12. Transporte:** Una combinación del producto y el carro debe ser movido con cuidado. Utilizar solamente con el carro, soporte, trípode, soporte o mesa especificado por el fabricante, o el vendido con el equipo. Cuando se utiliza un carro, tener cuidado al mover el carro/ combinación del equipo para evitar posibles daños por vuelco.



S3125A

PORTABLE  
CART  
WARNING

**13. Tormenta:** Desenchufar este aparato y desconectar la antena o el sistema de cable durante tormentas eléctricas o cuando no lo utilice durante largo período. Esto evitará los daños al producto debido a rayos y aumentos repentinos de la línea de energía.

**14. Servicios:** No intentar reparar este producto usted mismo porque abrir o retirar las cubiertas podrá exponerse a un voltaje peligroso u otros peligros. Consultar todos los servicios a persona de servicio cualificada.

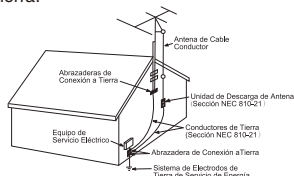
**15. Fuentes de Energía:** Conectarlo solamente al suministro de energía de tipo doméstico como se indica en las instrucciones de funcionamiento y etiqueta. Si no está seguro del tipo de suministro de energía de su casa, consultar a su distribuidor del producto o a la compañía eléctrica local. En cuanto a los productos diseñados para funcionar con energía de la batería, u otras fuentes, acuda a las instrucciones de funcionamiento.

**16. Sobrecarga:** No sobrecargar el enchufe de la pared o cables de extensión ya que esto puede causar un riesgo de incendio o choque eléctrico.

**17. Objetos extraños:** No introducir objetos extraños como polvo, agua, humedad o insectos. No dejar materiales extraños o químicos entrar en la unidad y evitar posibles incendios, choques eléctricos, u otros peligros.

**18. Piezas de repuesto y control de seguridad:** Cuando se requieren las piezas de recambio, asegurarse de que el técnico de servicio ha utilizado piezas de repuesto especificadas por el fabricante. Solicitar al técnico de servicio a llevar a cabo controles de seguridad para garantizar el correcto funcionamiento y evitar posibles incendios, choques eléctricos, u otros peligros.

**19. Antena de tierra fuera de casa:** Si una antena fuera de casa o un sistema de cable está conectado al producto, asegurarse de que la antena o el sistema de cable está conectado a tierra a fin de proporcionar cierta protección contra aumento de voltaje y cargas estáticas empotradas. Artículo 810 del Código Eléctrico Nacional, ANSI/NFPA 70, proporciona información con respecto a la adecuada conexión a tierra del mástil y el apoyo de estructura, la conexión de antena a los electrodos de tierra, y los requisitos para los electrodos de tierra.



**20. Montaje de Pared o Techo:** El producto debe fijarse en un apareado un techo recomendado por el fabricante.

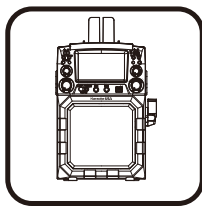
**21. Desconectar dispositivos:** En caso de que el conector de CA o un aparato acoplador se utiliza como dispositivo de desconexión, el dispositivo de desconexión debe permanecer fácilmente operable.

**22. Enchufe Adjunto de Protección:** El producto está equipado con un enchufe adjunto que tiene protección contra sobrecarga. Esto es una característica de seguridad. Ver el Manual de Instrucciones de sustitución o de reajuste de dispositivo de protección. Si la sustitución de enchufe se necesita, asegurarse de que el técnico de servicio utiliza un enchufe de reemplazo especificado por el fabricante que tiene la misma protección de sobrecarga como el original enchufe.

**23. Línea de energía:** Un sistema de antena exterior no debe estar situada en las proximidades de las líneas de energía de sobrecarga u otra luz eléctrica o circuitos de potencia, o donde se puede caer en tales líneas o circuitos de potencia. Cuando se instala un sistema de antena fuera de casa, tener mucho cuidado para evitar tocar tales líneas o circuitos de potencia porque el contacto con ellos podría ser fatal.

# ¿QUÉ HAY EN LA CAJA?

---



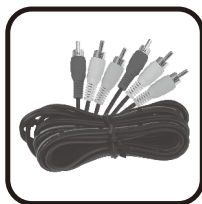
GQ450 X 1



Micrófono x 1



Cable Aux x 1



Cable RCA x 1



Adaptador AC x 1  
DC5V/2A



Soporte de dispositivo  
inteligente x 1



Disco CDG  
demo x 1



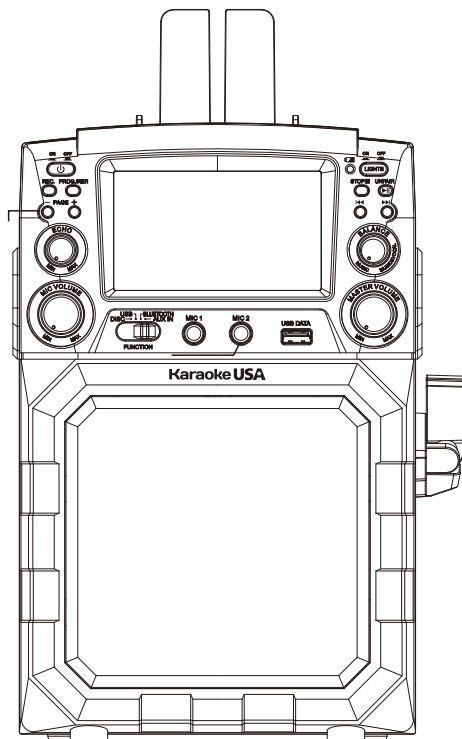
Manual de  
usuario x 1



Tarjeta de  
garantía x 1

# CARACTERÍSTICAS

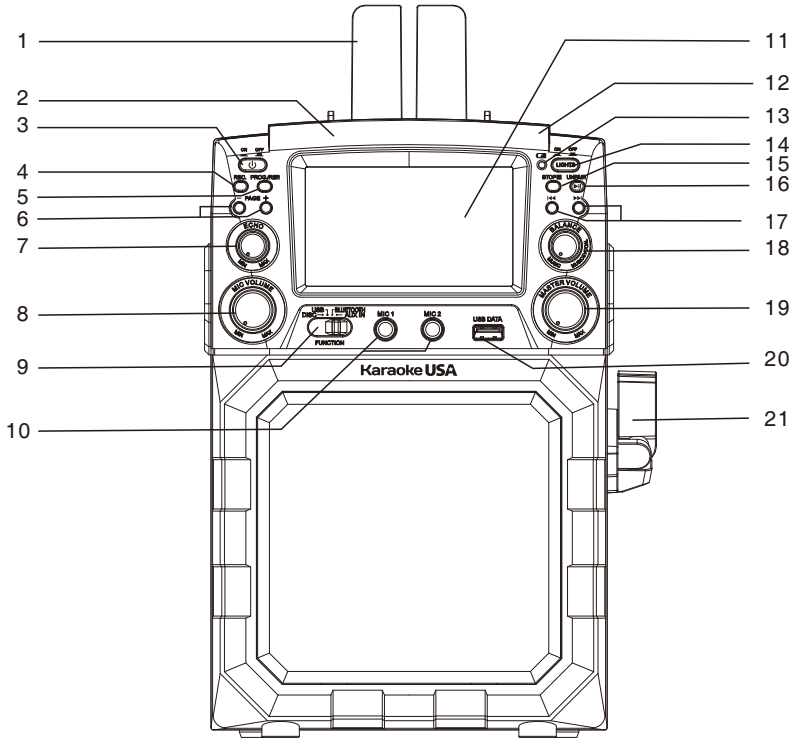
---



- Pantalla de color TFT de 4,3"
- Potencia máxima de salida de 40W (10W RMS)
- Compatible con MP3/CDG
- Graba voces y la música
- Conexión inalámbrica y parlantes Bluetooth inalámbrico
- Parlantes con luces
- Compatible con dispositivos inteligentes
- Incluye 25 canciones de Karaoke en un disco CDG
- 1 micrófono con soporte
- 2 entradas de micrófono
- Control de volumen maestro
- Control de volumen maestro del micrófono
- Control de eco analógico
- Control de balance
- Conexiones de salida RCA AV
- Compatible con memoria USB
- Baterías recargables de litio incorporados (2 horas de reproducción de música)
- Adaptador AC/DC (aprobado con la norma UL) (AC 100V/50Hz-AC 240V/60Hz)

# CONTROLES PRINCIPALES

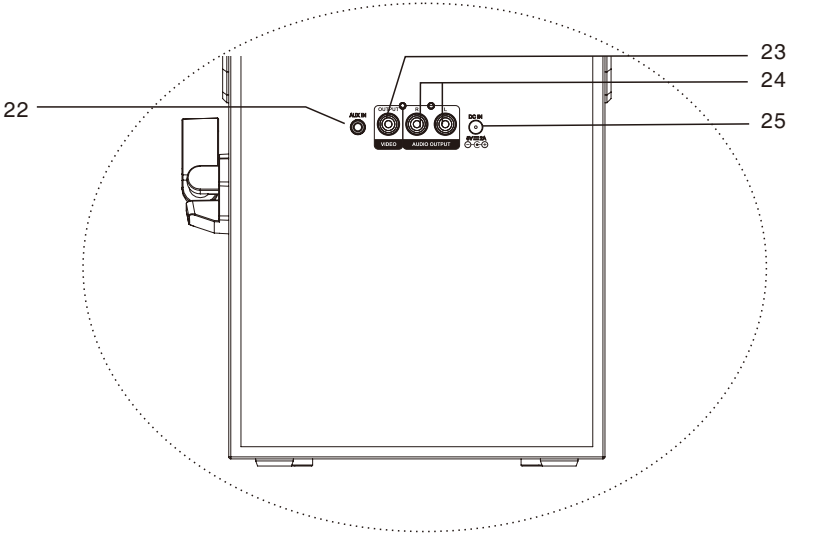
## Vista Fronta



- |   |   |
|---|---|
| 1. Sólido para dispositivos inteligentes      | 11. Área de apertura de la compuerta de CD  |
| 2. Compuerta de CD                            | 12. Indicador de batería                    |
| 3. Botón de encendido/apagado                 | 13. Botón de encendido/apagado de las luces |
| 4. Botón de grabación                         | 14. Botón parar ■                           |
| 5. Botón de Programación / Reproducción       | 15. Botón reproducir / desincronizar ►      |
| 6. Página +/-                                 | 16. Botón anterior/siguiente ◀◀ / ▶▶        |
| 7. Botón Eco                                  | 17. Perilla de ajuste del balance           |
| 8. Perilla de ajuste del volumen de micrófono | 18. Perilla de ajuste del volumen maestro   |
| 9. Selector Disco / Bluetooth / USB / Audio   | 19. Puerto USB                              |
| 10. Entrada del micrófono 1/2                 | 20. Soporte de micrófono                    |
| 11. Pantalla TFT                              |   |

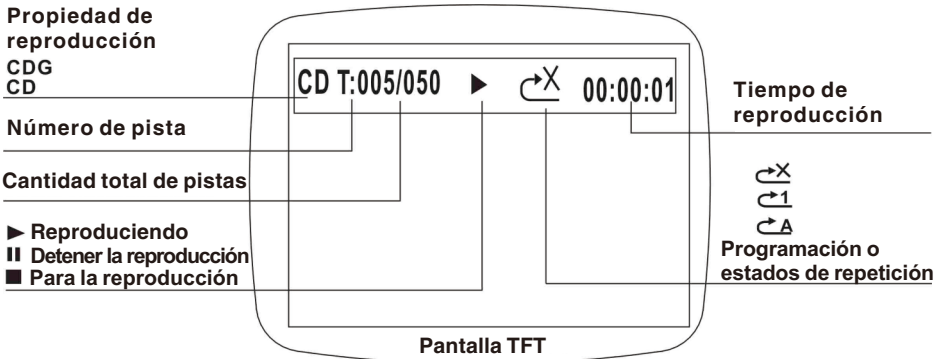
# CONTROLES PRINCIPALES

Vista trasera



- 22. Entrada de audio AUX IN
- 23. Salida de video
- 24. Salida de audio
- 25. Alimentación de entrada 5V DC

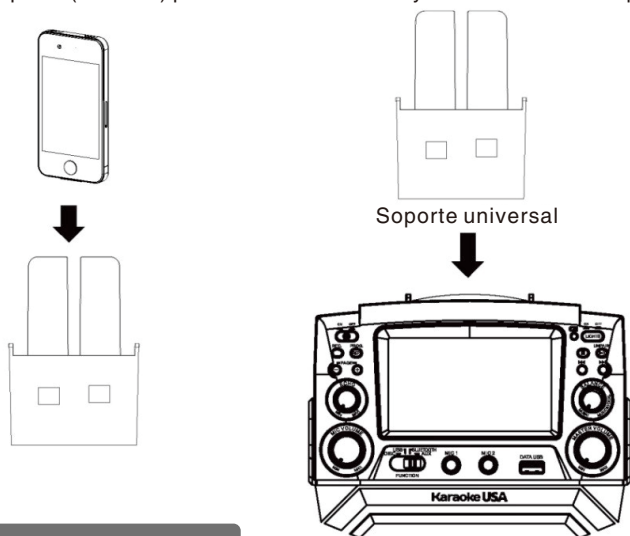
# FUNCIONES DEL MONITOR/PANTALLA



# CONFIGURACIÓN DEL SOPORTE DE DISPOSITIVOS INTELIGENTES

## Instalar el soporte en el equipo

Instale el soporte (incluido) para teléfonos móviles y tabletas sobre el equipo



## Colocar dispositivo externo

Inserte el reproductor personal, teléfono móvil y/o tableta en e soporte sobre el equipo.

