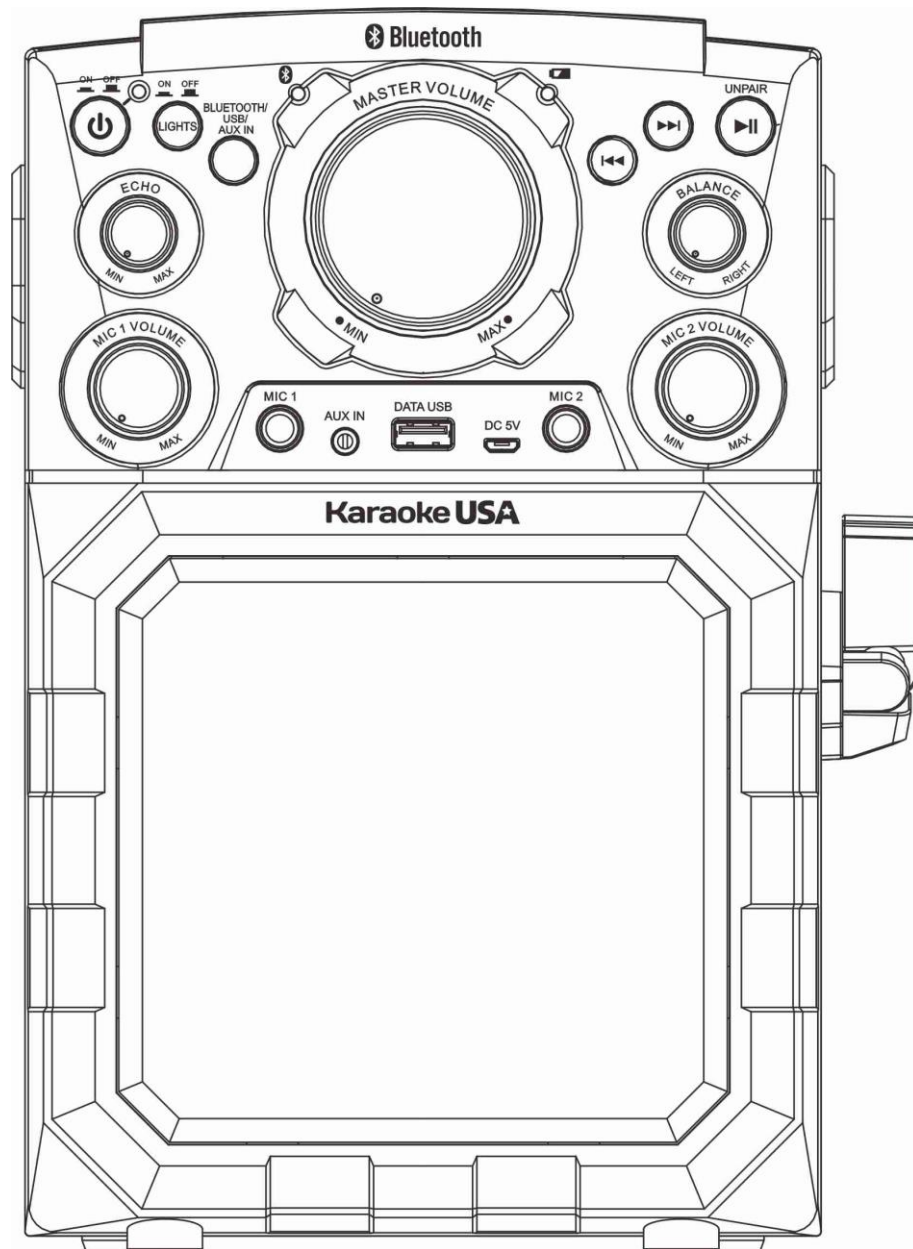


# Bluetooth Karaoke Speaker

Model: GQ410



## Instruction Manual

PLEASE READ BEFORE OPERATING THIS EQUIPMENT

## FCC warning

---

FCC ID: [2ASQA-393410](#)

**Warning:** Changes or modifications to this unit not expressly approved by the party responsible for compliance could void the user's authority to operate the equipment.

**Note:** This equipment has been tested and found to comply with the limits for a Class B digital device, pursuant to Part 15 of the FCC Rules. These limits are designed to provide reasonable protection against harmful interference in a residential installation. This equipment generates, uses and can radiate radio frequency energy and, if not installed and used in accordance with the instructions, may cause harmful interference to radio communications. However, there is no guarantee that interference will not occur in a particular installation. If this equipment does cause harmful interference to radio or television reception, which can be determined by turning the equipment off and on, the user is encouraged to try to correct the interference by one or more of the following measures:

- Reorient or relocate the receiving antenna.
- Increase the separation between the equipment and receiver.
- Connect the equipment into an outlet on a circuit different from that to which the receiver is connected.
- Consult the dealer or an experienced radio/TV technician for help.

This equipment complies with FCC radiation exposure limits set forth for an uncontrolled environment.

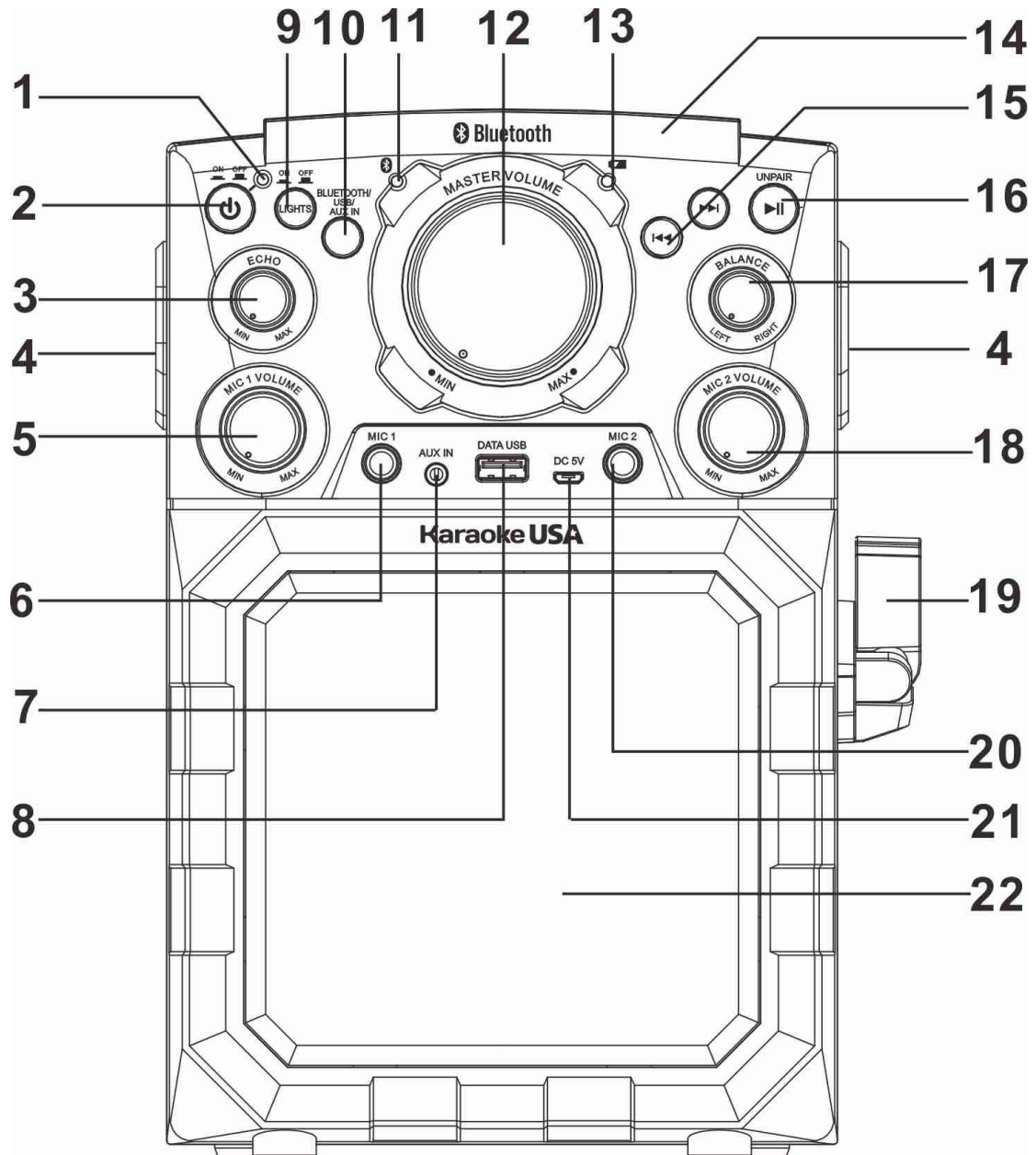
This equipment should be installed and operated with minimum distance 20 cm between the radiator & your body.

This device complies with Part 15 of the FCC Rules. Operation is subject to the following two conditions:

- (1) This device may not cause harmful interference, and
- (2) This device must accept any interference received, including interference that may cause undesired operation.

**Note:** Under the influence of electrostatic phenomenon, the product may malfunction and require user to reset (Press the POWER button to off unit a few minutes and turn on again).

# Main location controls



## Main location controls

---

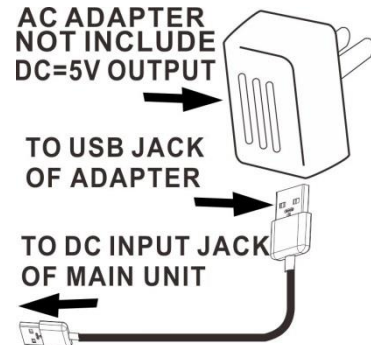
- |                                    |                             |
|------------------------------------|-----------------------------|
| 1. POWER Indicator                 | 12. VOLUME Knob             |
| 2. POWER ON/OFF Button             | 13. BATTERY Indicator       |
| 3. ECHO Knob                       | 14. DEVICE PLACE AREA       |
| 4. CARRY HANDLE                    | 15. SKIP ◀◀ / ▶▶ Button     |
| 5. MIC 1 VOLUME Knob               | 16. PLAY ▶▶ / UNPAIR Button |
| 6. MIC 1 Input                     | 17. BALANCE Knob            |
| 7. AUX IN Input                    | 18. MIC 2 VOLUME Knob       |
| 8. USB Input                       | 19. MIC Holder              |
| 9. LIGHT ON/OFF Button             | 20. MIC 2 Input             |
| 10. BLUETOOTH / USB / AUX Selector | 21. DC Input (5V)           |
| 11. BLUETOOTH Indicator            | 22. SPEAKER & LIGHT SHOW    |

## Setup – Charging battery

---

### BUILT-IN RECHARGEABLE BATTERY OPERATION

1. This unit will also operate using the built-in Lithium rechargeable battery.
2. Plug the charging cable with micro USB output jack to connect DC input jack of main unit and other end connect to power adapter (not include)
3. Fully charge the built-in rechargeable battery before first use, the CHARGE INDICATOR will turn from Red to Green when the built-in battery is fully charged.
4. Unplug the DC INPUT jack of main unit. The unit will enter Battery Operating mode automatically.



### LOW BATTERY INDICATION

1. When the built-in battery power low and the CHARGE INDICATOR will light Red and flash, please connect the unit to AC adaptor for charging.
2. After prolonged use, the battery voltage may discharge and operation might become intermittent. When this happens, please recharge the internal battery.

**Notes:** Rechargeable batteries need to be cycled for maximum performance and longer battery life. If you don't use the player that often, be sure to recharge the battery at least once a month in order to keep the internal battery working properly.

## Bluetooth operation

---

### Pairing with mobile / tablet

1. Press POWER button to turn on unit
2. Press the BLUETOOTH / USB / AUX selector to USB mode.
3. The Bluetooth Indicator will flash blue quickly, and the unit will enter pairing mode.
4. When pairing, remain within 3 feet of the unit.
5. On your Bluetooth device, select the “XXXX” in your Bluetooth settings to pair. If your device requests a password “0 0 0 0 “
6. When successfully paired and connected, the Bluetooth Indicator will be light and a beep will sound from the unit.

### Playing Audio Wirelessly

1. After pairing successful, press PLAY button / PLAY icon of external device to start playing music. Rotate VOLUME knob to correct sound level
2. Press SKIP buttons of unit / external device to other track to play.
3. After selection, audio played through the connected Bluetooth device will now be heard through the speakers.
4. When USB playing, press the PLAY button once to pause mode and press the button again to resume.

## USB operation

---

This unit is designed to play USB device music file..

### Install USB device

Install the USB device to USB jack

### Play the USB device

1. Press POWER button to turn on unit
2. Press the BLUETOOTH / USB / AUX selector to USB mode.
3. Press the Play button to start playing. Rotate VOLUME knob to correct sound level



### Using the skip and search function

1. Press the SKIP buttons to search music track.
2. Hold the SKIP buttons to fast search the desert track forward or rewind.

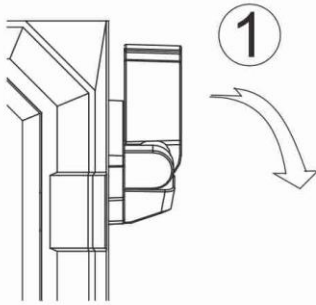
### Using pause function

When USB playing, press the PLAY button once to pause mode and press the button again to resume.

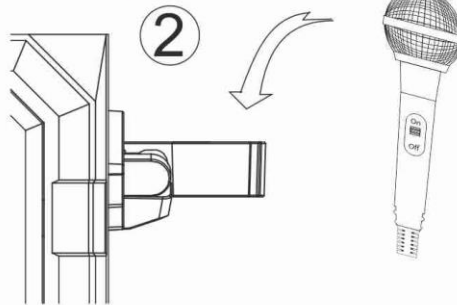
# Microphone

When either one or two Microphones are plugged into the MIC 1 jack / MIC 2 jack, their output is mixed with the playback from USB / Bluetooth / AUX  
Adjust corresponding MIC VOLUME knob for best balance between playback and microphone (singing) levels.

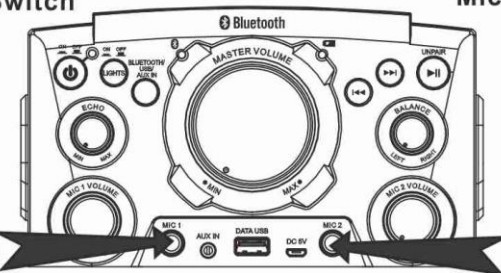
Pull down the mic holder



Install the microphone onto the mic holder



Microphone ON/OFF Switch

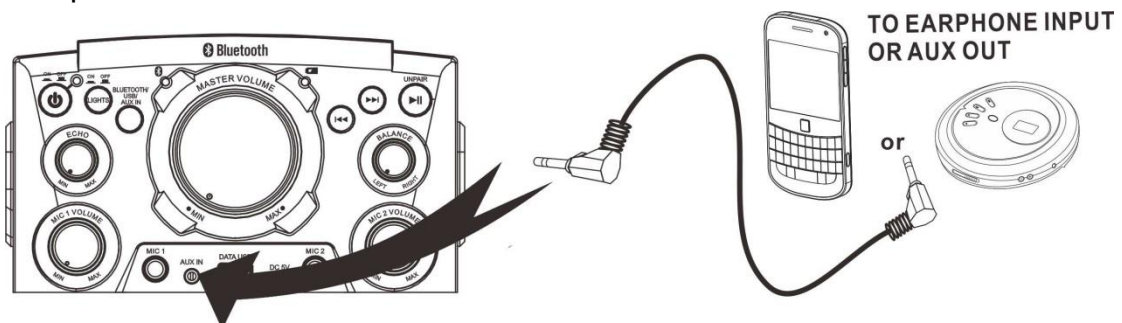


Microphone ON/OFF Switch



## Using Aux in (Audio in / Line in ) for Connect to external device

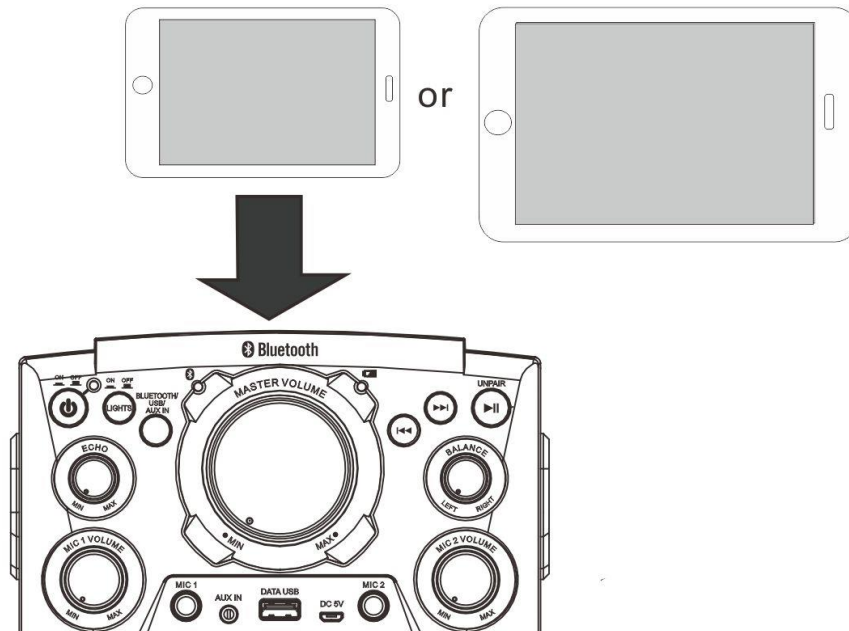
1. Press POWER button to turn on unit
2. Press the BLUETOOTH / USB / AUX selector to AUX mode.
3. Plug audio cable to AUX jack.
4. Plug other end of audio cable to external device aux out / audio out / line out / phone out jack.
5. After turn on both unit power, the external device will sound out from unit speaker. Rotate VOLUME knob to correct sound level



## Device placement area

---

Placing the device horizontal onto the top of unit



## Echo / Balance Control

---

### Echo

Adjust ECHO to add depth and richness to vocals.

### Balance

Adjust BALANCE for balance between the pre-recorded singer's voice and the music if you are using a multiplex karaoke disc.

## LED light show operation

---

Press the LIGHT button to turn on / off LED light show on speaker grill.