

SHENZHEN ATN COMMUNICATION TECHNOLOGY CO.,LTD

Antenna Test Report

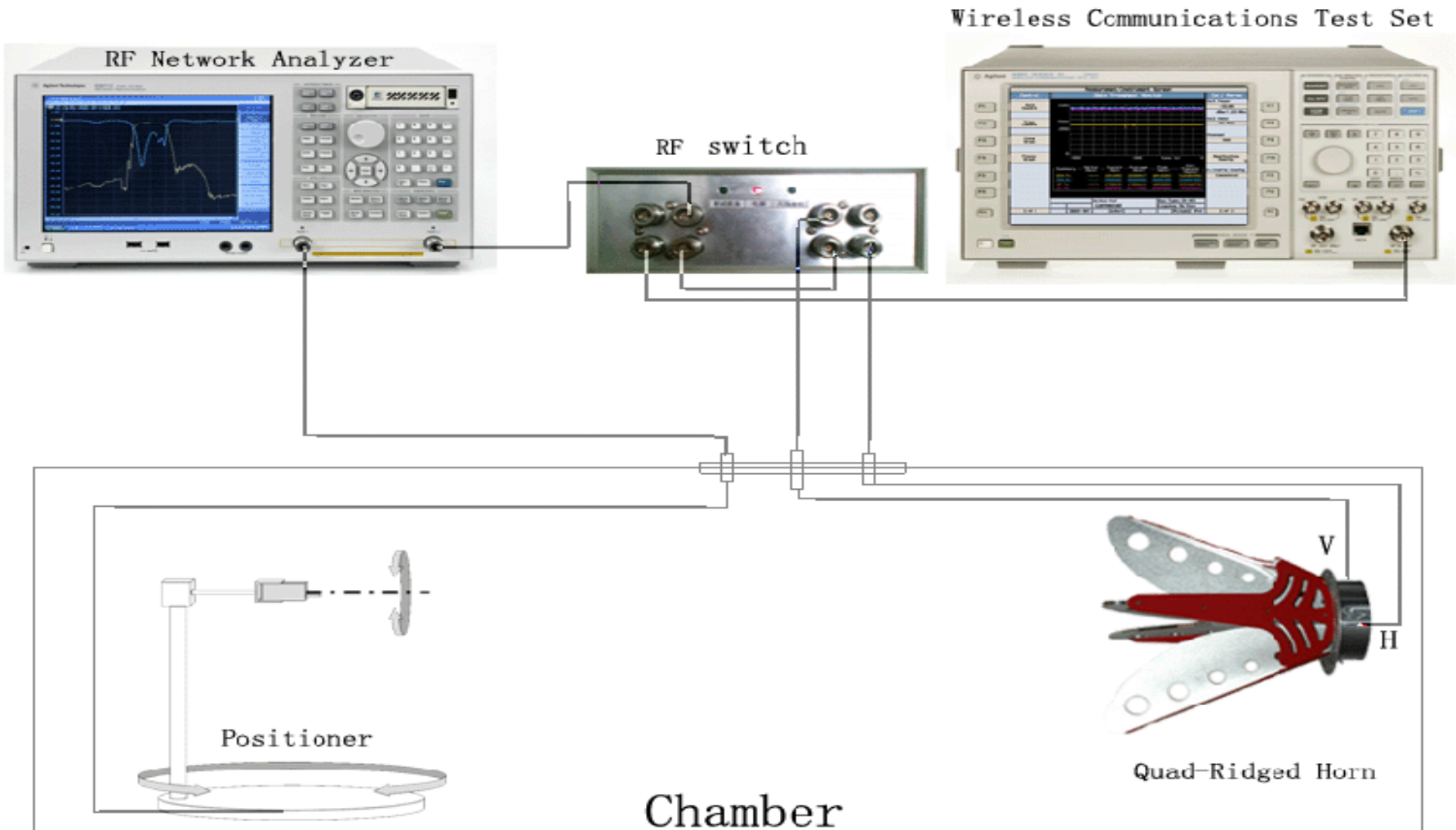
Customer:	boeleo	Project:	BL20	Date:	2022.11.29
Frequency band:	2.4-2.48G Hz				
RF:	Zilongliu				
Antenna category:	FPC				

Add: 504-505 Meisheng Chuanggu Xiagu, Longchang Road, Xin'an Street, Bao'an District, Shenzhen

Tell: 0755-29308863

Fax: 0755-29308861

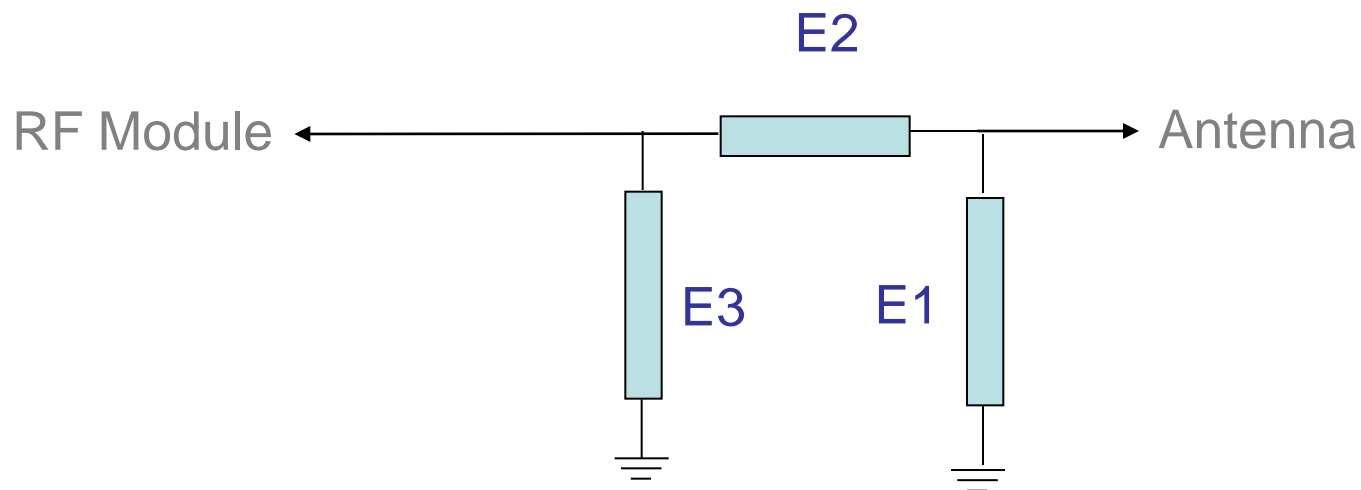
Test system



List

- 1、 Matching circuit
- 2、 OTA test data
- 3、 Antenna drawing
- 4、 Test machine

一、 Matching circuit



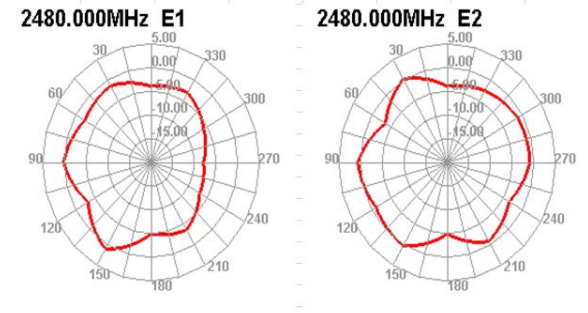
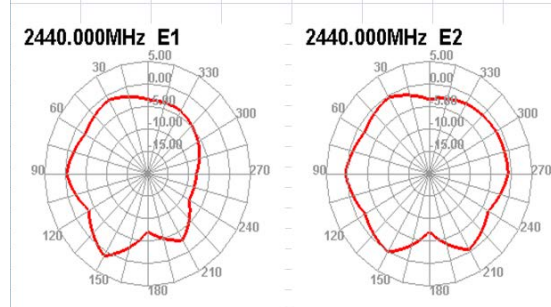
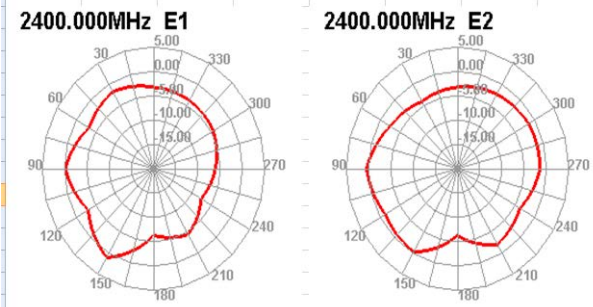
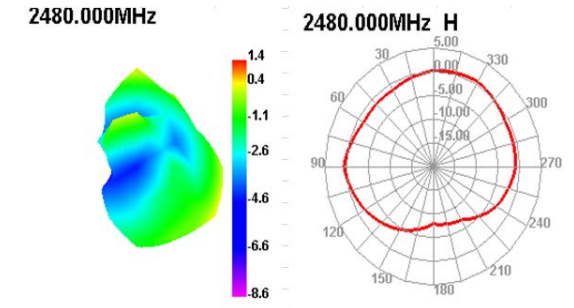
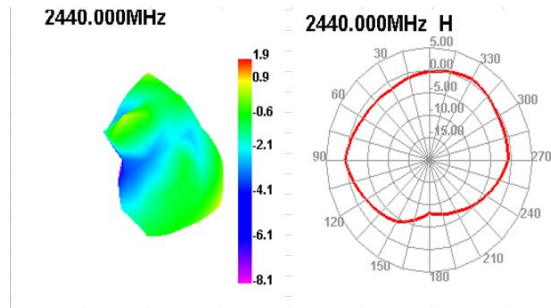
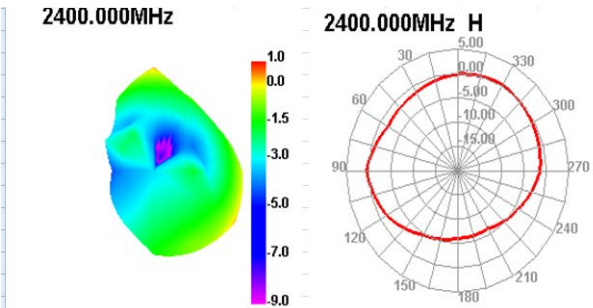
Element	Value
E1(0201)	
E2(0201)	
E3(0201)	
The original has not been changed	

二、 Test data

2.1 Gain & Efficiency

Freq (MHz)	Effi (%)	Gain (dBi)
2410	41.46	-1.03
2420	44.41	-0.53
2430	44.4	-0.62
2440	46.67	0.51
2450	46.41	-0.16
2460	52.41	0.69
2470	53.83	0.7
2480	58.26	1.05
AVERAGE	48.48	0.08

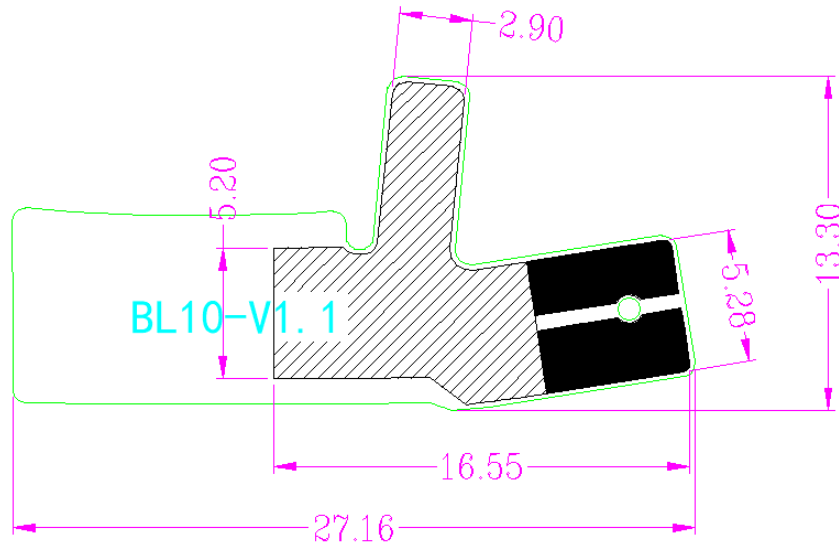
2.2 Radiation pattern



2.3 OTA test data

Band	channel	TRP (dBm)	TIS (dBm)
802.11b	1	12.5	-80.3
	6	12.9	-80.8
	12	13.0	-81.1

三、 Antenna drawing



四、 Test machine



END

