

Antenna Test Report

Test Lab: Shenzhen 3good Wireless Technology Co., Ltd  
manufacturer: Shenzhen 3good Wireless Technology Co., Ltd

# Specification

Customer		Specs	ASTRO A64
Part Number		Frequency Band	BT&2.4G WIFI:BT&2.4G WIFI:2402-2480 MHz;2412-2462 MHz 5G WIFI:5150~5250MHz,5725~5850MHz GSM850/900/1800/1900 WCDMA2/4/5 LTE B2/4/5/12/17/66/71/41
Color	black	Edition	
Customer confirmation:			
Join hands to create the future			

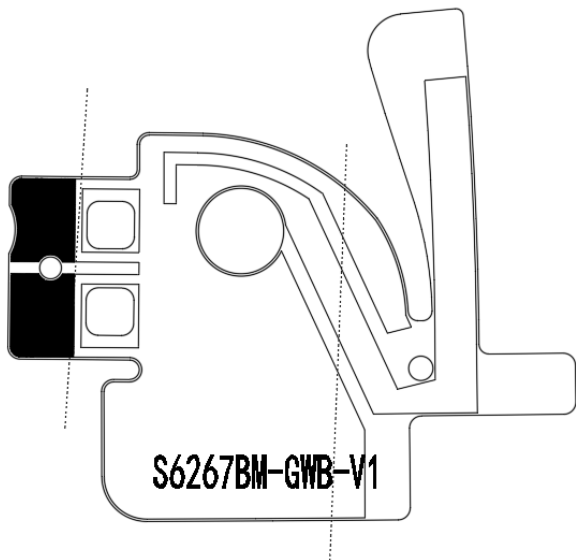
# Directory

1. (Product specification) .....	3
2. (Electrical performance) .....	3
(1) (Specification standard).....	3
(2) (Matching circuit).....	3
3. (Parameter test) .....	4
(1) (Test settings) .....	4
(2) (Test result) .....	4

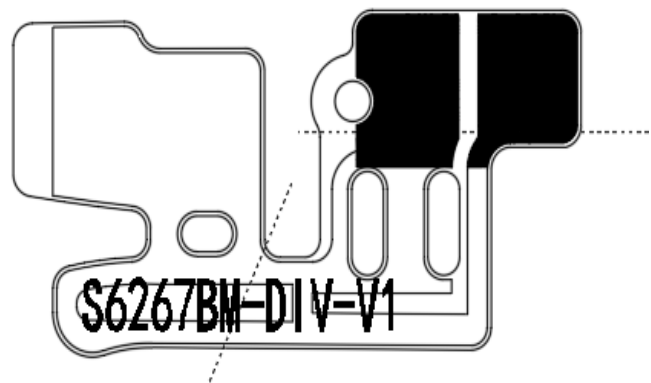
## Product specifications

The report mainly provides parameter tests of antenna performance. antenna is 4G antenna. (As shown in the figure below)

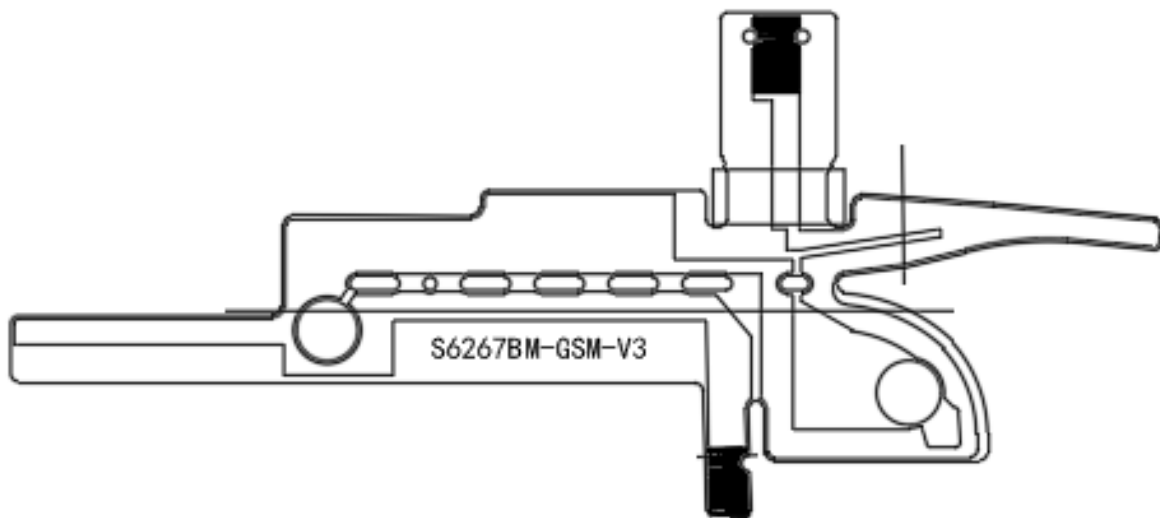
### Three in one antenna



### Diversity antenna



### Main set antenna



## Electrical performance

### 1.Specifications

The operating frequency band of S6267BM antenna is 699~960MHZ and 1710~2700MHZ, in which resonance occurs.

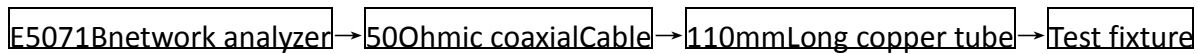
## 2. Matching circuit of antenna

Structure of antenna: FPC

### Test of parameters

#### 1. Test settings

The connection of VSWR test device is:



Treatment of test fixture:

Use a hard cable to lead out the SMA-J connector from the 50 ohm test point of the antenna on the mobile phone PCB, connect it to the copper tube with a choke, and then connect other devices in turn.

### Passive parameters of main antenna:

(Working frequency band): BT&2.4G WIFI:2402-2480 MHz;2412-2462 MHz

5G WIFI:5150~5250MHz,5725~5850MHz

GSM850/900/1800/1900

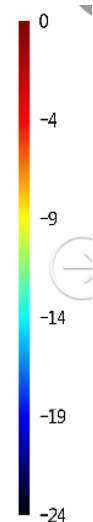
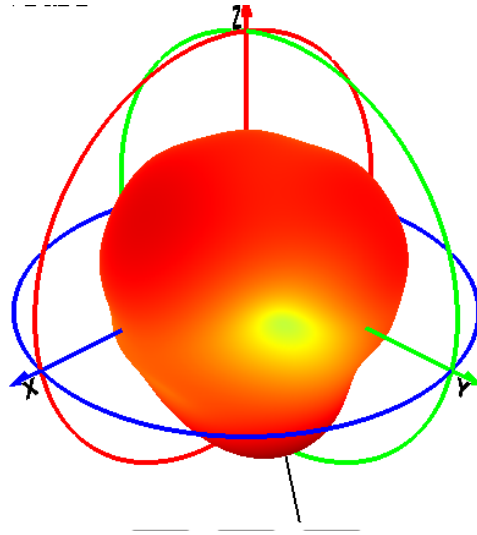
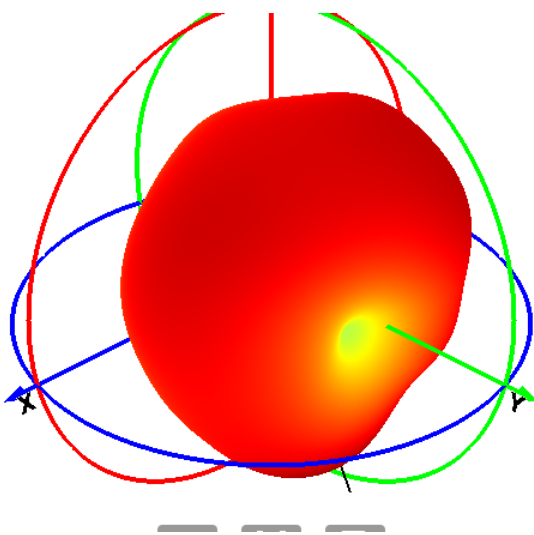
WCDMA2/4/5

LTE B2/4/5/12/17/66/71/41

Gain			
Band	gain (dBi)	Band	gain (dBi)
GSM850,WCDMA-B5,LTE-B5/B	-0.27	LTE-B41	0.88
GSM900	-0.17	LTE-B12//B17/B71	-0.57
DCS1800,WCDMA-B4,LTE-B4/66	0.58		
PCS1900,WCDMA-B2,LTE-B2	0.67		

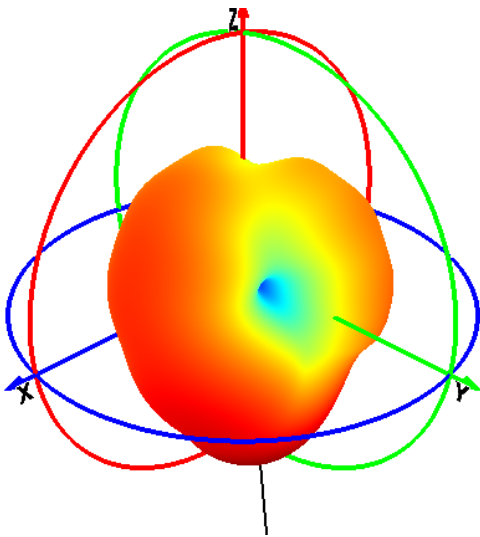
700

800

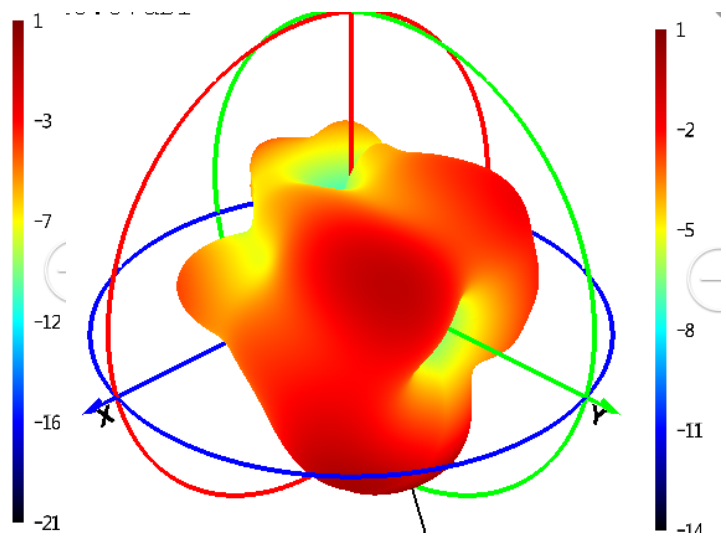


900

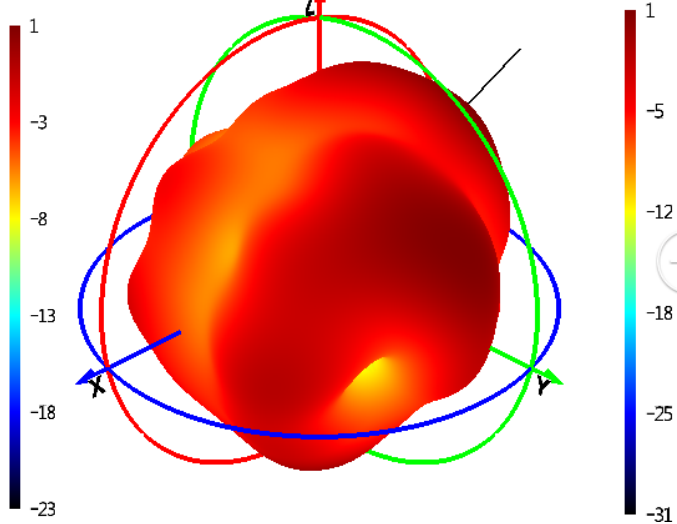
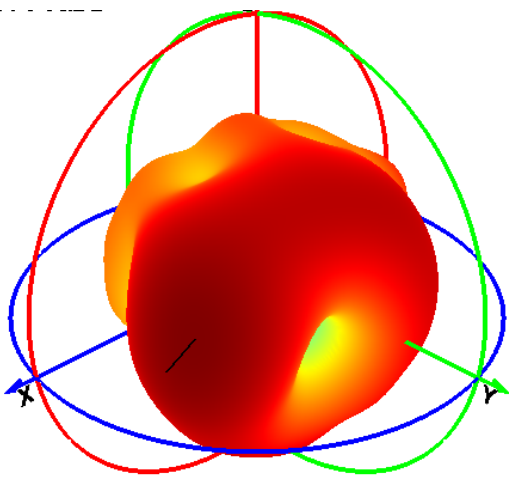
1700



1900



2700

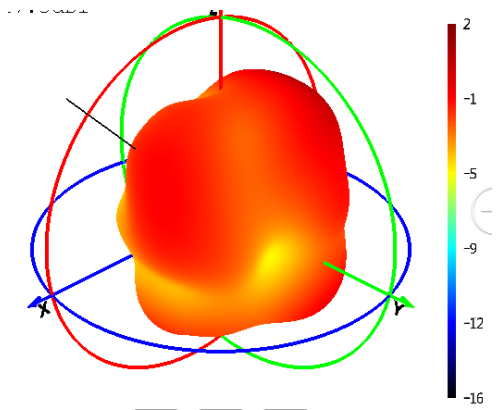


### GPS/WIFI/BTPassive parameters of antenna:

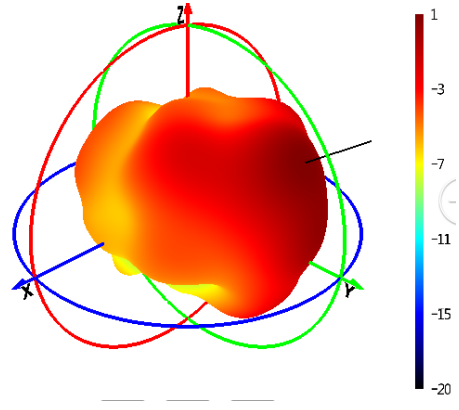
(Working frequency band): 1560~1580MHZ, 2400~2500MHZ,5180~8525MHZ

Gain			
Band	gain (dBi)	Band	gain dBi)
GPS	1.12	2.4G WIFI/BT	0.88
5G WIFI	-0.57		

GPS



2.4G WIFI/BT



5G WIFI

