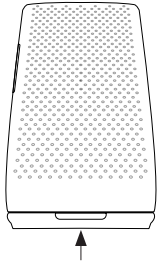
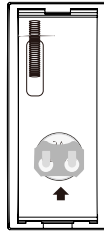


Battery replacement instructions



① Insert the flat blade of a small screwdriver into the pry-off slot of transmitter, twist the blade to remove the cover.



② Remove the used battery and replace with 1× CR2032 battery with the plus (+) symbol facing up.

FCC Statement

This equipment has been tested and found to comply with the limits for a Class B digital device, pursuant to Part 15 of the FCC Rules. These limits are designed to provide reasonable protection against harmful interference in a residential installation. This equipment generates uses and can radiate radio frequency energy and, if not installed and used in accordance with the instructions, may cause harmful interference to radio communications. However, there is no guarantee that interference will not occur in a particular installation. If this equipment does cause harmful interference to radio or television reception, which can be determined by turning the equipment off and on, the user is encouraged to try to correct the interference by one or more of the following measures:

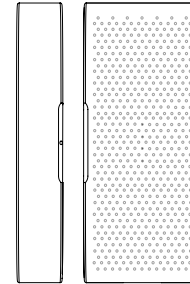
- Reorient or relocate the receiving antenna.
- Increase the separation between the equipment and receiver.
- Connect the equipment into an outlet on a circuit different from that to which the receiver is connected.
- Consult the dealer or an experienced radio/TV technician for help.

This device complies with part 15 of the FCC Rules. Operation is subject to the following two conditions:

(1) This device may not cause harmful interference, and (2) this device must accept any interference received, including interference that may cause undesired operation.

Changes or modifications not expressly approved by the party responsible for compliance could void the user's authority to operate the equipment.

The User Manual of Wireless Contact Sensor



Features

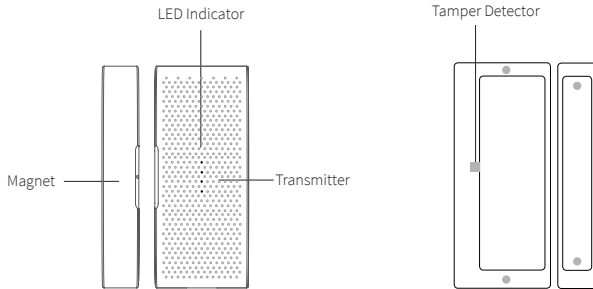
The wireless contact sensor is an accessory of smart alarm system.

It's fashion design, energy saving, and low battery warning supported. The system would inform users to replace the battery by App when needed. And it will also send users alert of opening doors/windows when system is arming or home arming. It's easy to setup and works well with most doors and windows. When transmitter and magnet are apart, the sensor triggers alarm.

Parameters

• Working Voltage	DC 3V
• Battery	1 × CR2032 button battery (3V)
• Working Current	≤40mA
• Standby Current	≤2μA
• Transmission Distance	Up to 300m without obstacle
• Transmission Frequency	433.92MHz
• Working Temperature	-10 C ~50 C
• Humidity	≤90%rh (non-condensing)
• Weight	35.5g (battery included)
• Dimension	Transmitter: 80.0mm*38.2mm*13.3mm Magnet: 80.0mm*14.8*12.9mm (L*W*H)

Appearance



LED Indication

LED flashes once: Door/window is opened and transmitter sends signal to the main panel.

The LED indicator will light up every 1 second in the event of low battery. Please replace the battery in time. Push notification will be sent to your APP.

Operating Instructions

1. Working principle

The transmitter sends trigger signal to main panel paired when the magnet mounted near is moved apart.

2. Pairing with main panel

Scanning the QR Code for Pairing.

① Scan the QR code on this accessory.

② The pairing result would be confirmed on App.

Hint: How to trigger

① Remove the battery insulating sheet.

② Move the magnet around transmitter until the red LED indicator lights up.

Installation & Notice

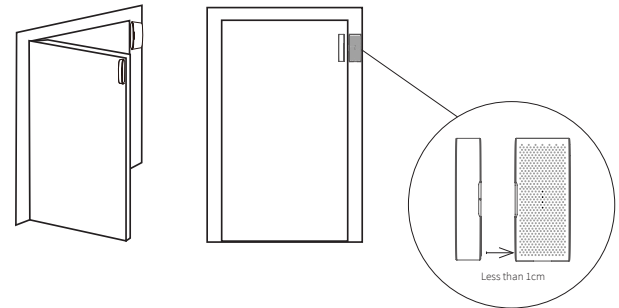
• Pull out the battery insulative strip.

• Pairing to main panel by App before installing.

• Attach the transmitter and magnet separately on door/window and its frame with double-side sticky tape or fix with screws.

• Make sure the distance between transmitter and magnet is less than 1cm and at the same level.

• Avoid installing the sensors in area with a large amount of metal or electric wire.



Entry Delay & Home Arm Settings

This product features 'Entry Delay,' 'Home Arm' and 'Ready to arm' modes and can be selected in App.

Entry Delay feature: Under Arm/Home Arm mode, in the event the sensor is triggered, the system will wait for preset time then set off the alarm.

Home Arm feature: Under Home Arm mode, when the sensor with this feature is enabled and triggered, the alarm will be set off.

Ready to arm feature: Under Arm or Home Arm mode, system will send you push notifications in the event any door/window is not closed.