

Wi-fi Camera

SE-ND201PT

# User Manual

Welcome

Thank you for purchasing a SE-ND201PT panoramic navigation Wi-fi Camera! This guide is designed to be a reference tool for the installation and operation of your security camera.

1. Download and install the latest version of the IPC360 app from the Apple App Store or Google Play Store on your smart phone or tablet.



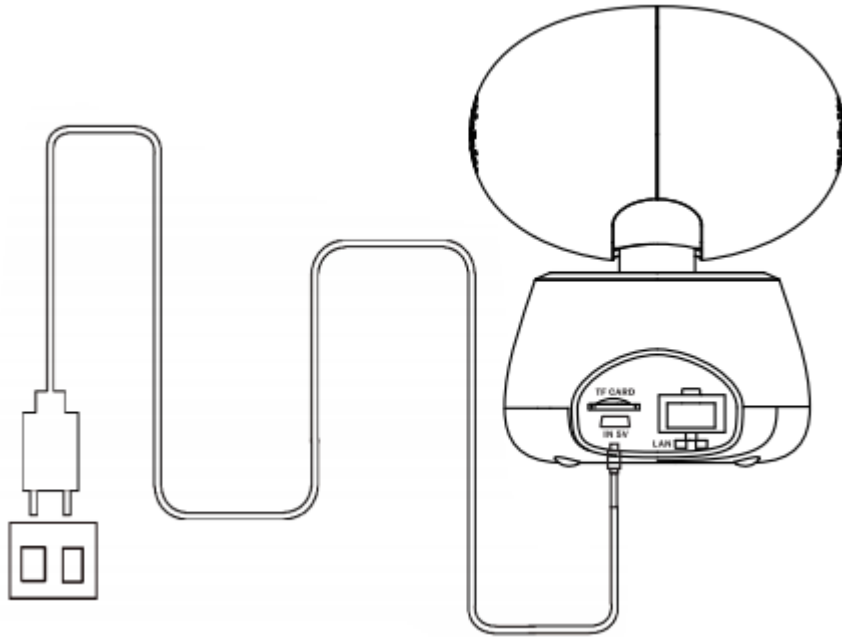
IPC360 APP QR code

Scan the IPC360 app QR code on the right to download and install, you can also search "IPC360" on the App Store or Google Play Store to download it.

Note: After installing the app, and before starting the app setup process, please make sure your phone is connected to the WIFI network you will be connecting your camera to.

## 2. Get your camera up and running

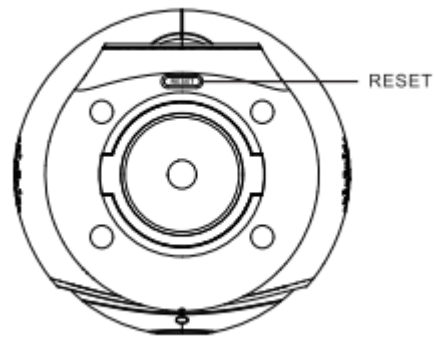
2.1 Connect the camera to the power adapter using the included USB cable, then plug the power adapter into a power outlet as shown below.



2.2 Please wait 30 seconds after plugging in the camera to allow it to initialize. The camera will begin rotating as part of its start up sequence and the red LED light on the front will blink when ready.

Note:

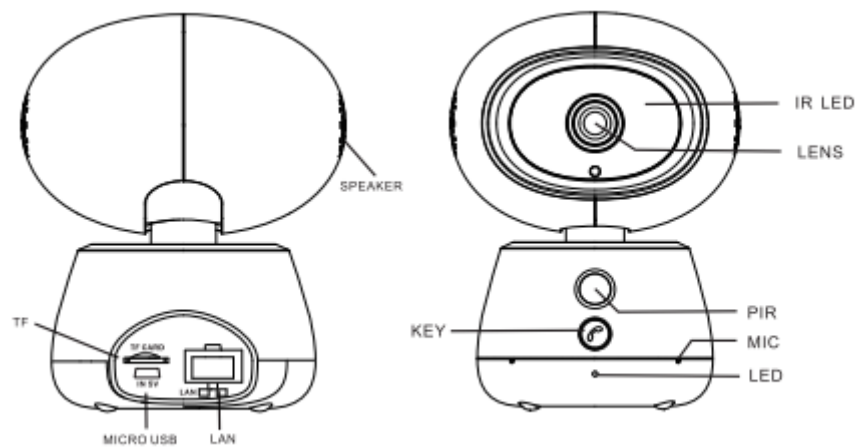
1. If the red LED light keeps on and does not blink for a long time, Hold for 3 seconds to perform a factory reset. This will reboot the camera and clear all settings to factory defaults, including previously configured Wi-Fi settings, so you can set up your camera again.
2. Never miss the moment-Put in a micro SD card to record and save motion activated events, please insert the



Micro SD card\* to the slot as shown below.

\*About the Micro SD card

- 1) Not included
- 2) Please make sure that the camera is power off before inserting it to the slot
- 3) Support 16G-128G



3. Connect the camera to your phone or tablet Open the IPC360 app on your smart phone or tablet and sign up by inputting your email address, then sign in and enter "My camera" page, tap the icon "+" in the top-right corner to add a camera. There are two ways for you to connect your camera to the app, which is smart wireless mode and wire mode.

Smart Wireless Mode:

Make sure your smart phone or tablet is connected to the same Wi-Fi router as the camera, then follow the prompts on the app to complete the connection. After inputting the Wi-Fi password and confirming the country where you live, the app will start to connect to the camera. The sound of "Di\_Di.Di" means the camera is connecting, and you can hear the "Ding-Dong" sound and "Camera Ready" from the camera when the connection is completed, then rename the camera on the app.

Wire Mode

Connect the one end of the wire to the camera, and the other end to the router, make sure your smart phone or tablet connected the network with the same router. Search and click the camera mac address, the camera will make a sound of "Ding-Dong", which means connection was completed.

Note:

1. The IPC360 system will send a verification code by email to your email account that was used for registration.

2. The camera is available to 2.4GHz band not 5GHz

3. Your Wi-Fi name and Password should not contain special characters like, @, or &.

4. Previewing live footage

Use the IPC360 app to watch real-time video on your phone. You can also record and save videos or images.

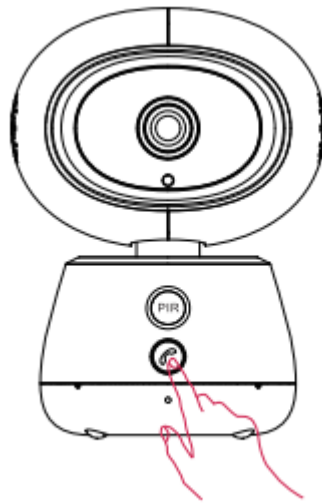


5. Reverting call PIR Alarm

IPC360 security camera possesses a special function, that is the reverting call. There is a button on the device, Every time you press it, the device will send you a message to your phone or

tablet, no matter where you are and what you are doing, as long as the network running normally. You will know what's going on there by confirming the message to watch the real-time video.

The PIR sensor alarm method greatly reduces the false alarm rate, and the effective distance is 0-5 meters stable and reliable, without error triggering, which is not affected by ambient temperature, light, noise airflow and so on.



## 6. Installing bracket

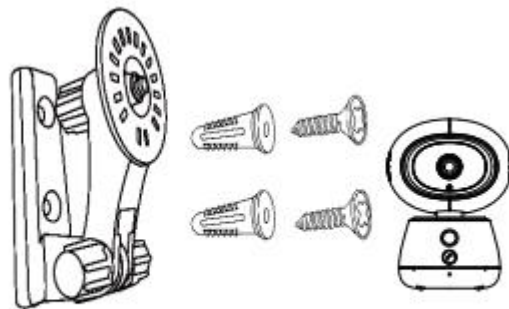
Step 1:

Fixed equipment and support installation

Step 2:

Fix the base gasket and equipment base (clamp the gasket slot

with two fingers, buckle the slot into the bottom slot, tighten in clockwise direction)



## 7. Important safety guidelines

1. Please read this instruction carefully before use.
2. Clean only with dry soft cloth.
3. This camera is for indoor use only.
4. Only use attachments/accessories specified by the manufacturer.
5. UNPLUG this apparatus during lightning storms or when unused for long periods of time.
6. To get the best usage out of this product, please consistently update to the latest versions of our app and firmware.

### WARNING:

The flame sources such as candles should not be placed near or on the product.



#### FCC Warning

This device complies with part 15 of the FCC rules. Operation is subject to the following two conditions: (1) this device may not cause harmful interference, and (2) this device must accept any interference received, including interference that may cause undesired operation.

Changes or modifications not expressly approved by the party responsible for compliance could void the user's authority to operate the equipment.

NOTE: This equipment has been tested and found to comply with the limits for a Class B digital device, pursuant to part 15 of the FCC Rules. These limits are designed to provide reasonable protection against harmful interference in a residential installation. This equipment generates uses and can radiate radio frequency energy and, if not installed and used in accordance with the instructions, may cause harmful interference to radio communications. However, there is no guarantee that interference will not occur in a particular installation. If this equipment does cause harmful interference to radio or television reception, which can be determined by turning the equipment off and on, the user is encouraged to try to correct the interference by one or more of the following measures:

-Reorient or relocate the receiving antenna.

• Increase the separation between the equipment and receiver.

• Connect the equipment into an outlet on a circuit different from that to which the receiver is connected.

• Consult the dealer or an experienced radio/TV technician for help.

#### Radiation Exposure Statement

This equipment complies with FCC radiation exposure limits set forth for an uncontrolled environment. This equipment should be installed and operated with minimum distance 20cm between the radiator and your body.