



ANSER-NET Co., Ltd

振翔科技有限公司

www.anser-net.com.tw

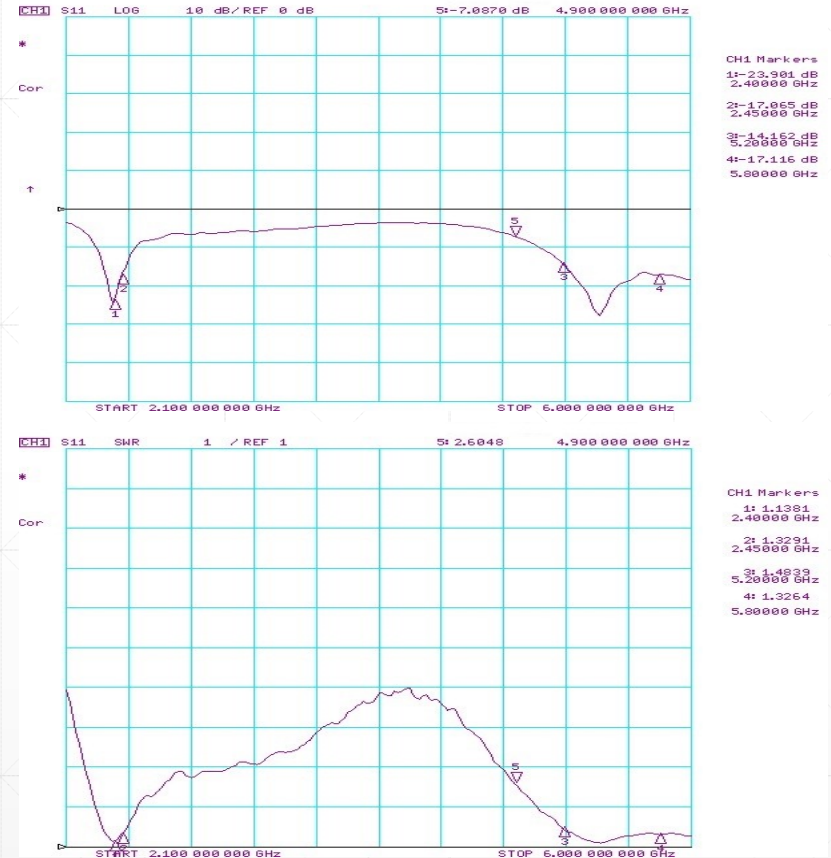


AS-SW245802SM-G

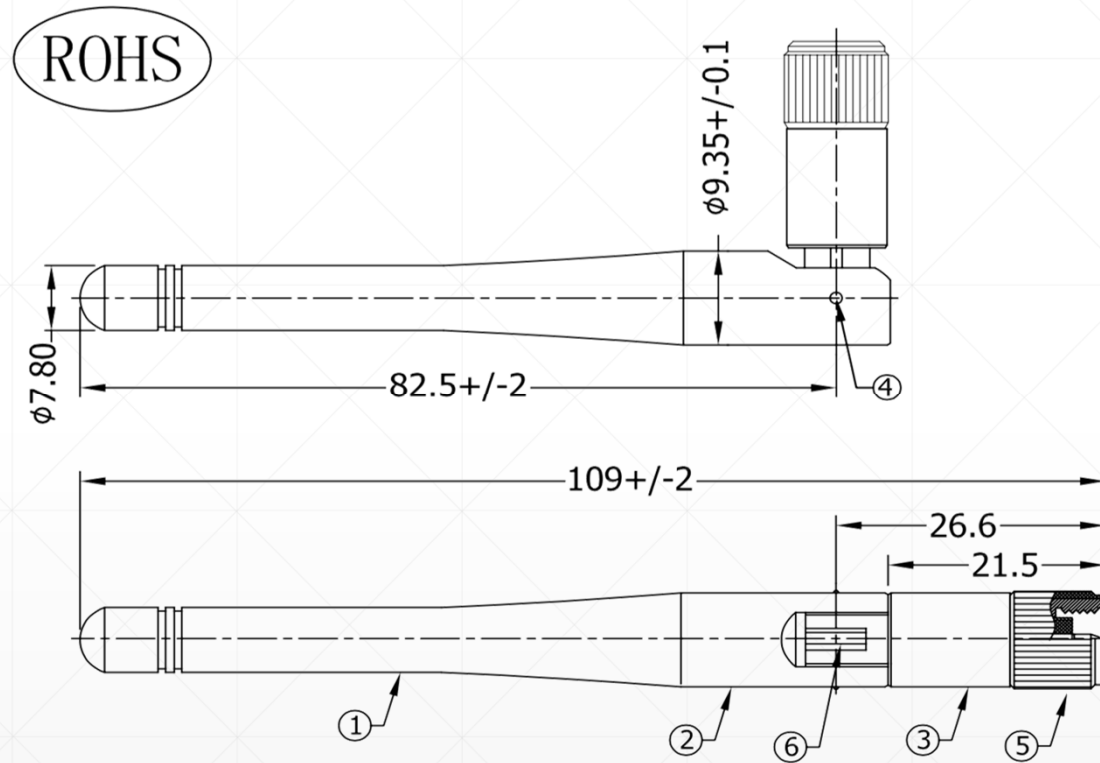
2.4/5.8GHz-2dbi for SMA male Connector Dipole Antenna

AS-SW245802SM-G (產品規格)

Model	AS-SW245802SM-G
Frequency Range	2.4/5GHz
VSWR	< 2.0
Impedance	50 Ω
Gain	2dbi
Polarization	Vertical
Power Handling	1 Watt
Connector	SMA male
Operation Temp	-30°C ~ +75°C
Material	PBT+PC
Dimension (L*W*H)	\varnothing 7.8 *109 mm
Weight	8 g
Color	Black



AS-SW245802SM-G (外觀尺寸)



1. Antenna Cap
2. Upper Base
3. Bottom Base
4. Rivet
5. SMA male Connector
6. RG-178 Cable