

FCC RADIO TEST REPORT

FCC ID:2ASN4-C100

Product: Tire pressure monitor

Trade Name: N/A

Model Name: C100

Serial Model: C110, C120, C130, C140, C150, C160, C170, C180, C190, C200, C210, C220, C230, C240, C250, C260, C270, C280, C290, C300, C310, C320, C330, C340, C350, C360, C370, C380, C390, C400, C410, C420, C430, C440, C450, C460, C470, C480, C490, C500

Report No.: UNIA19011106FR-01

Prepared for

Huizhou Chezhipin Technology Co., Ltd.

Baishi Village, Qiuchang Town, Huiyang District, Huizhou, China

Prepared by

Shenzhen United Testing Technology Co., Ltd.

2F, Annex Bldg, Jiahuangyuan Tech Park, #365 Baotian 1 Rd, Tiegang Community, Xixiang Str, Bao'an District, Shenzhen, China

TEST RESULT CERTIFICATION

Applicant's name.....: Huizhou Chezhipin Technology Co., Ltd.
Address.....: Baishi Village, Qiuchang Town, Huiyang District, Huizhou, China
Manufacture's Name.....: Huizhou Chezhipin Technology Co., Ltd.
Address.....: Baishi Village, Qiuchang Town, Huiyang District, Huizhou, China

Product description

Product name.....: Tire pressure monitor
Trade Mark.....: N/A
Model and/or type reference : C100, C110, C120, C130, C140, C150, C160, C170, C180, C190, C200, C210, C220, C230, C240, C250, C260, C270, C280, C290, C300, C310, C320, C330, C340, C350, C360, C370, C380, C390, C400, C410, C420, C430, C440, C450, C460, C470, C480, C490, C500

Standards.....: FCC Part 15 Subpart C 15.231
 ANSI C63.10: 2013

This device described above has been tested by Shenzhen United Testing Technology Co., Ltd., and the test results show that the equipment under test (EUT) is in compliance with the FCC requirements. And it is applicable only to the tested sample identified in the report.

This report shall not be reproduced except in full, without the written approval of UNI, this document may be altered or revised by Shenzhen United Testing Technology Co., Ltd., personnel only, and shall be noted in the revision of the document.

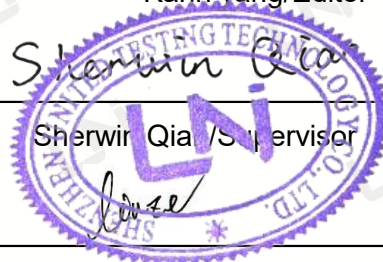
Date of Test.....: Jan. 12, 2019
Date (s) of performance of tests.....: Jan. 12, 2019 -- Mar. 11, 2019
Date of Issue.....: Mar. 11, 2019
Test Result.....: Pass

Prepared by:



Kahn yang/Editor

Reviewer:



Sherwir Qia /Supervisor

Approved & Authorized Signer:

Liuze/Manager

Table of Contents

1 TEST SUMMARY.....	4
2 GENERAL INFORMATION.....	5
2.1 ENVIRONMENTAL CONDITIONS.....	5
2.2 GENERAL DESCRIPTION OF EUT.....	5
2.3 CARRIER FREQUENCY OF CHANNELS.....	5
2.4 OPERATION OF EUT DURING TESTING.....	6
2.5 DESCRIPTION OF TEST SETUP.....	6
2.6 MEASUREMENT INSTRUMENTS LIST.....	7
3 TEST CONDITIONS AND RESULTS.....	8
3.1 CONDUCTED EMISSIONS TEST.....	8
3.2 RADIATED EMISSION TEST.....	9
3.3 -20db OCCUPIED BANDWIDTH.....	15
3.4 Deactivation Time.....	16
3.5 ANTENNA REQUIREMENT.....	18
4 PHOTOGRAPH OF TEST.....	19

1 TEST SUMMARY

TEST PROCEDURES AND RESULTS

FCC and IC Requirements		
FCC Part 15.207	Conducted Emission	N/A
FCC Part 15.231(a)(2)	Automatically Deactivate	PASS
FCC Part 15.231(b)	Electric Field Strength of Fundamental Emission	PASS
FCC Part 15.205 & 15.209 & 15.231(b)	Electric Field Strength of Spurious Emission	PASS
FCC Part 15.231(c)	-20dB bandwidth	PASS

TEST FACILITY

Test Firm : Shenzhen United Testing Technology Co., Ltd.

Address : 2F, Annex Bldg, Jiahuangyuan Tech Park, #365 Baotian 1 Rd, Tiegang Community, Xixiang Str, Bao'an District, Shenzhen, China

The testing quality ability of our laboratory meet with "Quality Law of People's Republic of China" Clause 19. The testing quality system of our laboratory meets with ISO/IEC-17025 requirements, which is approved by CNAS. This approval result is accepted by MRA of APLAC.

Our test facility is recognized, certified, or accredited by the following organizations:

CNAS-LAB Code: L6494

The EMC Laboratory has been assessed and in compliance with CNAS-CL01 accreditation criteria for testing Laboratories (identical to ISO/IEC 17025:2017 General Requirements) for the Competence of testing Laboratories.

Designation Number: CN1227

Test Firm Registration Number: 674885

The EMC Laboratory has been registered and fully described in a report filed with the (FCC) Federal Communications commission. The acceptance letter from the FCC is maintained in our files.

MEASUREMENT UNCERTAINTY

Measurement Uncertainty

Conducted Emission Expanded Uncertainty	=	2.23dB, k=2
Radiated emission expanded uncertainty(9kHz-30MHz)	=	3.08dB, k=2
Radiated emission expanded uncertainty(30MHz-1000MHz)	=	4.42dB, k=2
Radiated emission expanded uncertainty(Above 1GHz)	=	4.06dB, k=2

2 GENERAL INFORMATION

2.1 ENVIRONMENTAL CONDITIONS

During the measurement the environmental conditions were within the listed ranges:

Temperature	Normal Temperature:	26°C
Voltage	Normal Voltage	3.0V
Other	Relative Humidity	55 %
	Air Pressure	101 kPa

2.2 GENERAL DESCRIPTION OF EUT

Equipment	Tire pressure monitor
Trade Mark	N/A
Model Name	C100
Serial No.	C110, C120, C130, C140, C150, C160, C170, C180, C190, C200, C210, C220, C230, C240, C250, C260, C270, C280, C290, C300, C310, C320, C330, C340, C350, C360, C370, C380, C390, C400, C410, C420, C430, C440, C450, C460, C470, C480, C490, C500
Model Difference	All models have the same functionality, software and electronics, only the color, front frame shape and model names may differ. Test sample model:C100
FCC ID	2ASN4-C100
Antenna Type	PCB Antenna
Antenna Gain	1.0dbi
Frequency Range	433.92MHz
Number of Channels	1
Modulation Type	ASK
Battery	N/A
Power Source	DC 3V from battery
Adapter Model	N/A

2.3 CARRIER FREQUENCY OF CHANNELS

Channel	Frequency (MHz)
1	433.92

2.4 OPERATION OF EUT DURING TESTING

Operating Mode

The mode is used: Transmitting mode

2.5 DESCRIPTION OF TEST SETUP

Operation of EUT during Conducted testing: N/A

Note : This device is pure battery powered and does not require charging

Operation of EUT during Radiation and Above1GHz Radiation testing:



2.6 MEASUREMENT INSTRUMENTS LIST

Item	Equipment	Manufacturer	Model No.	Serial No.	Calibrated until
CONDUCTED EMISSIONS TEST					
1	AMN	Schwarzbeck	NNLK8121	8121370	2019.09.09
2	AMN	ETS	3810/2	00020199	2019.09.09
3	EMI TEST RECEIVER	Rohde&Schwarz	ESCI	101210	2019.09.09
4	AAN	TESEQ	T8-Cat6	38888	2019.09.09
RADIATED EMISSION TEST					
1	Horn Antenna	Sunol	DRH-118	A101415	2019.09.29
2	BicoNLog Antenna	Sunol	JB1 Antenna	A090215	2019.09.29
3	PREAMP	HP	8449B	3008A00160	2019.09.09
4	PREAMP	HP	8447D	2944A07999	2019.09.09
5	EMI TEST RECEIVER	Rohde&Schwarz	ESR3	101891	2019.09.09
6	VECTOR Signal Generator	Rohde&Schwarz	SMU200A	101521	2019.09.28
7	Signal Generator	Agilent	E4421B	MY4335105	2019.09.28
8	MXA Signal Analyzer	Agilent	N9020A	MY50510140	2019.09.28
9	MXA Signal Analyzer	Agilent	N9020A	MY51110104	2019.09.09
10	ANT Tower&Turn table Controller	Champro	EM 1000	60764	2019.09.28
11	Anechoic Chamber	Taihe Maorui	9m*6m*6m	966A0001	2019.09.09
12	Shielding Room	Taihe Maorui	6.4m*4m*3m	643A0001	2019.09.09
13	RF Power sensor	DARE	RPR3006W	15I00041SNO88	2019.03.14
14	RF Power sensor	DARE	RPR3006W	15I00041SNO89	2019.03.14
15	RF power divider	Anritsu	K241B	992289	2019.09.28
16	Wideband radio communication tester	Rohde&Schwarz	CMW500	154987	2019.09.28
17	Biconical antenna	Schwarzbeck	VHA 9103	91032360	2019.09.08
18	Biconical antenna	Schwarzbeck	VHA 9103	91032361	2019.09.08
19	Broadband Hybrid Antennas	Schwarzbeck	VULB9163	VULB9163#958	2019.09.08
20	Horn Antenna	Schwarzbeck	BBHA9120D	9120D-1680	2019.01.12
21	Active Receive Loop Antenna	Schwarzbeck	FMZB 1919B	00023	2019.11.02
22	Horn Antenna	Schwarzbeck	BBHA 9170	BBHA9170651	2019.03.14
23	Microwave Broadband Preamplifier	Schwarzbeck	BBV 9721	100472	2019.10.24
24	Active Loop Antenna	Com-Power	AL-130R	10160009	2019.05.10
25	Power Meter	KEYSIGHT	N1911A	MY50520168	2019.05.10

3 TEST CONDITIONS AND RESULTS

3.1 CONDUCTED EMISSIONS TEST

Limit

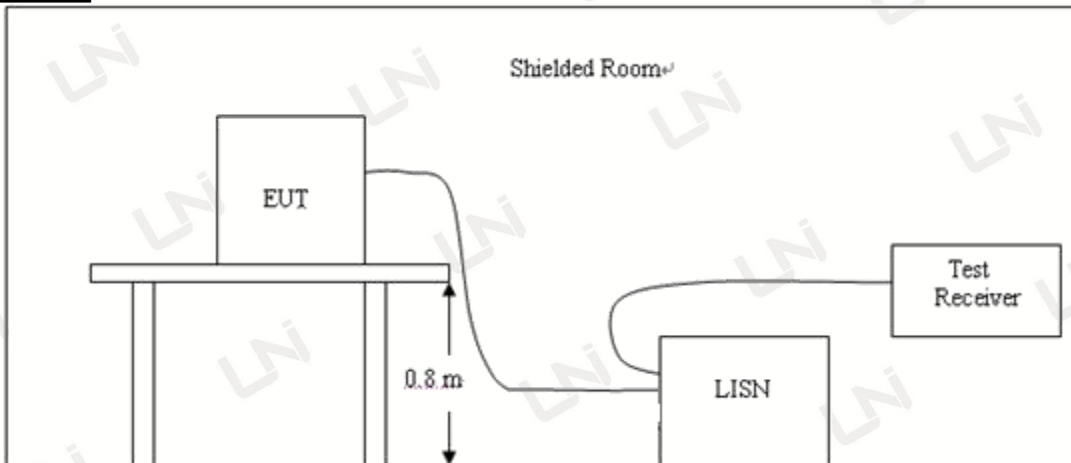
For unintentional device, according to § 15.107(a) Line Conducted Emission Limits is as following

Frequency range (MHz)	Limit (dBuV)	
	Quasi-peak	Average
0.15-0.5	66 to 56*	56 to 46*
0.5-5	56	46
5-30	60	50

* Decreasing linearly with the logarithm of the frequency

For intentional device, according to §15.207(a) Line Conducted Emission Limit is same as above table.

Test Setup



Test Procedure

- 1, The equipment was set up as per the test configuration to simulate typical actual usage per the user's manual. A wooden table with a height of 0.8 meters is used and is placed on the ground plane as per ANSI C63.10.
- 2, Support equipment, if needed, was placed as per ANSI C63.10.
- 3, All I/O cables were positioned to simulate typical actual usage as per ANSI C63.10.
- 4, If a EUT received DC power from the USB Port of Notebook PC, the PC's adapter received AC120V/60Hz power through a Line Impedance Stabilization Network (LISN) which supplied power source and was grounded to the ground plane.
- 5, All support equipments received AC power from a second LISN, if any.
- 6, The EUT test program was started. Emissions were measured on each current carrying line of the EUT using a spectrum Analyzer / Receiver connected to the LISN powering the EUT. The LISN has two monitoring points: Line 1 (Hot Side) and Line 2 (Neutral Side). Two scans were taken: one with Line 1 connected to Analyzer / Receiver and Line 2 connected to a 50 ohm load; the second scan had Line 1 connected to a 50 ohm load and Line 2 connected to the Analyzer / Receiver.
- 7, Analyzer / Receiver scanned from 150 KHz to 30MHz for emissions in each of the test modes.

Test Result

This device is pure battery powered and does not require charging.

3.2 RADIATED EMISSION TEST

Radiation Limit

For unintentional device, according to § 15.109(a), except for Class A digital devices, the field strength of radiated emissions from unintentional radiators at a distance of 3 meters shall not exceed the following values:

Frequency (MHz)	Distance (Meters)	Radiated (dBµV/m)	Radiated (µV/m)
30-88	3	40	100
88-216	3	43.5	150
216-960	3	46	200
Above 960	3	54	500

For intentional device, according to § 15.209(a), the general requirement of field strength of radiated emissions from intentional radiators at a distance of 3 meters shall not exceed the above table.

In addition to the provisions of 15.231(b) and RSS 210-A1.1.2, the field strength of emissions from intentional radiators operated under this section shall not exceed the following:

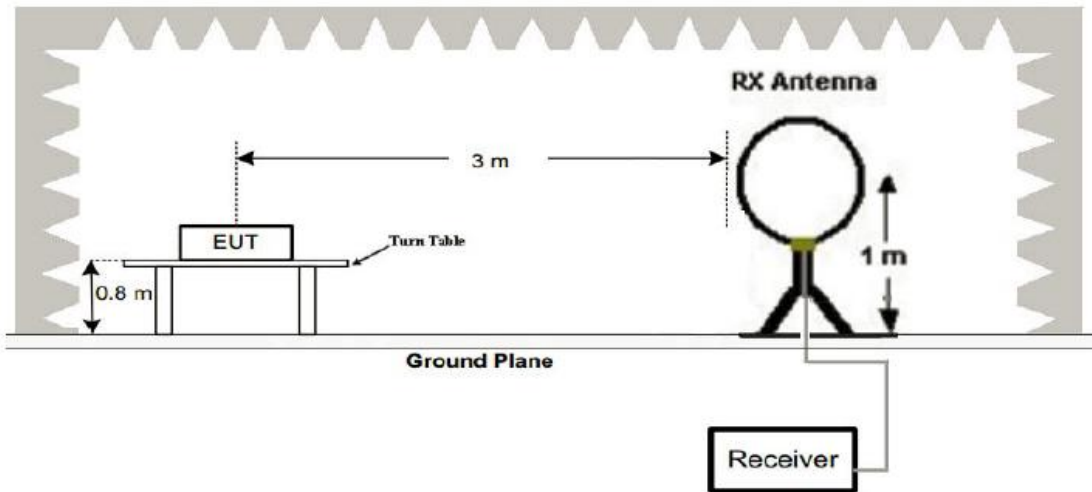
Fundamental frequency (MHz)	Field strength of fundamental (microvolts/meter)	Field strength of spurious emissions (microvolts/meter)
40.66–40.70	2,250	225
70–130	1,250	125
130–174	¹ 1,250 to 3,750	¹ 125 to 375
174–260	3,750	375
260–470	¹ 3,750 to 12,500	¹ 375 to 1,250
Above 470	12,500	1,250

¹ Linear interpolations.

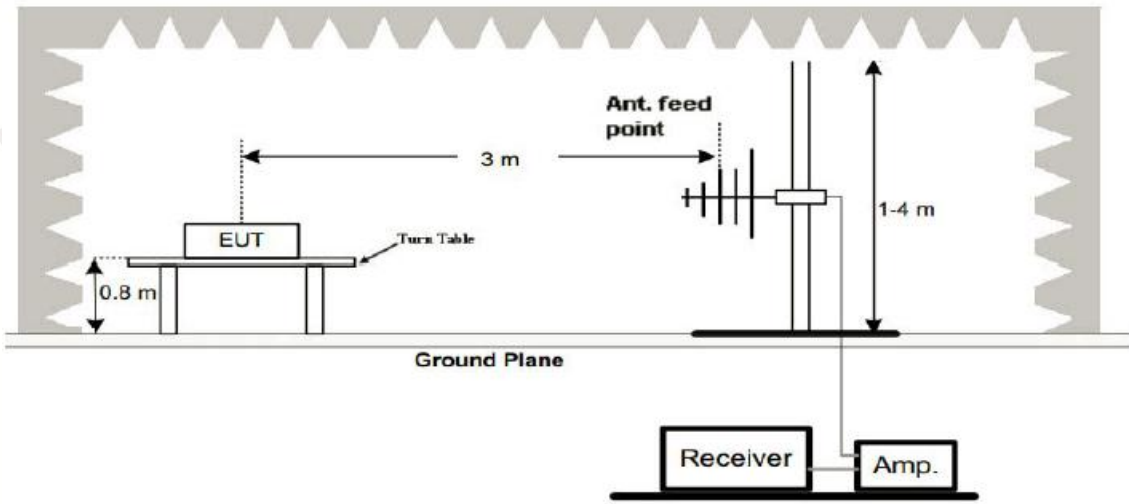
[Where F is the frequency in MHz, the formulas for calculating the maximum permitted fundamental field strengths are as follows: for the band 260-470 MHz, µV/m at 3 meters = 41.6667(F) - 7083.3333. The maximum permitted unwanted emission level is 20 dB below the maximum permitted fundamental level.]

Test Setup

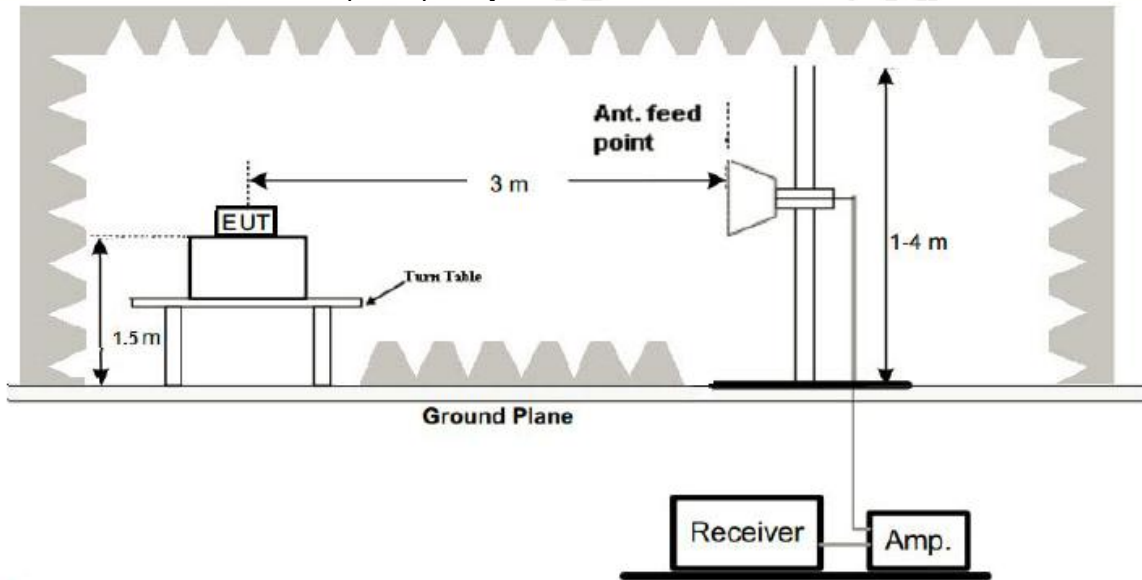
1. Radiated Emission Test-Up Frequency Below 30MHz



2. Radiated Emission Test-Up Frequency 30MHz~1GHz



3. Radiated Emission Test-Up Frequency Above 1GHz



Test Procedure

1. Below 1GHz measurement the EUT is placed on turntable which is 0.8m above ground plane. And above 1GHz measurement EUT was placed on low permittivity and low tangent turn table which is 1.5m above ground plane.
2. The turntable shall be rotated for 360 degrees to determine the position of maximum emission level.
3. EUT is set 3m away from the receiving antenna, which is varied from 1m to 4m to find out the highest emissions.
4. Maximum procedure was performed on the six highest emissions to ensure EUT compliance.
5. And also, each emission was to be maximized by changing the polarization of receiving antenna both horizontal and vertical.
6. Repeat above procedures until the measurements for all frequencies are complete.
7. The test frequency range from 9kHz to 25GHz per FCC PART 15.33(a).

Note:

For battery operated equipment, the equipment tests shall be performed using a new battery.

Test Result

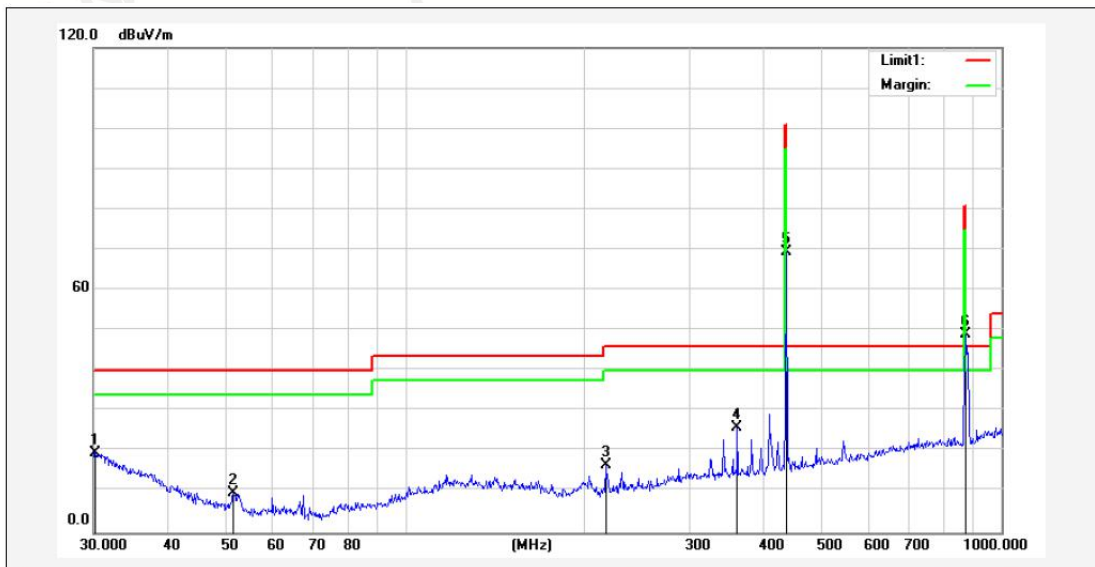
---PASS---

Remark:

1. All the test modes completed for test. The worst case of Radiated Emission is Middle channel, the test data of this mode was reported.
2. By preliminary testing and verifying three axis (X, Y and Z) position of EUT transmitted status, it was found that "Z axis" position was the worst, and test data recorded in this report.
- 3 Radiated emission test from 9KHz to 10th harmonic of fundamental was verified, and no emission found except system noise floor in 9KHz to 30MHz and not recorded in this report.
- 4.The prototype continues to emit signals during the radiation test.Fixed frequency prototype duty cycle 100%.

Below 1GHz Test Results:

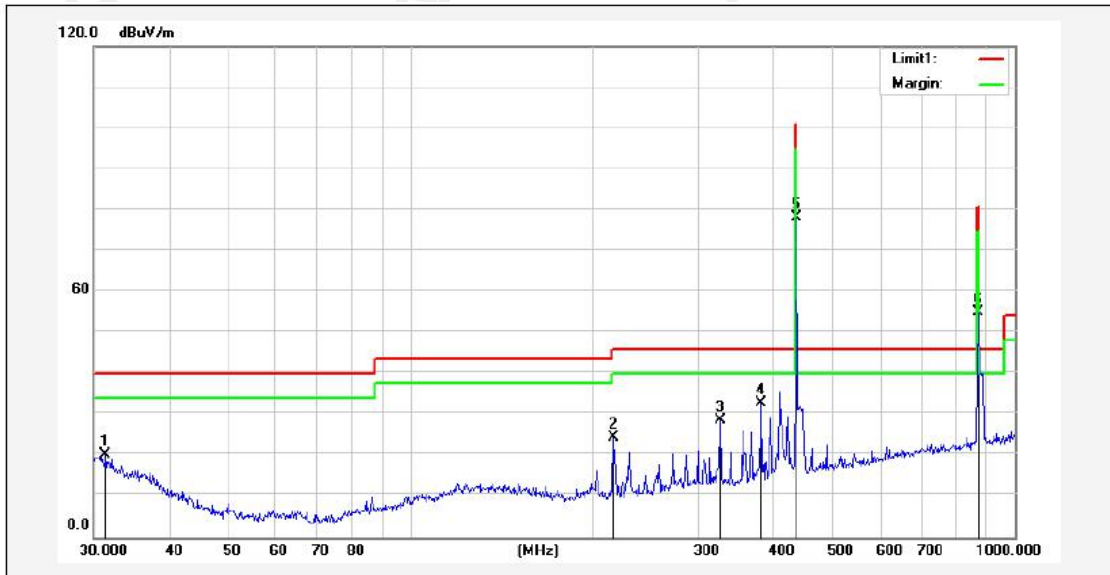
Temperature:	24°C	Relative Humidity:	49%
Test Date:	Mar. 08, 2019	Pressure:	1010hPa
Test Voltage:	DC 3V	Polarization:	Horizontal
Test Mode:	Continuous launch		



No.	Frequency (MHz)	Reading (dBuV)	Correction factor(dB/m)	Result (dBuV/m)	Limit (dBuV/m)	Margin (dB)	Degree (deg.)	Height (cm)	Remark
1	30.2110	27.13	-7.33	19.80	40.00	-20.20			peak
2	51.4806	31.72	-22.00	9.72	40.00	-30.28			peak
3	216.7828	34.61	-17.97	16.64	46.00	-29.36			peak
4	360.4476	39.70	-13.80	25.90	46.00	-20.10			peak
5	434.0652	81.96	-12.63	69.33	100.85	-31.52			peak
6*	869.0352	56.43	-7.38	49.05	80.85	-31.80			peak

Remark: Absolute Level= Reading Level+ Factor, Margin= Absolute Level – Limit
 Factor=Ant. Factor + Cable Loss – Pre-amplifier

Temperature:	24°C	Relative Humidity:	49%
Test Date:	Mar. 08, 2019	Pressure:	1010hPa
Test Voltage:	DC 3V	Polarization:	Vertical
Test Mode:	Continuous launch		



No.	Frequency (MHz)	Reading (dBuV)	Correction factor(dB/m)	Result (dBuV/m)	Limit (dBuV/m)	Margin (dB)	Degree (deg.)	Height (cm)	Remark
1	31.3992	28.63	-8.44	20.19	40.00	-19.81			peak
2	216.7828	42.49	-17.97	24.52	46.00	-21.48			peak
3	326.7395	42.96	-14.19	28.77	46.00	-17.23			peak
4*	381.2487	46.53	-13.74	32.79	46.00	-13.21			peak
5	434.0562	90.65	-12.63	78.02	100.85	-22.83			peak
6	869.0302	62.53	-7.41	55.12	80.85	-25.73			peak

Remark: Absolute Level= Reading Level+ Factor, Margin= Absolute Level – Limit
 Factor=Ant. Factor + Cable Loss – Pre-amplifier

Note: Testing is carried out with frequency rang 30MHz to the tenth harmonics, which above 5th Harmonics are attenuated more than 20dB below the permissible limits or the field strength is too small to be measured.

The fundamental frequency is 433.92MHz, so the fundamental and spurious emissions radiated limit base on the the operating frequency 433.92MHz.

Above 1 GHz Test Results:

Horizontal:

Frequency (MHz)	Reading Result (dBμV)	Factor (dB)	Emission Level (dBμV/m)	Limits (dBμV/m)	Margin (dB)	Detector Type
1301.8	60.62	-5.34	55.28	74	-18.72	PK
1301.8	51.04	-5.34	45.70	54	-8.30	AV
1735.7	59.66	-5.02	54.64	74	-19.36	PK
1735.7	50.68	-5.02	45.66	54	-8.34	AV
2169.6	58.21	-4.76	53.45	74	-20.55	PK
2169.6	47.15	-4.76	42.39	54	-11.61	AV

Remark: Factor = Antenna Factor + Cable Loss – Pre-amplifier. Margin= Absolute Level – Limit

Vertical:

Frequency (MHz)	Reading Result (dBμV)	Factor (dB)	Emission Level (dBμV/m)	Limits (dBμV/m)	Margin (dB)	Detector Type
1301.8	61.85	-5.34	56.51	74	-17.19	PK
1301.8	51.62	-5.34	46.28	54	-7.72	AV
1735.7	60.58	-5.02	55.56	74	-18.44	PK
1735.7	50.44	-5.02	45.42	54	-8.58	AV
2169.6	58.07	-4.76	53.31	74	-20.69	PK
2169.6	47.85	-4.76	43.09	54	-10.91	AV

Remark: Factor = Antenna Factor + Cable Loss – Pre-amplifier. Margin= Absolute Level – Limit

Note: Testing is carried out with frequency rang 30MHz to the tenth harmonics, which above 5th Harmonics are attenuated more than 20dB below the permissible limits or the field strength is too small to be measured.

The fundamental frequency is 433.92MHz, so the fundamental and spurious emissions radiated limit base on the the operating frequency 433.92MHz.

For average Emission

Frequency (MHz)	PK Level(dB μ V/m)	PK Limit line(dB μ V/m)	Over Limits(dB)	Polarization
433.92	69.33	100.85	-31.52	Horizontal
433.92	78.02	100.85	-22.83	Vertical

Notes: Peak emission Level = 20log [41.6667(F) - 7083.3333]

Frequency (MHz)	AV Level(dB μ V/m)	AV Limit line(dB μ V/m)	Over Limits(dB)	Polarization
433.92	69.33	80.85	-11.52	Horizontal
433.92	78.02	80.85	-2.83	Vertical

Notes: Average emission Level = Peak Level + Duty cycle factor

Duty cycle factor = 0dB μ V/m

3.3 -20db OCCUPIED BANDWIDTH

Limit

According to 47 CFR 15.231(c) The bandwidth of the emission shall be no wider than 0.25% of the centre frequency for devices operating above 70MHz and below 900MHz. Bandwidth is determined at the points 20dB down from the modulated carrier.

Test Procedure

The transmitter output was connected to the spectrum analyzer through an attenuator. The bandwidth of the fundamental frequency was measured by spectrum analyzer with 30 KHz RBW and 100 KHz VBW. The 20dB bandwidth is defined as the total spectrum the power of which is higher than peak power minus 20dB.

Test Configuration



Test Result

---PASS---

Modulation	Channel Frequency (MHz)	99% OBW (KHz)	20dB bandwidth (KHz)	Limit (KHz)	Result
ASK	433.92	64.042	75.53	$0.25\% * 433.92 = 1084.8$	Pass



3.4 Deactivation Time

LIMIT

According to FCC §15.231(a)(2), A transmitter activated automatically shall cease transmission within 5 seconds after activation.

TEST PROCEDURE

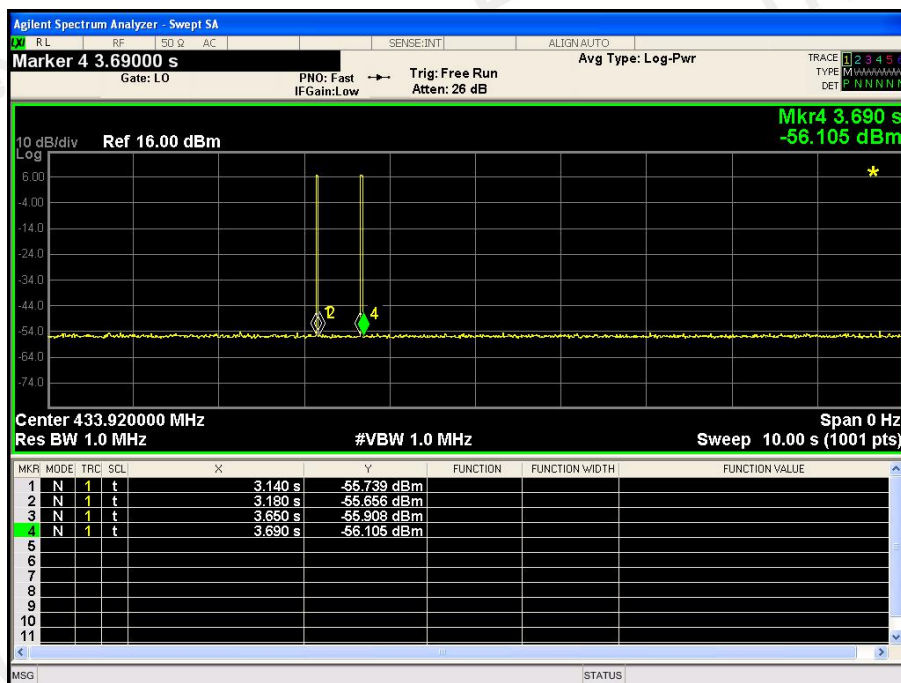
1. The EUT was placed on a wooded table which is 0.8m height and close to receiver antenna of spectrum analyzer.
2. The spectrum analyzer resolution bandwidth was set to 1 MHz and video bandwidth was set to 1 MHz to encompass all significant spectral components during the test. The spectrum analyzer was operated in linear scale and zero span mode after tuning to the transmitter carrier frequency.

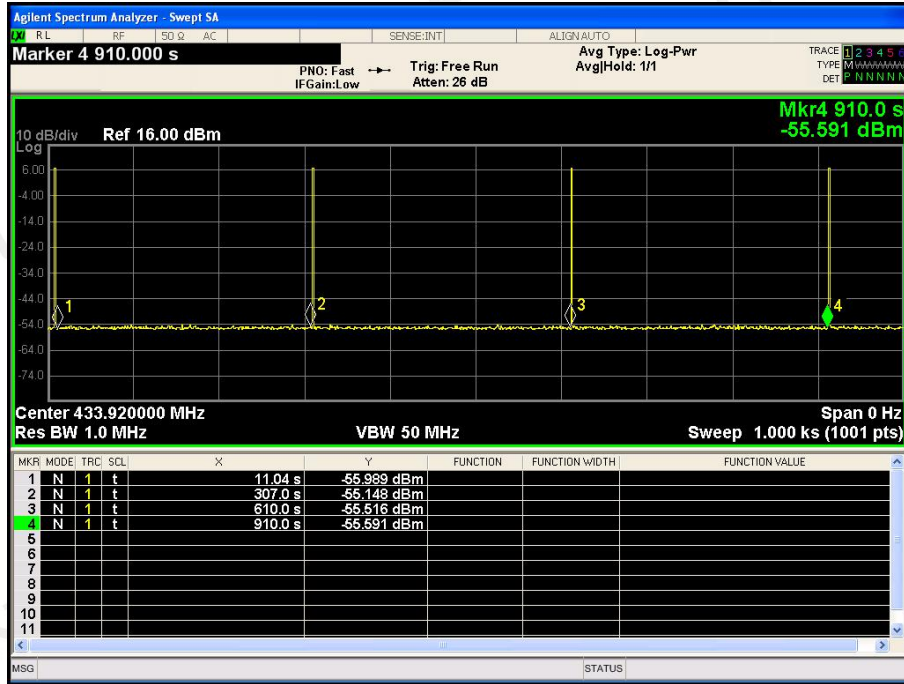
Test Configuration



TEST RESULTS

Frequency (MHz)	One transmission time (S)	Limit(S)	Result
433.92	0.08	5	Pass





3.5 ANTENNA REQUIREMENT

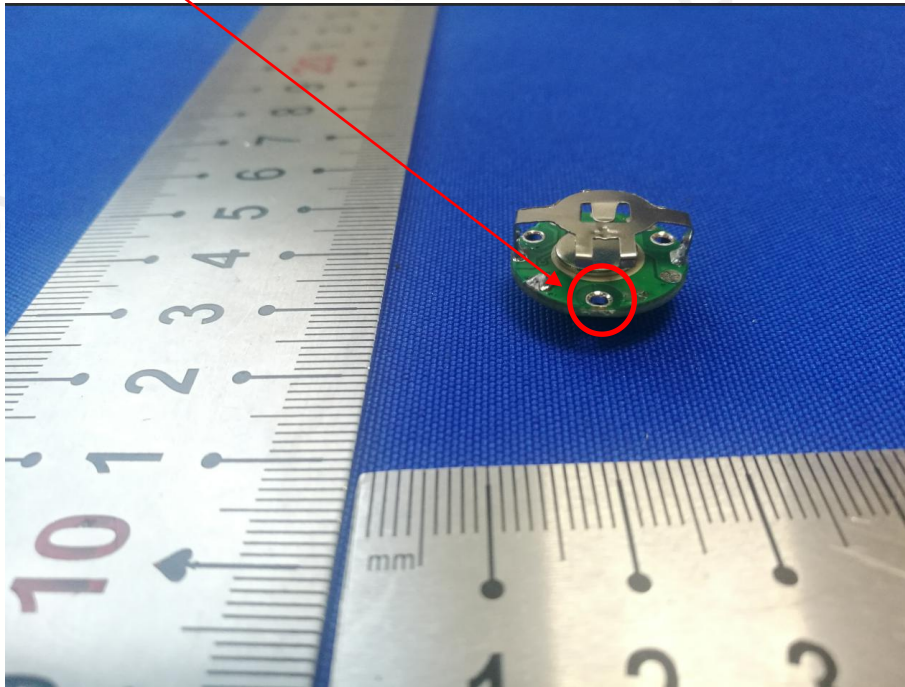
Standard Applicable:

For intentional device, according to FCC 47 CFR Section 15.203, an intentional radiator shall be designed to ensure that no antenna other than that furnished by the responsible party shall be used with the device.

Antenna Connected Construction

The antenna used in this product is an Integral Antenna, the directional gains of antenna used for transmitting is 1.0dbi

ANTENNA



4 PHOTOGRAPH OF TEST

Radiated Emission



***** End of Report *****